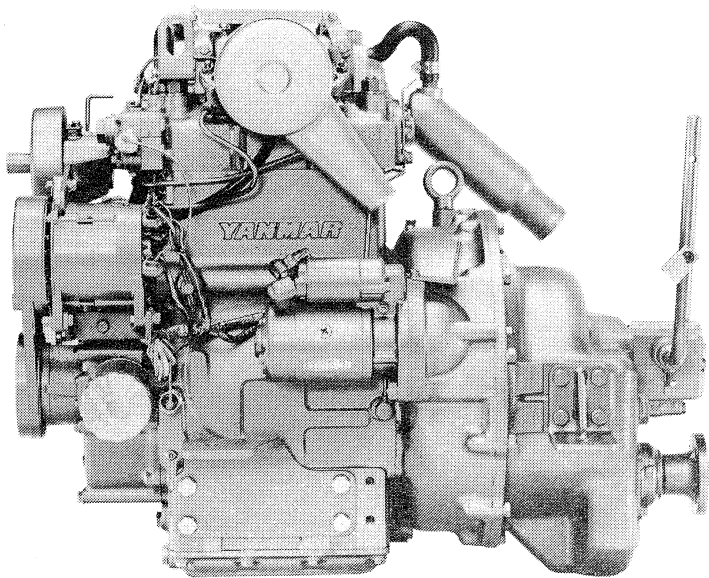


OCR10-M09109EN

Introduction

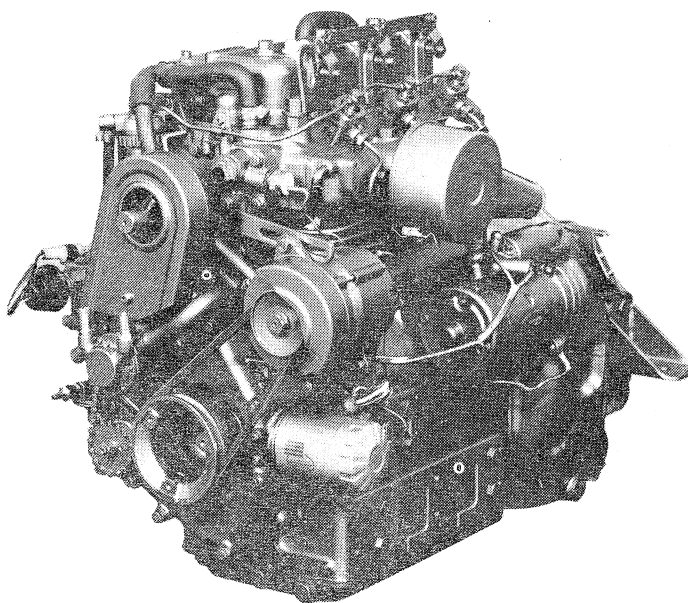
1. This is the parts catalog for 2QM20, 3QM30, 2QM, 3QM Diesel engine.
(Parts catalog No. 000Y00R0919)
2. This parts catalog does not contain the technical data needed for maintenance service.
3. The illustrations used in this parts catalog have been simplified for clarity.
4. The contents of this parts catalog are subject to change without notice.
5. Be sure to use only Yanmar genuine part for repairs. If imitation parts are used, it may cause engine defects.

Export Models (貿易用機関)



2QM20

First Published: May, 1973
First Revised: May, 1975
Second Revised: July, 1976
3rd Revised: June, 1977
4th Revised: September, 1979



3QM30

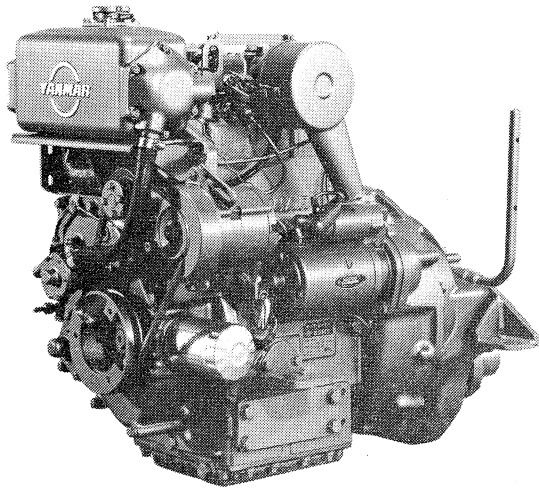
MODEL 2QM20 · 3QM30

September, 1979

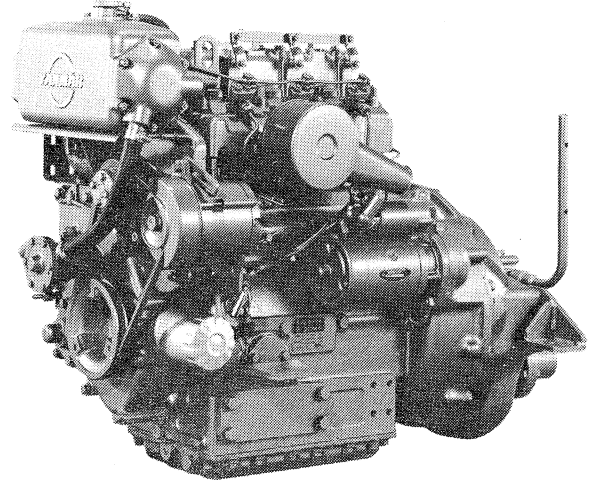
Pub. No. 000Y00R0919

国内用機関

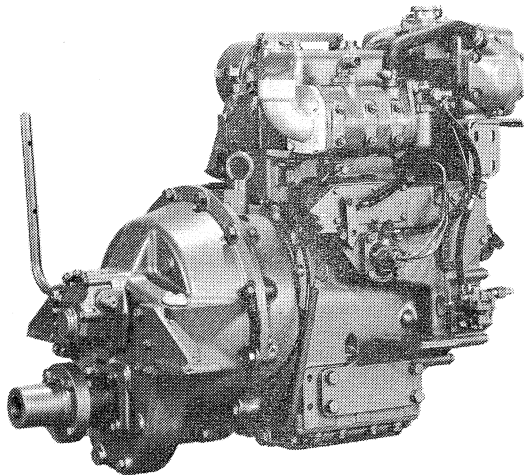
(Domestic Models)



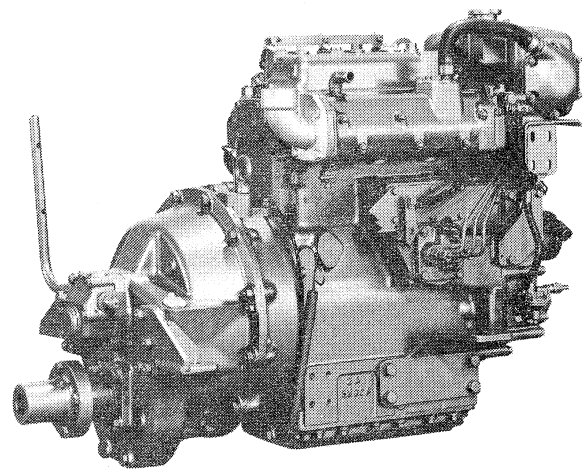
2QM



3QM



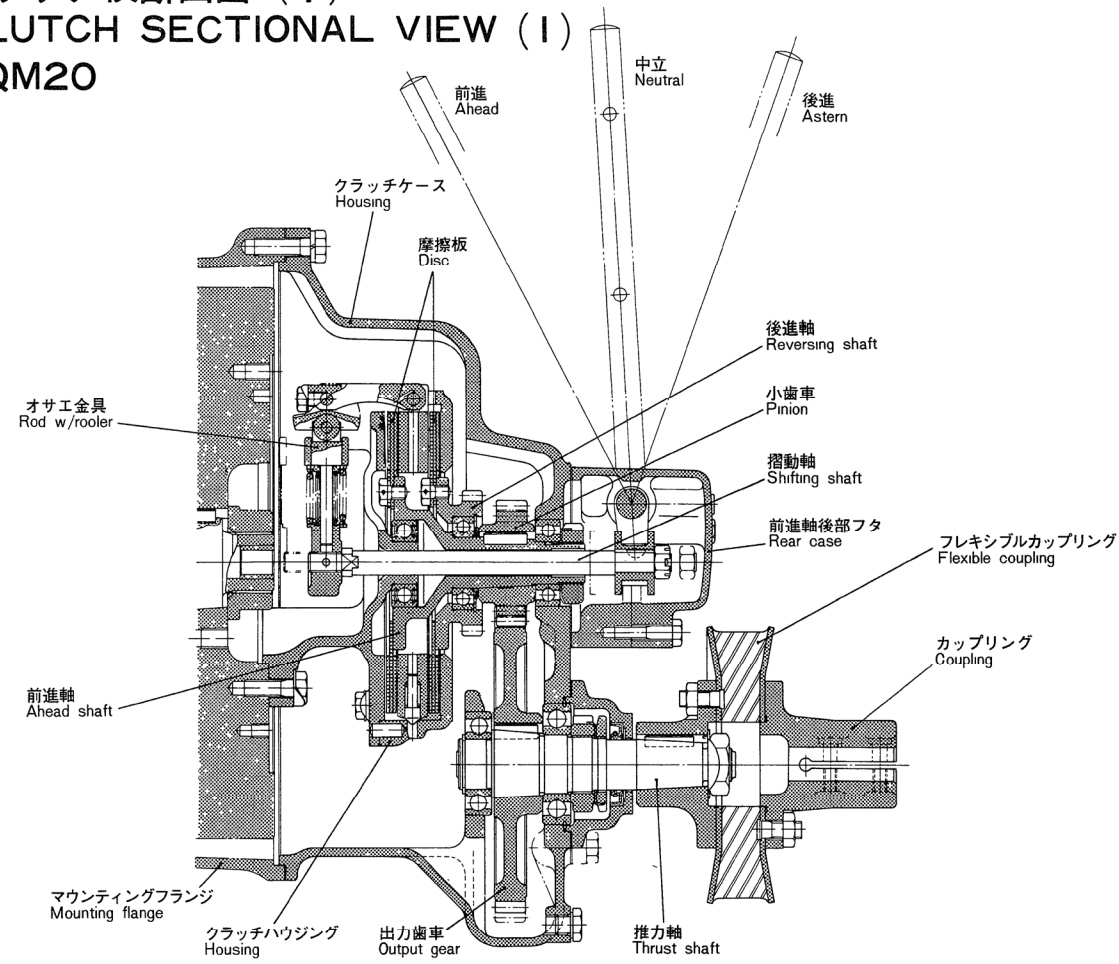
2QM



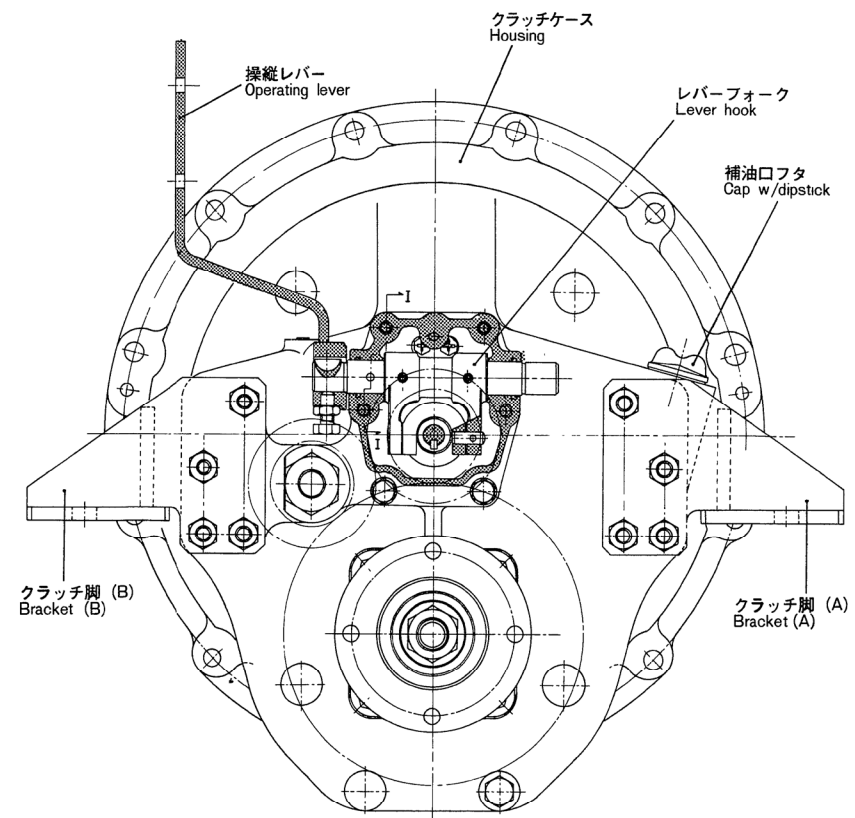
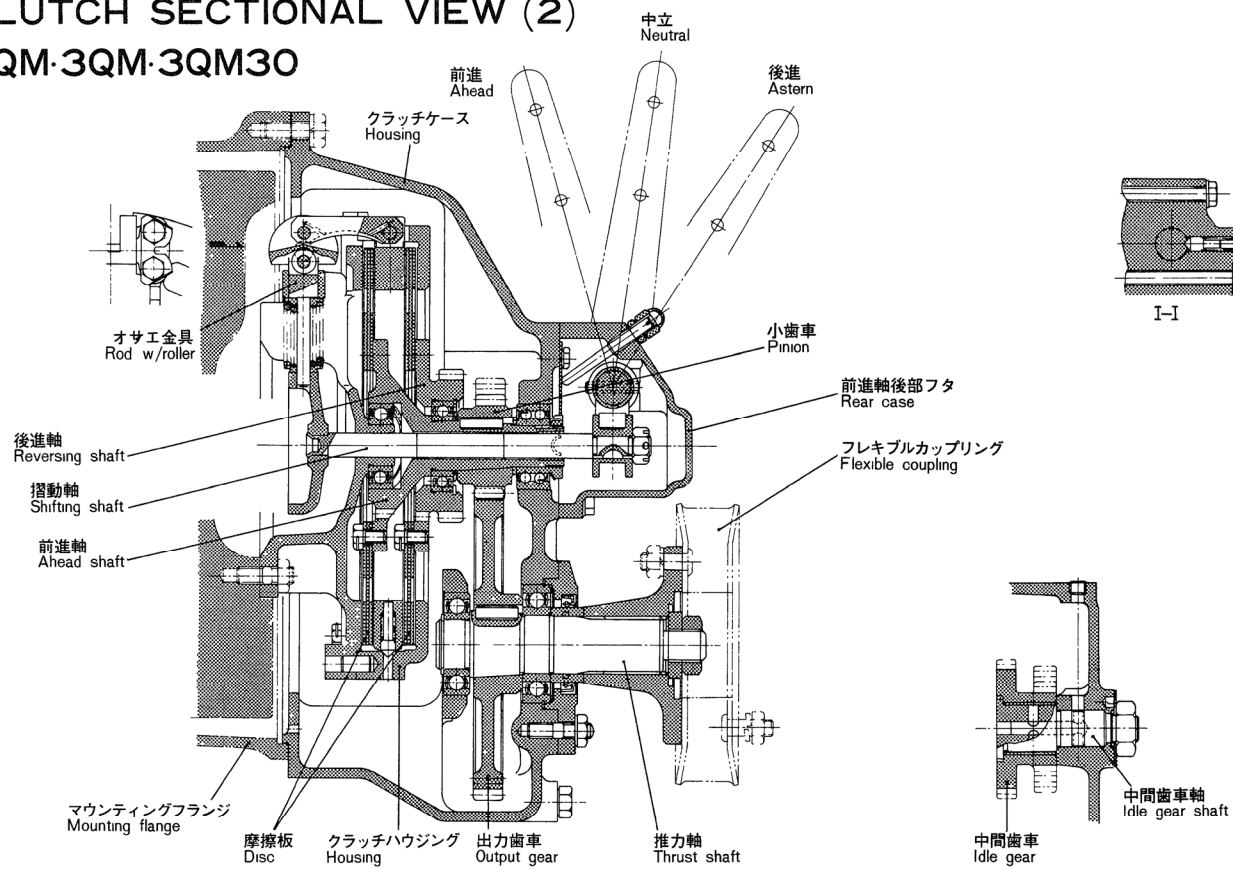
3QM

MODEL **2QM·3QM**

クラッチ横断面図 (1)
CLUTCH SECTIONAL VIEW (1)
2QM20



クラッチ横断面図 (2)
CLUTCH SECTIONAL VIEW (2)
2QM・3QM・3QM30

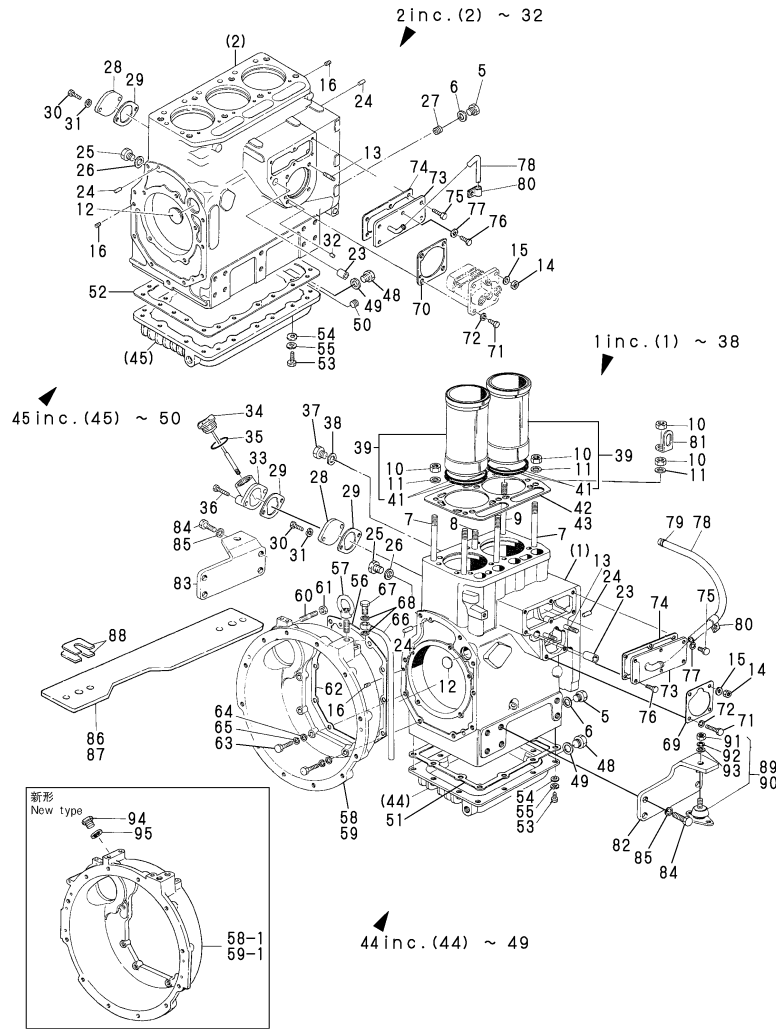


Contents

Fig. No.	Fig. Name
2QM(20)/3QM(30)	
1.	CYLINDER BLOCK
2.	GEAR HOUSING
3.	CYLINDER HEAD
4.	SILENCER & EXHAUST MANIFOLD
5.	CAMSHAFT
6.	MAIN METAL & CRANKSHAFT
7.	PISTON & CONNECTING ROD
8.	LUB.OIL SYSTEM
9.	C.S.W.PUMP & BILGE PUMP
10.	C.S.W.PUMP & BILGE PUMP
11.	C.F.W.PUMP & C.F.W.COOLER
12.	COOLING WATER SYSTEM
13.	FUEL INJECTION PUMP
14.	FUEL INJECTION VALVE
15.	FUEL SYSTEM
16.	REMOTE-CONTROL DEVICE(OPTIONAL)
17.	GOVERNOR
18.	HAND STARTING MECHANISM
19.	STARTING MOTOR & GENERATOR
20.	INSTRUMENT PANEL
21.	INSTRUMENT PANEL
22.	CLUTCH HOUSING
23.	FRICTION DISC & AHEAD SHAFT
24.	IDLE GEAR SHAFT & THRUST SHAFT

Fig. No.	Fig. Name
25.	TOOL
26.	SPECIAL TOOL(OPTIONAL)
27.	PACKING KIT(OPTIONAL)
28.	SPAIR PART KIT
29.	REPAIR KIT FOR INSPECTION
30.	GENERATOR COMPONENT PART
31.	STARTING MOTOR COMPONENT PART(12V 1.0KW)
32.	STARTING MOTOR COMPONENT PART(12V 1.8KW)
33.	CLUTCH KBW-10A(FOR 2QM20)(OPTIONAL)
34.	CLUTCH KH-18A(FOR 3QM30)(OPTIONAL)
35.	SPECIAL TOOL(KBW-10A & KH18-A)

Fig.1. CYLINDER BLOCK



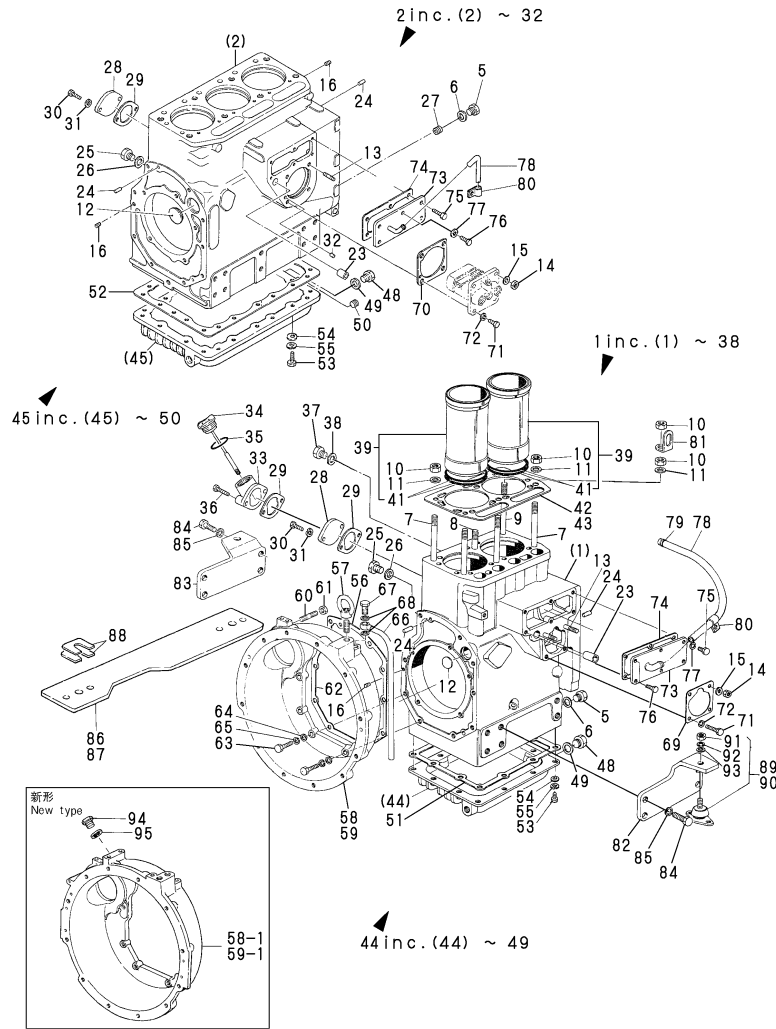
Remarks

- (1)CYL.BLOCK ASSY FOR 2QM OR 2QM20 CONTAINS THE ABOVE-MENTIONED PART FROM REF.NO.33 UP TO REF.NO.38 AS EXTRAS IN ORDER TO MAKE THE ASSY INTERCHGEABLE WITH CYL.BLOCK ASSY OF TORACTOR. THUS,PAY MUCH ATTEN-TION TO THIS REGARD AT THE TIME OF REPAIRRING OR REASSEMBLY. PLEASE BE SURE TO REMOVE.
- (2)REFER TO FIG.6 FOR ILLUSTRATED.
- (3)OPTIONAL(SELECTION USE PARATS)

(A)=2QM20
(B)=3QM30
(C)=2QM
(D)=3QM
(E)=
(F)=

No.	Lev.	Parts No.	Description	Q'ty						I	R
				(A)	(B)	(C)	(D)	(E)	(F)		
1	1	724465-01561	BLOCK ASSY, CYLINDER	1		1					
2	2	721370-01560	BLOCK ASSY, CYLINDER		1		1				
5	2	23897-020002	PLUG PF1/4,HEX.	1	1	1	1				
5-1	2	124160-01910	PLUG, PT1/4	1		1					N
		(A=*1976.11)	(C=*1976.11)								
6	2	23414-120000	GASKET, 12X1.0	1	1	1	1				
6-1	2	23414-120000	GASKET, 12X1.0	1		1					Z
		(A=*1976.11)	(C=*1976.11)								
7	2	124450-01210	BOLT, HEAD	4	7	4	7				
8	2	124450-01220	BOLT, HEAD	1		1					
9	2	124450-01230	BOLT, HEAD	1	1	1	1				
10	2	124450-01250	NUT, CYLINDER HEAD	7	9	7	9				
11	2	124450-01240	WASHER	6	8	6	8				
12	2	27231-400000	PLUG 40	1	1	1	1				
12-1	2	27233-400000	PLUG, 40	1	1	1	1				N
		(A=EXXX)	(B=EXXX)	(C=EXXX)	(D=EXXX)						
13	2	26216-080222	STUD, M8X 22	2	2	2	2				
14	2	26716-080002	NUT, M8	2	2	2	2				
15	2	43400-500410	SEAL WASHER 8S	2	2	2	2				
16	2	124060-01050	PLUG, PT1/8	2	2	2	2				W
		(A=EXXX)	(B=EXXX)	(C=EXXX)	(D=EXXX)						
17	2	724465-02500	HOUSING ASSY, METAL	1		1					2
18	2	721250-02500	HOUSING ASSY, METAL		1		1				2
19	2	124460-02150	GASKET	1	1	1	1				2
20	2	26116-100252	BOLT, M10X 25 PLATED	5	5	5	5				2
21	2	22217-100000	WASHER, SPRING 10	5	5	5	5				2
22	2	121250-02100	BEARING, MAIN	1	1	1	1				2
23	2	124550-01900	BUSH	1	1	1	1				
24	2	22312-080160	PIN, PARALLEL M8X16	4	4	4	4				
25	2	23887-100002	PLUG, 10	1	3	1	3				
25-1	2	23883-100002	PLUG, 10	1	3	1	3				N
		(A=EXXX)	(B=EXXX)	(C=EXXX)	(D=EXXX)						
26	2	121250-01990	GASKET	1	3	1	3				
27	2	124160-01910	PLUG, PT1/4		1		1				
28	2	124772-01400	COVER, CRANK CASE	1	1	1	1				
29	2	124160-34842	GASKET	1	1	1	1				
29-1	2	124160-34843	GASKET	1	1	1	1				N
		(A=EXXX)	(B=EXXX)	(C=EXXX)	(D=EXXX)						
29-2	2	124160-34844	GASKET	1	1	1	1				N
		(A=EXXX)	(B=EXXX)	(C=EXXX)	(D=EXXX)						
30	2	26116-080162	BOLT, M8X 16 PLATED	2	2	2	2				
31	2	22212-080000	SPRING WASHER 8	2	2	2	2				
31-1	2	22217-080000	WASHER, SPRING 8	2	2	2	2				N
		(A=EXXX)	(B=EXXX)	(C=EXXX)	(D=EXXX)						
32	2	22312-040100	PARALLEL PIN 4X10		1		1				
33	2	121250-01520	FLANGE	1	1						1
33-1	2	121250-01522	FLANGE	1	1						N 1
		(A=EXXX)	(C=EXXX)								
34	2	121250-01791	COVER ASSY	1	1						1
35	2	24321-000350	O-RING, 1AG35.0	1	1						1
36	2	26116-080352	BOLT, M8X 35 PLATED	2	2						1

Fig.1. CYLINDER BLOCK

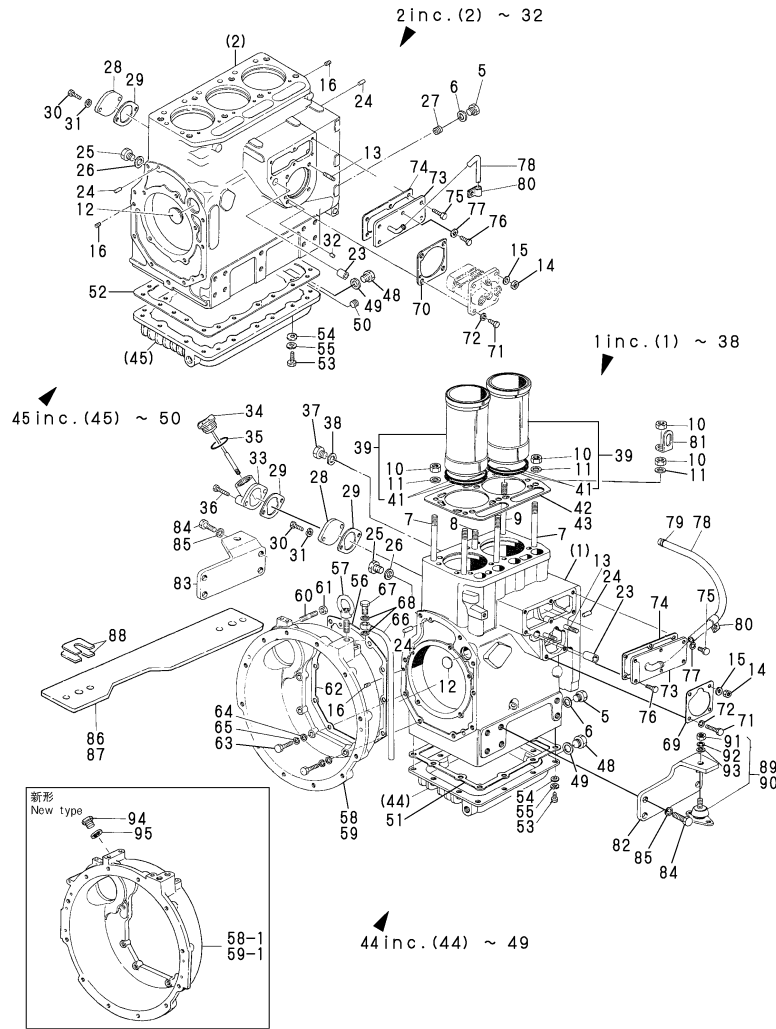


No.	Lev.	Parts No.	Description	Q'ty						I	R
				(A)	(B)	(C)	(D)	(E)	(F)		
37	2	124450-01960	PLUG, DRAIN	1	1						1
38	2	124450-01980	GASKET	1	1						1
39	1	724770-01900	LINER ASSY, CYLINDER	2	3	2	3				
41	2	124550-01300	GASKET, LINER	4	6	4	6				
42	1	124750-01331	GASKET, HEAD	1	1						
42-1	1	124772-01330	GASKET, HEAD	1	1						N
(A=*1976.12) (C=*1976.12)											
43	1	121370-01330	GASKET, HEAD		1		1				
43-1	1	121370-01331	GASKET, HEAD		1		1				N
(B=*1976.12) (D=*1976.12)											
44	1	724772-01540	SUMP ASSY, OIL	1		1					
45	1	721370-01540	SUMP ASSY, OIL		1		1				
48	2	23884-160002	PLUG 16	1	1	1	1				
48-1	2	23883-160002	PLUG, 16	1	1	1	1				N
(A=EXXX) (B=EXXX) (C=EXXX) (D=EXXX)											
49	2	23414-160000	GASKET, 16X1.0	1	1	1	1				
50	2	23873-020000	PLUG, R02		1		1				
51	1	124465-01750	GASKET, OIL SUMP	1		1					
51-1	1	124465-01751	GASKET	1		1					N
(A=EXXX) (C=EXXX)											
52	1	121250-01750	GASKET, OIL SUMP		1		1				
52-1	1	121250-01751	GASKET, OIL SUMP		1		1				N
(B=EXXX) (D=EXXX)											
53	1	26113-080302	BOLT M 8X 30	16	20	16	20				
54	1	22113-080000	WASHER, 8	16	20	16	20				
55	1	189040-01860	SPRING WASHER 8	16	20	16	20				
56	1	124770-07210	BOLT, LIFTING	1	1	1	1				
57	1	26620-120002	NUT, EYE M12	1	1	1	1				
58	1	124772-01600	FLANGE, MOUNTING	1							
58-1	1	124790-01601	FLANGE, MOUNTING	1							S
(A=E/#84249)											
59	1	124790-01600	FLANGE, MOUNTING		1	1	1				
59-1	1	124790-01601	FLANGE, MOUNTING		1	1	1				N
(B=E/#81052) (C=E/#81097) (D=E/#81061)											
60	1	26226-120252	STUD, M12X 25	2	2	2	2				
61	1	26716-120002	NUT, M12	2	2	2	2				
62	1	124772-01610	GASKET	1	1	1	1				
63	1	26116-100382	BOLT M10X 38 PLATED	9	9	9	9				
64	1	22137-100000	WASHER, 10	9	9	9	9				
65	1	22212-100000	WASHER, 10	9	9	9	9				
65-1	1	22217-100000	WASHER, SPRING 10	9	9	9	9				N
(A=EXXX) (B=EXXX) (C=EXXX) (D=EXXX)											
66	1	124770-03200	PIPE ASSY, BREATHER	1	1	1	1				
67	1	101147-59810	BOLT, PIPE JOINT M8	1	1	1	1				
68	1	23414-080000	GASKET, 8X1.0	2	2	2	2				
69	1	124550-51950	SHIM SET, ADJUSTING	1		1					
69-1	1	124550-51951	SHIM SET, ADJUSTING	1		1					N
(A=*1978.06) (C=*1978.06)											
70	1	121250-01950	SHIM		1		1				
70-1	1	121250-01951	SHIM SET, ADJUSTING		1		1				N
(B=*1978.06) (D=*1978.06)											

Remarks

- (1)CYL.BLOCK ASSY FOR 2QM OR 2QM20 CONTAINS THE ABOVE-MENTIONED PART FROM REF.NO.33 UP TO REF.NO.38 AS EXTRAS IN ORDER TO MAKE THE ASSY INTERCHGEABLE WITH CYL.BLOCK ASSY OF TORACTOR. THUS,PAY MUCH ATTEN-TION TO THIS REGARD AT THE TIME OF REPAIRING OR REASSEMBLY. PLEASE BE SURE TO REMOVE.
- (2)REFER TO FIG.6 FOR ILLUSTRATED.
- (3)OPTIONAL(SELECTION USE PARATS)

Fig.1. CYLINDER BLOCK

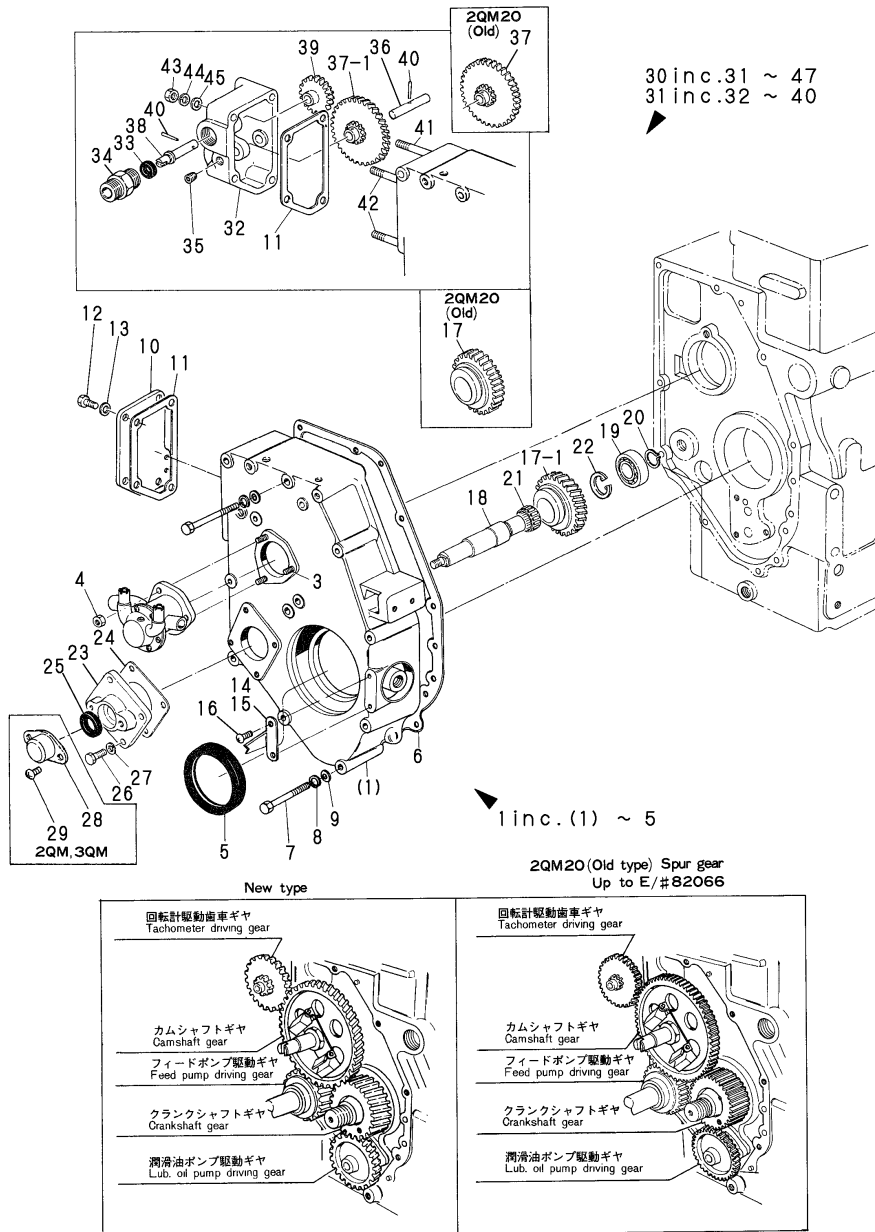


No.	Lev.	Parts No.	Description	Q'ty						I	R
				(A)	(B)	(C)	(D)	(E)	(F)		
71	1	26116-080222	BOLT, M8X 22 PLATED	2	2	2	2				
72	1	22212-080000	SPRING WASHER 8	2	2	2	2				
72-1	1	22217-080000	WASHER, SPRING 8	2	2	2	2				N
		(A=E/XXX) (B=E/XXX) (C=E/XXX) (D=E/XXX)									
73	1	121250-01850	COVER	1	1	1	1				
74	1	124160-01861	GASKET	1	1	1	1				
74-1	1	124160-01862	GASKET	1	1	1	1				N
		(A=E/XXX) (B=E/XXX) (C=E/XXX) (D=E/XXX)									
74-2	1	124160-01863	GASKET	1	1	1	1				N
		(A=E/XXX) (B=E/XXX) (C=E/XXX) (D=E/XXX)									
75	1	26116-060122	BOLT, M6X 12 PLATED	4	4	4	4				
76	1	26116-060162	BOLT, M6X 16 PLATED	2	2	2	2				
77	1	22137-060000	WASHER, 6	4	4	4	4				
78	1	23065-090620	PIPE, 9X 620	1	1	1	1				
78-1	1	124772-03100	PIPE, BREATHER	1	1	1	1				N
		(A=*1976.12) (B=*1976.12) (C=*1976.12) (D=*1976.12)									
79	1	124223-49750	CLIP, HOSE 13	1	1	1	1				
79-1	1	124766-59050	CLIP, HOSE 12	1	1	1	1				N
		(A=*1976.12) (B=*1976.12) (C=*1976.12) (D=*1976.12)									
80	1	124250-01650	RETAINER	1	1	1	1				Z
		(A=*1976.12) (B=*1976.12) (C=*1976.12) (D=*1976.12)									
81	1	124770-07230	LIFTER	1	1	1	1				
81-1	1	124070-07230	LIFTER	1	1	1	1				N
		(A=E/#85335) (B=E/#81577) (C=E/#81899) (D=E/#81809)									
82	1	124770-08110	FOOT, MOUNTING	1	1	1	1				
83	1	124770-08120	FOOT, MOUNTING	1	1	1	1				
84	1	26116-120302	BOLT, M12X 30 PLATED	8	8	8	8				
85	1	22212-120000	SPRING WASHER 12	8	8	8	8				
85-1	1	22217-120000	WASHER, SPRING 12	8	8	8	8				N
		(A=E/XXX) (B=E/XXX) (C=E/XXX) (D=E/XXX)									
86	1	124790-08120	PLATE			2					
87	1	121390-08120	PLATE							2	
88	1	124223-92800	SHIM SET, ADJUSTING			1	1				
89	1	124770-08340	ABSORBER, SHOCK 80	4	4	4	4				3
90	1	121370-08340	MOUNT, FLEXIBLE	4	4	4	4				3
91	2	124770-08910	NUT, M12	4	4	4	4				
92	2	22217-120000	WASHER, SPRING 12	4	4	4	4				
93	2	22137-120000	WASHER, 12	4	4	4	4				
94	1	23883-180000	PLUG M18	1	1						W
		(A=E/#85658) (B=E/#81661)									
95	1	23414-180023	GASKET, 18X1.0	1	1						W
		(A=E/#85658) (B=E/#81661)									

Remarks

- (1)CYL.BLOCK ASSY FOR 2QM OR 2QM20 CONTAINS THE ABOVE-MENTIONED PART FROM REF.NO.33 UP TO REF.NO.38 AS EXTRAS IN ORDER TO MAKE THE ASSY INTERCHGEABLE WITH CYL.BLOCK ASSY OF TORACTOR. THUS,PAY MUCH ATTEN-TION TO THIS REGARD AT THE TIME OF REPAIRRING OR REASSEMBLY. PLEASE BE SURE TO REMOVE.
- (2)REFER TO FIG.6 FOR ILLUSTRATED.
- (3)OPTIONAL(SELECTION USE PARATS)

Fig.2. GEAR HOUSING



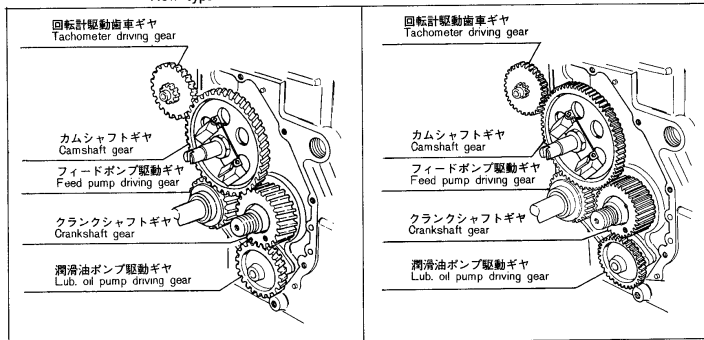
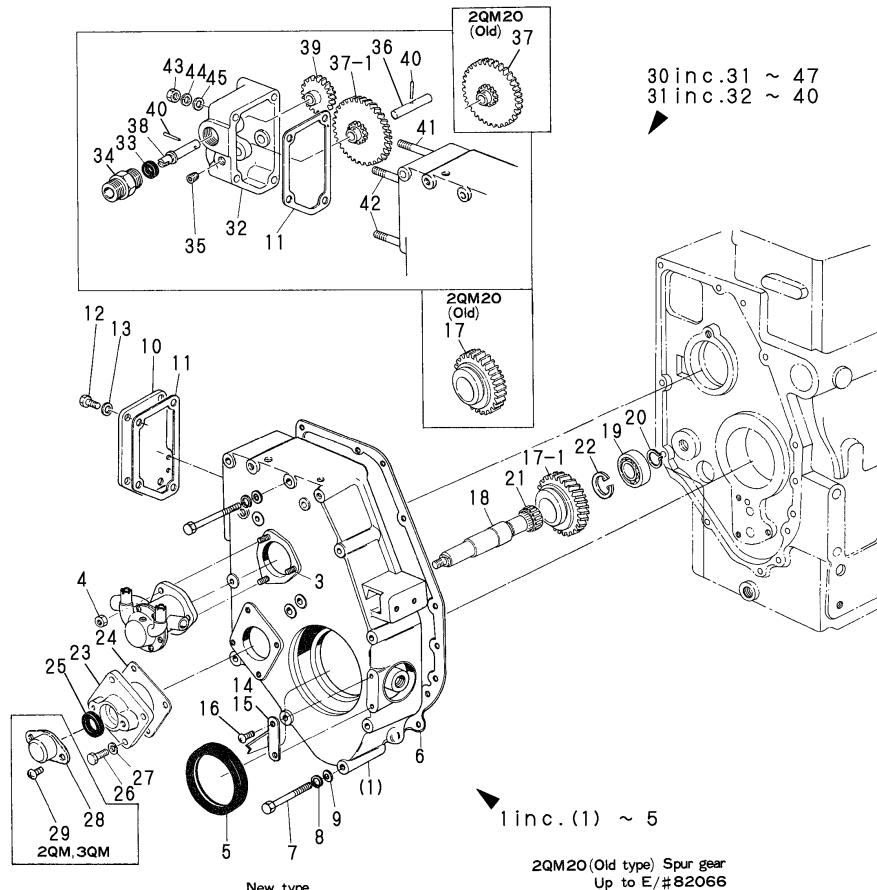
(A)=2QM20
(B)=3QM30
(C)=2QM

(D)=3QM
(E)=
(F)=

No.	Lev.	Parts No.	Description	Q'ty						I	R
				(A)	(B)	(C)	(D)	(E)	(F)		
1	1	724772-01500	CASE ASSY, GEAR	1	1	1	1				
3	2	26216-080182	STUD, M8X 18	3	3	3	3				
4	2	26716-080002	NUT, M8	3	3	3	3				
5	2	124450-01800	SEAL, HTC588012	1	1	1	1				
6	1	124450-01511	GASKET, GEAR CASE	1	1	1	1				
6-1	1	124450-01512	GASKET, GEAR CASE	1	1	1	1				N
7	1	26116-081052	BOLT, M8X105 PLATED	9	9	9	9				
8	1	22212-080000	SPRING WASHER 8	9	9	9	9				
8-1	1	22217-080000	WASHER, SPRING 8	9	9	9	9				N
9	1	22137-080000	WASHER, 8	9	9	9	9				
10	1	124772-01850	COVER	1	1	1	1				
11	1	124770-01861	GASKET	1	1	1	1				
12	1	26116-080202	BOLT, M8X 20 PLATED	4	4	4	4				
13	1	23414-080000	GASKET, 8X1.0	3	3	3	3				
14	1	124772-07300	POINTER	1	1						
15	1	124790-07300	POINTER			1	1				
16	1	26557-060102	SCREW, M6X10	2	2	2	2				
17	1	124770-52100	GEAR, PUMP	1							
17-1	1	124772-52100	GEAR	1	1	1	1				S
18	1	124770-52110	SHAFT	1	1	1	1				
19	1	24101-062044	BEARING, BALL 6204	1	1	1	1				
20	1	22242-000200	RING, 20	1	1	1	1				
21	1	124770-52120	CLUTCH	1	1	1	1				
21-1	1	124772-52120	CLUTCH	1	1	1	1				N
22	1	22252-000470	RING, 47		1	1	1				
23	1	124770-52150	SUPPORT	1	1	1	1				
24	1	124240-01881	GASKET	1	1	1	1				
24-1	1	124240-01882	GASKET	1	1	1	1				N
25	1	124770-52180	SEAL, TC20X35X8	1	1	1	1				
26	1	26116-080252	BOLT, M8X 25 PLATED	4	4	4	4				
27	1	22212-080000	SPRING WASHER 8	4	4	4	4				
27-1	1	22217-080000	WASHER, SPRING 8	4	4	4	4				N
28	1	124790-01870	COVER			1	1				
29	1	26557-060082	SCREW, M6X 8			2	2				
30	1	724770-09550	TACHOMETER KIT	1							1
30-1	1	724772-09550	TACHOMETER KIT	1	1	1	1				S 1
30-2	1	724772-09550	TACHOMETER KIT	1	1						Z 1
31	2	724770-09500	TACHOMETER KIT	1							
31-1	2	724772-09500	TACHOMETER KIT	1	1	1	1				S
31-2	2	724772-09500	TACHOMETER KIT	1	1						Z
32	3	124770-09010	HOUSING	1	1	1	1				

Remarks
(1)OPTIONAL
(2)REFER TO FIG.20 FOR ILLUSTRATED.

Fig.2. GEAR HOUSING



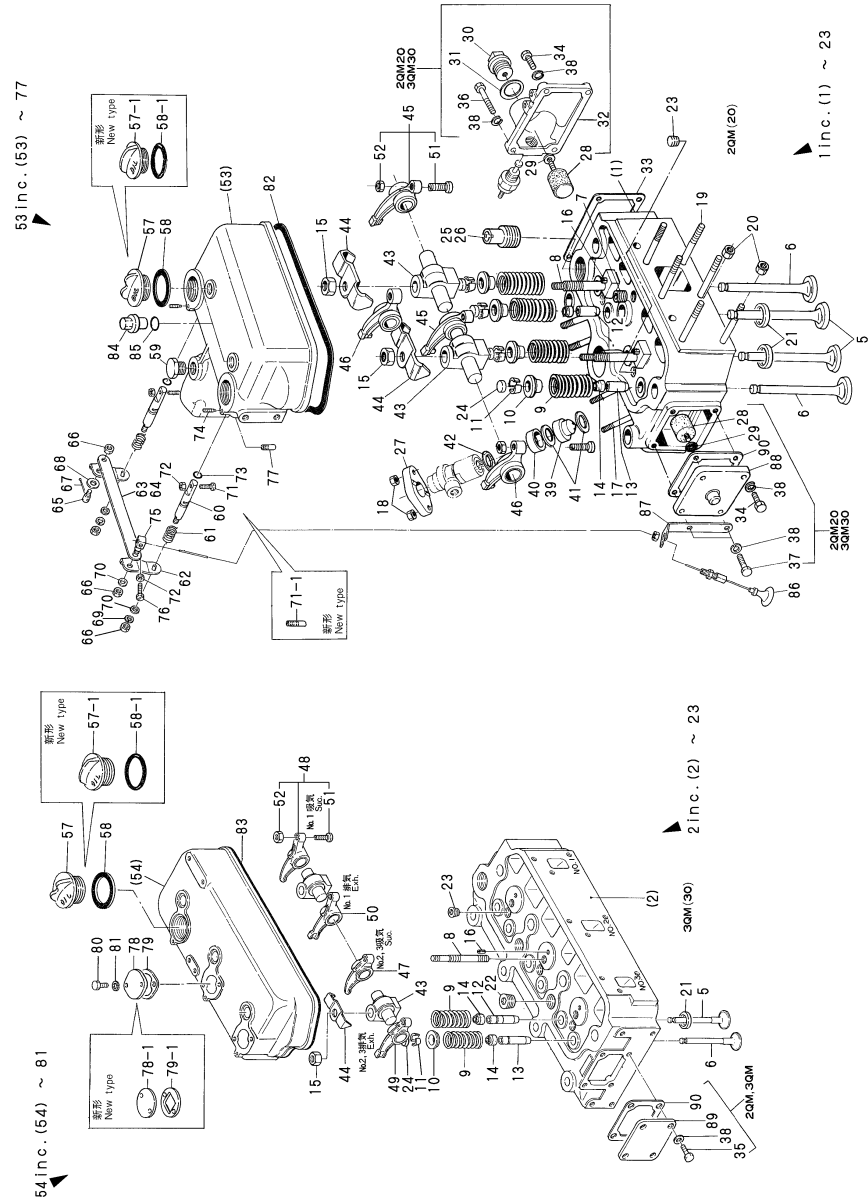
(A)=2QM20
(B)=3QM30
(C)=2QM

(D)=3QM
(E)=
(F)=

No.	Lev.	Parts No.	Description	Q'ty						I	R
				(A)	(B)	(C)	(D)	(E)	(F)		
33	3	122410-61670	SEAL, VC10X20X5	1	1	1	1				
34	3	124770-09250	UNION	1	1	1	1				
35	3	23871-020000	PLUG, R02	1	1	1	1				
35-1	3	23872-020000	PLUG PT1/4,SCREW	1	1	1	1				N
36	3	124770-09100	SHAFT, DRIVE	1	1	1	1				
37	3	124770-09150	GEAR	1							
37-1	3	124772-09150	GEAR ASSY	1	1	1	1				S
(A=E/#82067)											
38	3	124770-09200	SHAFT, OUTPUT	1	1	1	1				
39	3	124770-09140	GEAR	1	1	1	1				
40	3	22351-030020	PIN, SPRING 3.0X20	2	2	2	2				
41	2	26226-080652	STUD, M8X 65	2	2	2	2				
42	2	26226-080502	STUD, M8X 50	2	2	2	2				
43	2	26716-080002	NUT, M8	4	4	4	4				
44	2	22212-080000	SPRING WASHER 8	4	4	4	4				
44-1	2	22217-080000	WASHER, SPRING 8	4	4	4	4				N
(A=E/XXX) (B=E/XXX) (C=E/XXX) (D=E/XXX)											
45	2	22137-080000	WASHER, 8	4	4	4	4				
46	2	124770-91100	TACHOMETER	1	1	1	1				2
47	2	124770-91160	SENSOR	1	1	1	1				2
47-1	2	124770-91161	SENSOR	1	1	1	1				N 2
(A=E/XXX) (B=E/XXX) (C=E/XXX) (D=E/XXX)											

Remarks
(1)OPTIONAL
(2)REFER TO FIG.20 FOR ILLUSTRATED.

Fig.3. CYLINDER HEAD

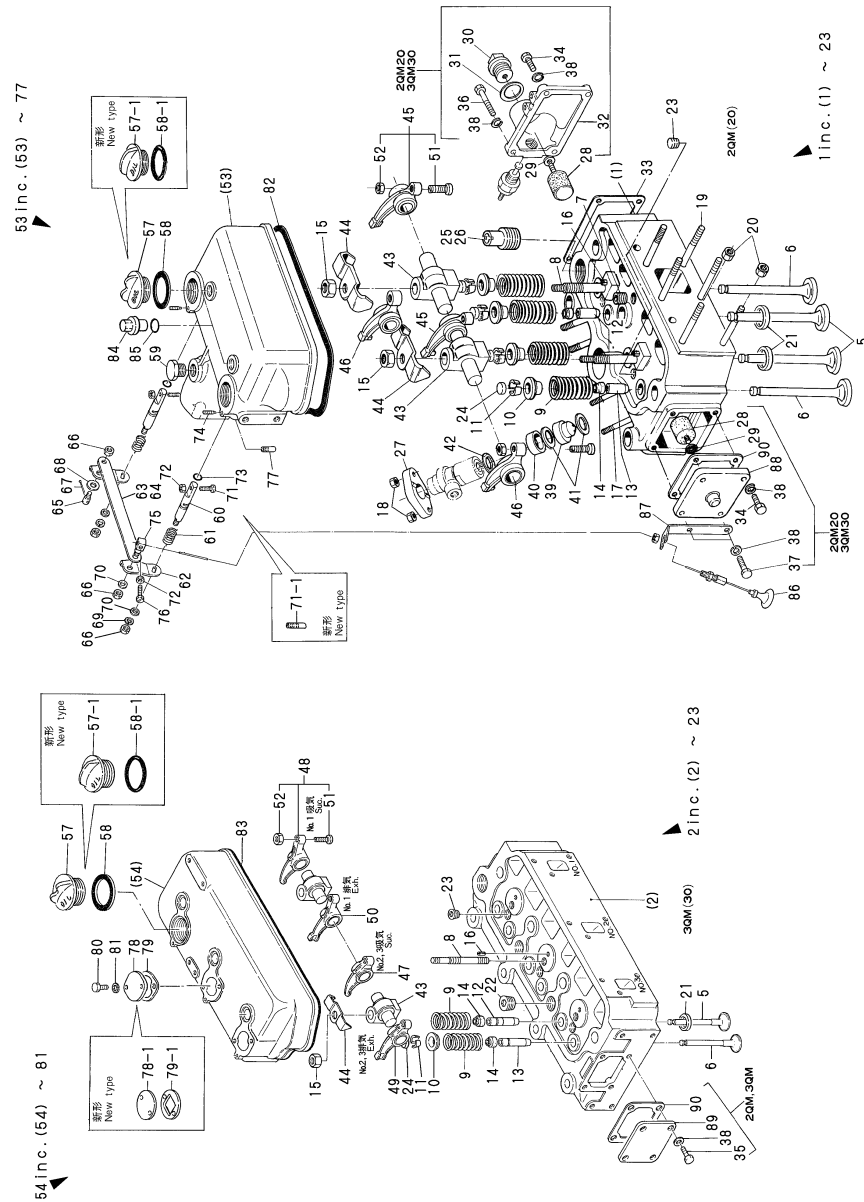


Remarks
 (1)INC.55 & 56.
 (2)OPTIONAL
 (3)2QM & 3QM:OPTIONAL
 2QM20 & 3QM30:STANDARD EQUIPPED

(A)=2QM20
 (B)=3QM30
 (C)=2QM
 (D)=3QM
 (E)=
 (F)=

No.	Lev.	Parts No.	Description	Q'ty						I	R
				(A)	(B)	(C)	(D)	(E)	(F)		
1	1	724772-11700	HEAD ASSY, CYLINDER	1		1					
2	1	721370-11700	HEAD ASSY, CYLINDER		1		1				
5	2	104600-11100	VALVE, INTAKE	2	3	2	3				
6	2	104600-11110	VALVE, EXHAUST	2	3	2	3				
7	2	124250-11880	PLUG	1		1					
8	2	104700-11350	STUD	2	3	2	3				
9	2	124772-11120	SPRING, VALVE	4	6	4	6				
10	2	103338-11180	RETAINER, SPRING	4	6	4	6				
11	2	103338-11190	COTTER	4	6	4	6				
12	2	124450-11160	GUIDE, VALVE	2	3	2	3				
12-1	2	124450-11161	GUIDE, VALVE	2	3	2	3				N
(A=*1978.11) (B=*1978.11) (C=*1978.11) (D=*1978.11)											
13	2	124450-11170	GUIDE, VALVE	2	3	2	3				
13-1	2	124450-11171	GUIDE, VALVE	2	3	2	3				N
(A=*1978.11) (B=*1978.11) (C=*1978.11) (D=*1978.11)											
14	2	124770-11340	SEAL, VALVE STEM	4	6	4	6				
15	2	124460-11270	NUT, M12	2	3	2	3				
16	2	22351-060014	PIN, SPRING 6.0X14	2	3	2	3				
17	2	26216-080602	STUD, M8X 60	4		4					
17A	2	26216-080502	STUD, M8X 50		6		6				
18	2	26716-080002	NUT, M8	4	6	4	6				
19	2	26213-081002	STUD, M8X100	6	6	6	6				
20	2	26713-080002	NUT, M8	6	6	6	6				
21	2	121370-11080	SEAT, INTAKE VALVE	2	3	2	2				
22	2	124060-11510	PLUG		2		2				
23	2	121250-11520	PLUG, PT1/4	2	3	2	3				
24	1	104511-11370	CAP, VALVE	1	1						
25	1	121370-11750	JOINT, PIPE	1	1						
26	1	134790-49600	JOINT			1	1				
27	1	173400-11900	FLANGE	2	3	2	3				
28	1	27210-200300	ZINC, SCREW20X30	2	2						
29	1	123210-09310	GASKET	2	2						
30	1	124220-09320	PLUG	1	1						
31	1	23414-250000	GASKET, 25X1.0	1	1						
32	1	124770-11650	COVER	1	1						
33	1	124450-44410	GASKET	1	1						
34	1	26116-080222	BOLT, M8X 22 PLATED	4	4						
35	1	26116-080142	BOLT 8X14			4	4				
36	1	26116-080402	BOLT, M8X 40 PLATED	2	2						
37	1	26116-080252	BOLT, M8X 25 PLATED	2	2						
38	1	22212-080000	SPRING WASHER 8	8	8	4	4				
38-1	1	22217-080000	WASHER, SPRING 8	8	8	4	4				N
(A=EXXX) (B=EXXX) (C=EXXX) (D=EXXX)											
39	1	124770-11420	CHAMBER	2	3	2	3				
40	1	104900-11410	CHAMBER	2	3	2	3				
41	1	104900-11450	GASKET, CHAMBER	4	6	4	6				
42	1	103854-11490	INSULATOR	2	3	2	3				
43	1	124772-11250	SUPPORT	2	3	2	3				
44	1	124450-11290	RETAINER	2	3	2	3				
45	1	724450-11650	ARM ASSY, ROCKER	2	2						1
46	1	724450-11660	ARM ASSY, ROCKER	2	2						1

Fig.3. CYLINDER HEAD

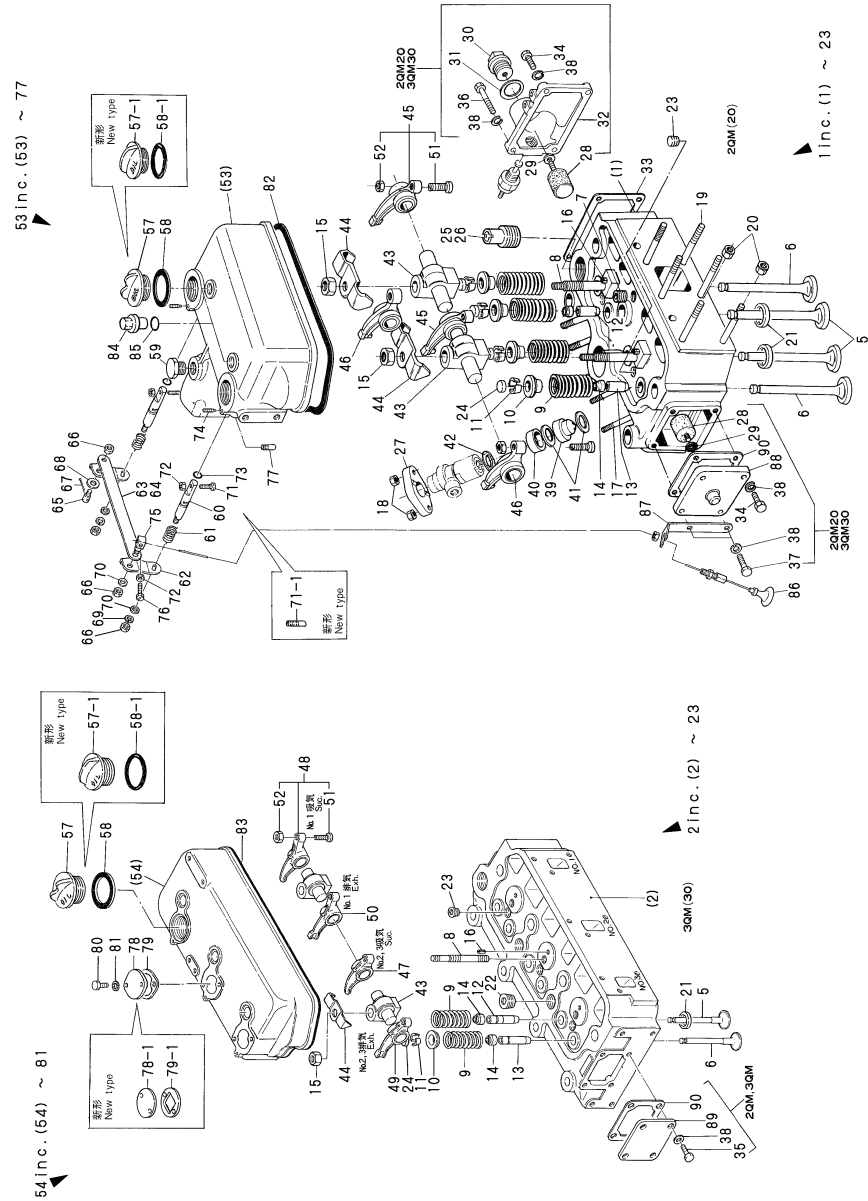


Remarks
 (1)INC.55 & 56.
 (2)OPTIONAL
 (3)2QM & 3QM:OPTIONAL
 2QM20 & 3QM30:STANDARD EQUIPPED

(A)=2QM20
 (B)=3QM30
 (C)=2QM
 (D)=3QM
 (E)=
 (F)=

No.	Lev.	Parts No.	Description	Q'ty						I	R
				(A)	(B)	(C)	(D)	(E)	(F)		
47	1	721250-11650	ARM ASSY,ROCKER		2		2				1
48	1	721250-11680	ARM ASSY,ROCKER		1		1				1
49	1	721250-11660	ARM ASSY,ROCKER		2		2				1
50	1	721250-11670	ARM ASSY,ROCKER		1		1				1
51	2	101158-11230	SCREW, VALVE ADJUST	4	6	4	6				
52	2	26756-080002	NUT, LOCK M8	4	6	4	6				
53	1	724772-11520	BONNET ASSY, HEAD	1		1					
53-1	1	724772-11521	BONNET ASSY, HEAD	1		1					N
		(A=E/#84766)	(C=E/#81551)								
54	1	721370-11520	BONNET ASSY, HEAD		1		1				
54-1	1	721370-11521	BONNET ASSY, HEAD		1		1				N
		(B=E/#81446)	(D=E/#81621)								
57	2	101104-01750	COVER, FILLER	2	1	2	1				
57-1	2	124160-01750	COVER	2	1	2	1				S
		(A=E/#84766)	(B=E/#81446)	(C=E/#81551)	(D=E/#81621)						
57-2	2	124160-01751	COVER, FILLER	2	1	2	1				N
		(A=E/XXX)	(B=E/XXX)	(C=E/XXX)	(D=E/XXX)						
58	2	101104-01760	GASKET, CAP	2	1	2	1				
58-1	2	24321-000350	O-RING, 1AG35.0	2	1	2	1				S
		(A=E/#84766)	(B=E/#81446)	(C=E/#81551)	(D=E/#81621)						
59	2	124450-11320	PLUG	1		1					
60	2	124770-03600	SHAFT, DECOMPRESSION	2	3	2	3				
61	2	104200-03641	SPRING,DECOMPRESSION	2	3	2	3				
62	2	124770-03610	LEVER, DECOMPRESSION	2	3	2	3				
63	2	124770-03680	CONNECTOR	1		1					
64	2	121370-03680	CONNECTOR		1		1				
65	2	124770-03690	PIN	1	2	1	2				
66	2	26757-060002	NUT, LOCK M6	4	6	4	6				
67	2	22360-080000	SNAP PIN 8	1	2	1	2				
68	2	22137-080000	WASHER, 8	1	2	1	2				
69	2	22212-060000	SPRING WASHER 6	2		2					
69-1	2	22217-060000	WASHER, SPRING 6	2		2					N
		(A=E/XXX)	(B=E/XXX)	(C=E/XXX)	(D=E/XXX)						
70	2	22137-060000	WASHER, 6	3	3	3	3				
71	2	124250-03630	SCREW	2	3	2	3				
71-1	2	120220-03660	SCREW	2	3	2	3				N
		(A=E/#84915)	(B=E/#81384)	(C=E/#81653)	(D=E/#81520)						
72	2	26756-050002	NUT, LOCK M5	3	4	3	4				
73	2	24311-000070	O-RING, 1AP7.0	2	3	2	3				
74	2	124250-03640	SCREW	2	3	2	3				
75	2	124770-03710	RETAINER	1	1	1	1				
76	2	26113-050128	BOLT, M5X 12	1	1	1	1				
77	2	124770-11770	JOINT, PIPE PT1/8	1		1					
78	2	121370-11320	COVER, CYLINDER HEAD		2		2				
78-1	2	124460-03650	COVER		2		2				S
		(B=E/#81446)	(D=E/#81621)								
79	2	121370-11331	GASKET		2		2				
79-1	2	124460-03662	GASKET		2		2				S
		(B=E/#81446)	(D=E/#81621)								
79-2	2	124460-03663	GASKET		2		2				N
		(B=E/XXX)	(D=E/XXX)								

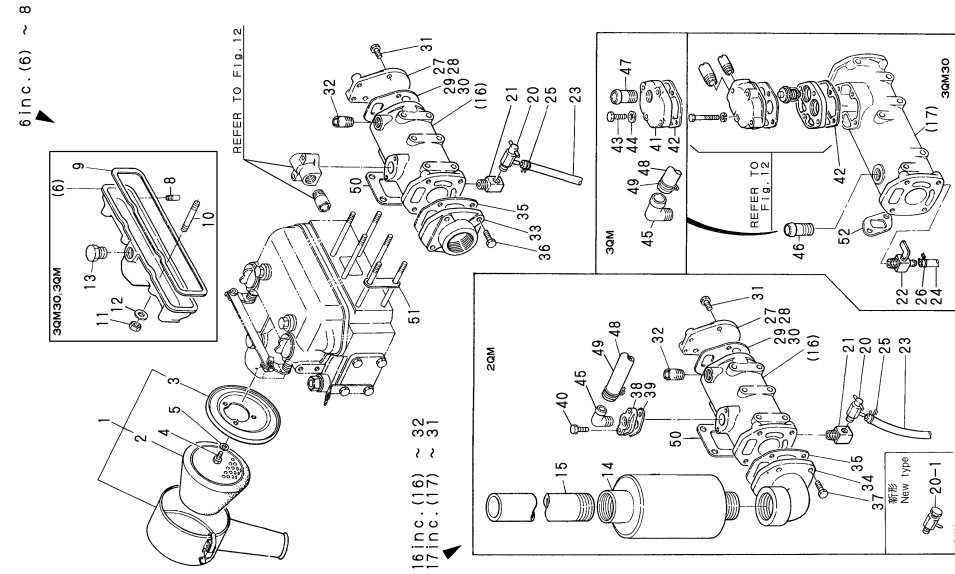
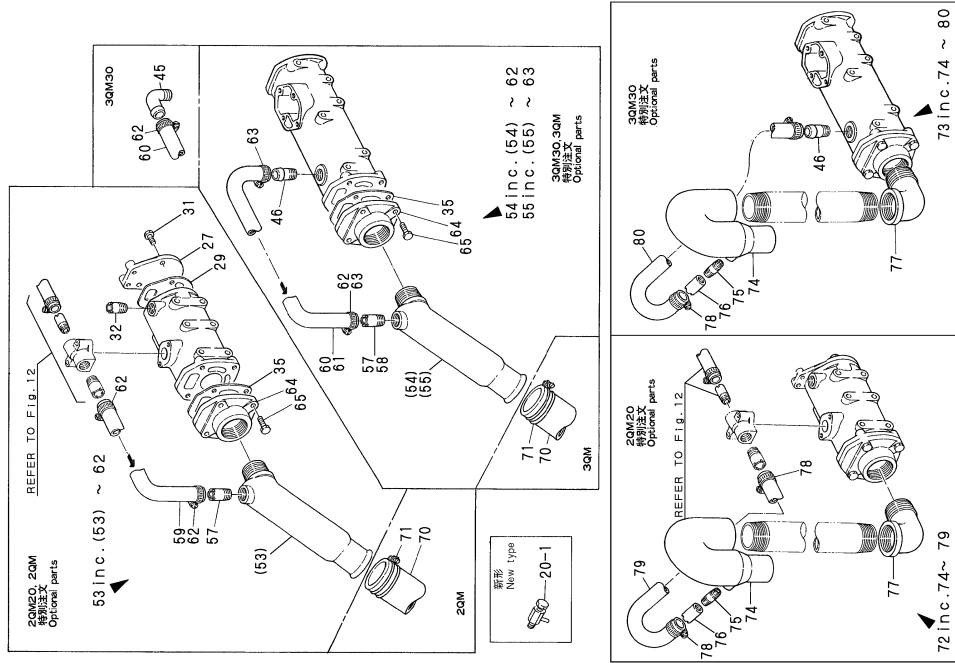
Fig.3. CYLINDER HEAD



No.	Lev.	Parts No.	Description	Q'ty						I	R
				(A)	(B)	(C)	(D)	(E)	(F)		
80	2	26116-060142	BOLT, M6X 14 PLATED		4		4				
81	2	22212-060000	SPRING WASHER 6		4		4				
81-1	2	22217-060000	WASHER, SPRING 6		4		4			N	
				(B=EXXX)		(D=EXXX)					
82	1	124450-11310	GASKET, BONNET	1			1				
83	1	121370-11310	GASKET, BONNET		1		1				
84	1	124460-11360	CAP	2	3		2	3			
85	1	24311-000140	O-RING, 1AP14.0	2	3		2	3			
86	1	104214-03700	CABLE	1	1	1	1			2	
87	1	124770-03720	BRACKET	1	1	1	1			3	
88	1	124770-11670	COVER, HEAD	1	1						
89	1	124450-11671	COVER, CYLINDER HEAD				1	1			
90	1	124450-11681	GASKET	1	1	1	1				

Remarks
 (1)INC.55 & 56.
 (2)OPTIONAL
 (3)2QM & 3QM:OPTIONAL
 2QM20 & 3QM30:STANDARD EQUIPPED

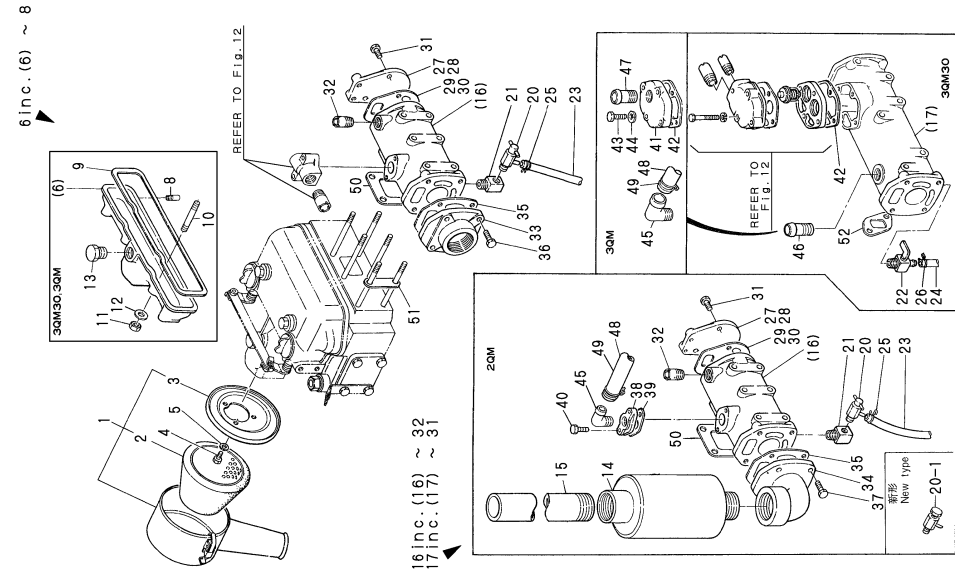
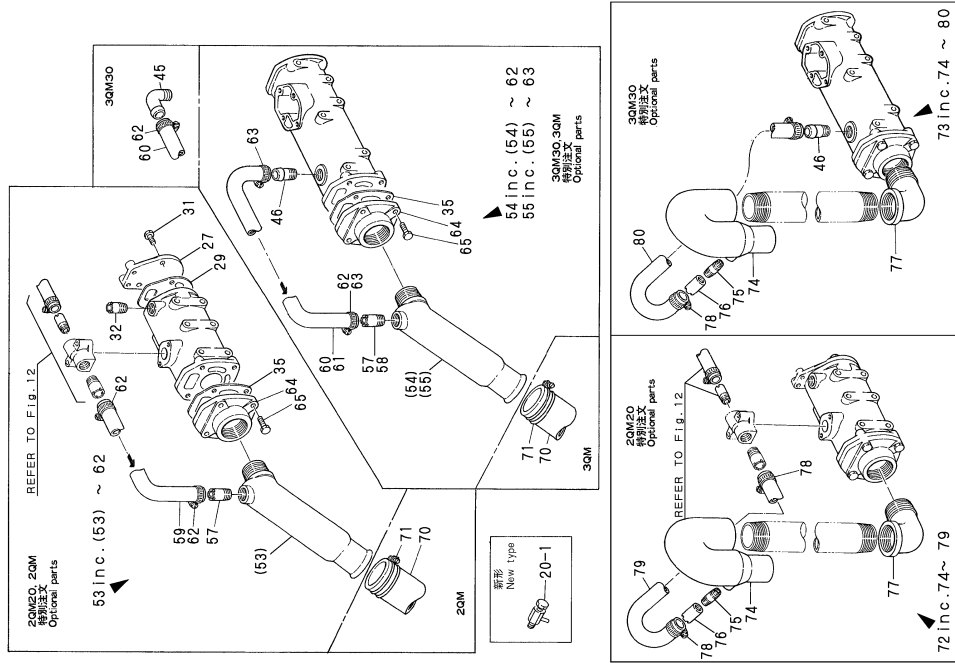
Fig.4. SILENCER & EXHAUST MANIFOLD



No.	Lev.	Parts No.	Description	Q'ty						I	R
				(A)	(B)	(C)	(D)	(E)	(F)		
1	1	124770-12500	SILENCER	1	1	1	1				
2	1	124770-12540	ELEMENT	1	1	1	1				
3	1	124770-12530	PLATE	1	1	1	1				
4	1	26117-060149	BOLT, M6X 14 PLATED	3	3	3	3				
5	1	22212-060000	SPRING WASHER 6	3	3	3	3				
5-1	1	22217-060000	WASHER, SPRING 6	3	3	3	3				N
		(A=EXXX) (B=EXXX) (C=EXXX) (D=EXXX)									
6	1	121370-12730	MANIFOLD, AIR INTAKE		1		1				
8	2	124770-11770	JOINT, PIPE PT1/8		1		1				
9	1	121250-12710	GASKET, MANIFOLD		1		1				
10	1	121250-11550	BOLT		2		2				
11	1	26716-080002	NUT, M8		2		2				
12	1	22137-080000	WASHER, 8		2		2				
13	1	124450-11320	PLUG		1		1				
14	1	120220-13510	SILENCER, 1.5 INCH			1	1				
15	1	120220-13010	PIPE, 1-1/2X800			1	1				
16	1	724772-13500	MANIFOLD ASSY	1		1					
17	1	721370-13500	MANIFOLD ASSY		1		1				
20	2	43600-001200	COCK	1		1					
20-1	2	43600-500290	COCK 1/4	1		1					N
		(A=EXXX) (C=EXXX)									
21	2	124772-13410	JOINT	1		1					
22	2	104200-11920	COCK, WATER		1		1				
23	2	23061-070500	PIPE, 7X 500	1		1					
24	2	23061-100500	PIPE, 10X 500		1		1				
25	2	124450-44560	RETAINER	1		1					
25-1	2	124460-77680	RETAINER	1		1					N
		(A=*1976.12) (C=*1976.12)									
26	2	124223-49750	CLIP, HOSE 13		1		1				
27	2	124772-13160	COVER	1		1					
28	2	121370-13160	COVER, MANIFOLD		1		1				
29	2	124770-13180	GASKET	1		1					
30	2	124770-13170	GASKET		1		1				
31	2	26113-080222	BOLT M 8X 22	4	4	4	4				
32	2	124223-49300	JOINT, PIPE	1		1					
33	1	124770-13150	FLANGE	1	1						
34	1	124223-13070	BEND, EXHAUST			1	1				
35	1	124770-13170	GASKET	1	1	1	1				
36	1	26113-080282	BOLT M 8X 28	4	4						
37	1	26113-080222	BOLT M 8X 22			4	4				
38	1	124790-49250	FLANGE		1						
39	1	104211-49160	GASKET		1						
40	1	26116-060182	BOLT, M6X 18 PLATED		2						
41	1	121390-13250	COVER				1				
42	1	121370-49160	GASKET				1				
43	1	26116-060252	BOLT, M6X 25 PLATED				4				
44	1	22212-060000	SPRING WASHER 6				4				
44-1	1	22217-060000	WASHER, SPRING 6				4				N
		(D=EXXX)									
45	1	124790-49290	ELBOW, PT1/2			1	1				
46	1	124770-13690	JOINT, PIPE		1						

Remarks
(1)NOT ILLUSTRATED.

Fig.4. SILENCER & EXHAUST MANIFOLD

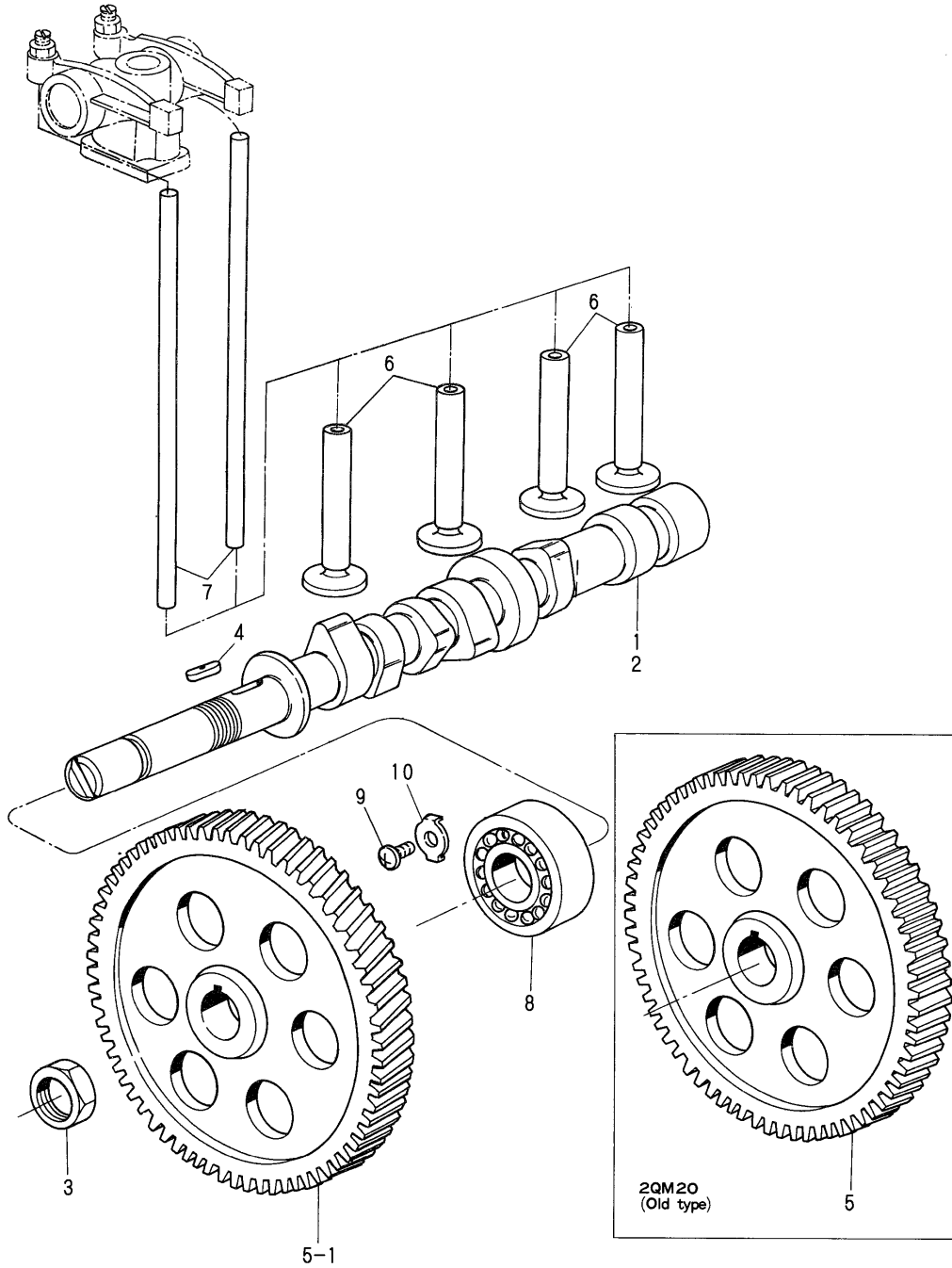


(A)=2QM20
(B)=3QM30
(C)=2QM
(D)=3QM
(E)=
(F)=

No.	Lev.	Parts No.	Description	Q'ty						I	R
				(A)	(B)	(C)	(D)	(E)	(F)		
47	1	123325-49220	JOINT, PIPE						1		
48	1	23093-191000	PIPE 19X1000						1	1	
49	1	23000-035000	CLAMP, 35						2	2	
50	1	124450-11900	GASKET	1			1				
51	1	124770-13130	GASKET, MUFFLER	1			1				
52	1	121250-13520	GASKET			3			3		
53	1	724770-13200	ELBOW ASSY	1			1				
54	1	721370-13200	ELBOW ASSY			1					
55	1	721390-13200	ELBOW ASSY						1		
57	2	124770-13690	JOINT, PIPE	1	1		1				
58	2	123325-49220	JOINT, PIPE							1	
59	2	124770-49040	PIPE, WATER	1			1				
60	2	121370-49040	PIPE, WATER			1					
61	2	121390-49040	PIPE, WATER							1	
62	2	23000-025000	CLAMP, 25			2	2	2			
63	2	23000-035000	CLAMP, 35							2	
64	1	124770-13150	FLANGE					1	1		
65	1	26113-080282	BOLT M 8X 28						4	4	
66	1	124790-49260	FLANGE						1		1
67	1	26116-060352	BOLT, M6X 35 PLATED						2		1
68	1	124223-49300	JOINT, PIPE						1		1
69	1	123325-49220	JOINT, PIPE							1	1
70	1	23072-204000	HOSE, 20X4000					1	1		
71	1	23000-070000	CLAMP, 70						2	2	
72	1	724770-13300	ELBOW ASSY		1						
73	1	721370-13300	ELBOW ASSY			1					
74	2	124770-13550	ELBOW		1	1					
75	3	124770-49100	JOINT, PIPE		1	1					
76	3	124770-49110	SPACER		1	1					
77	2	23112-140000	ELBOW, R1+1/2		1	1					
78	2	23000-025000	CLAMP, 25		2	2					
79	2	124770-49050	PIPE, WATER		1						
80	2	121370-49050	PIPE, WATER					1			

Remarks
(1) NOT ILLUSTRATED.

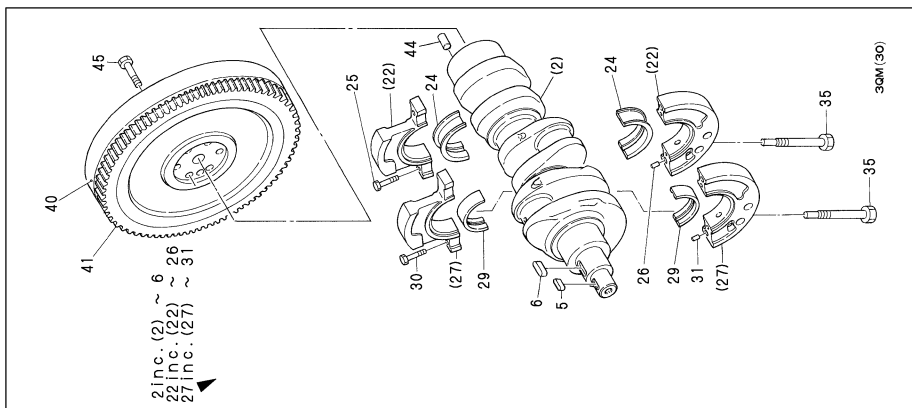
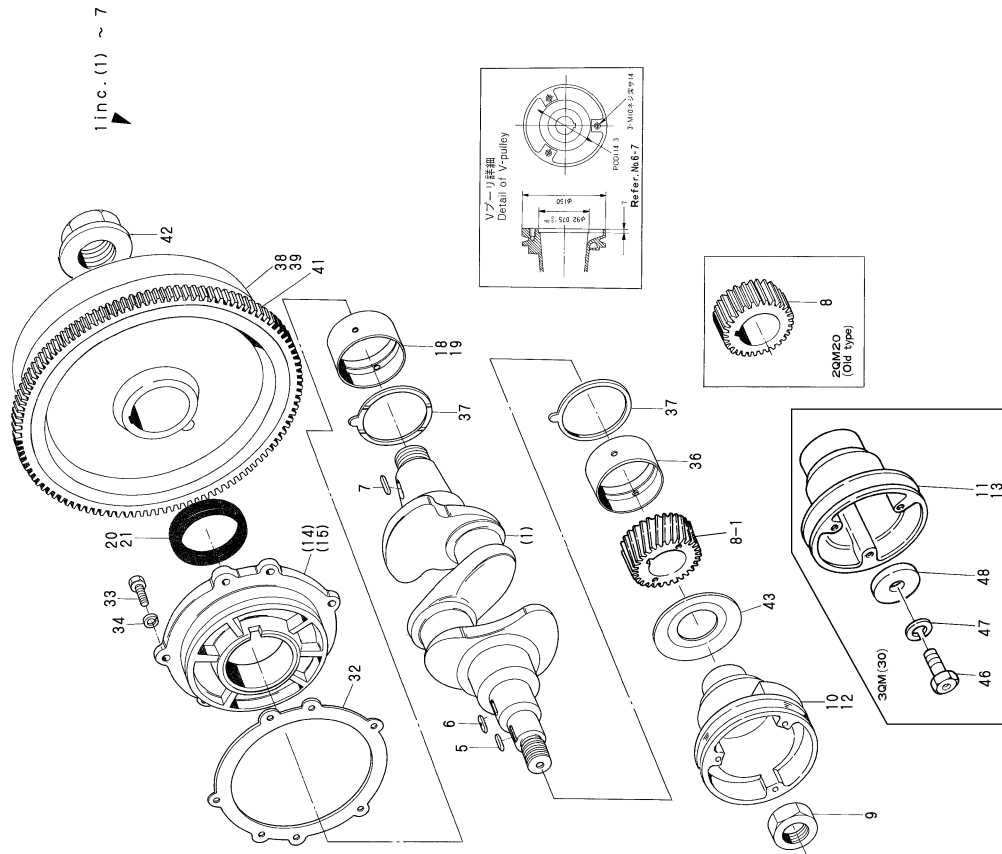
Fig.5. CAMSHAFT



(A)=2QM20
(B)=3QM30
(C)=2QM
(D)=3QM
(E)=
(F)=

No.	Lev.	Parts No.	Description	Q'ty						I	R
				(A)	(B)	(C)	(D)	(E)	(F)		
1	1	124465-14010	CAMSHAFT	1	1						
1-1	1	724465-14580	CAMSHAFT ASSY	1	1						N
		(A=FROM 1ST)	(C=FROM 1ST)								
2	1	121250-14010	CAMSHAFT		1		1				
2-1	1	721250-14580	CAMSHAFT ASSY		1		1				N
		(B=FROM 1ST)	(D=FROM 1ST)								
3	2	124450-14120	NUT	1	1	1	1				
4	2	22512-070180	KEY, 7X 18	1	1	1	1				
5	1	124450-14100	GEAR, CAMSHAFT	1							
5-1	1	121250-14100	GEAR, CAMSHAFT	1	1	1	1				S
6	1	103338-14200	TAPPET	4	6	4	6				
7	1	124450-14400	ROD, PUSH	4	6	4	6				
8	1	24101-062064	BEARING, BALL 6206	1	1	1	1				
9	1	26587-080122	SCREW, M8X12	1	1	1	1				
10	1	121250-02450	RETAINER, BEARING	1	1	1	1				

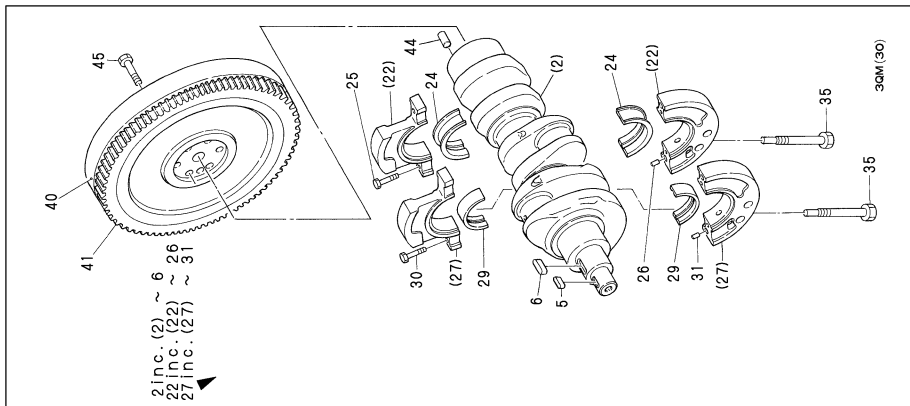
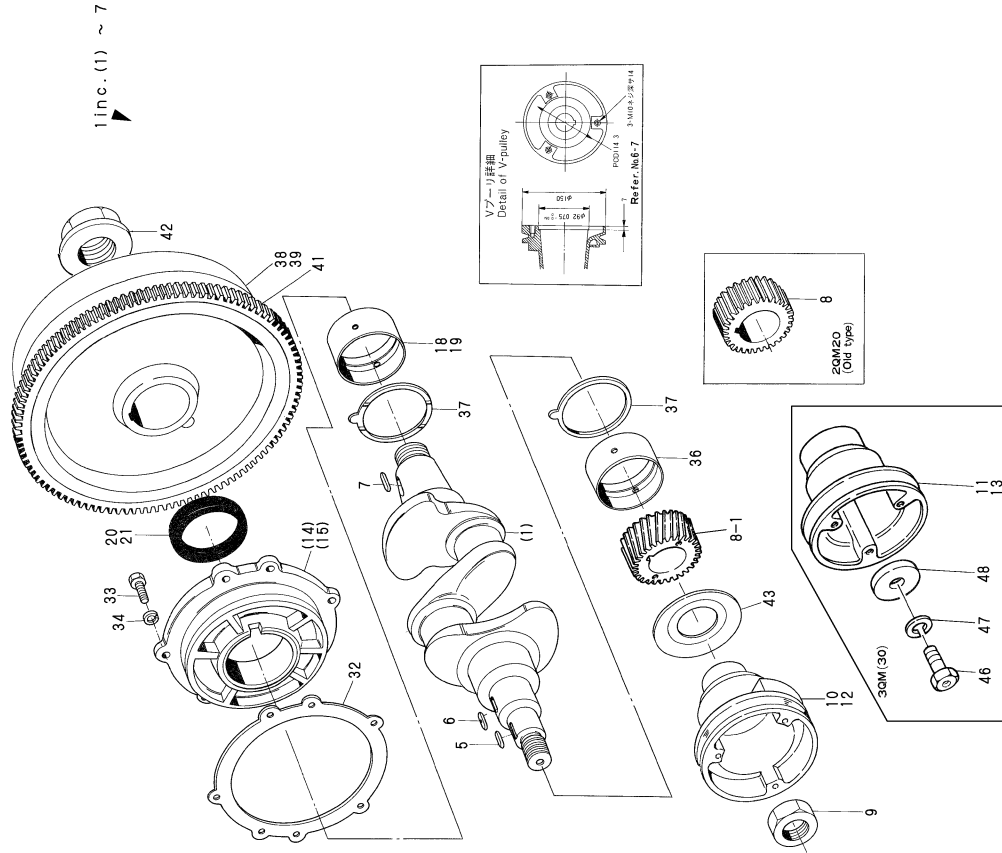
Fig.6. MAIN METAL & CRANKSHAFT



(A)=2QM20
(B)=3QM30
(C)=2QM
(D)=3QM
(E)=
(F)=

No.	Lev.	Parts No.	Description	Qty						I	R
				(A)	(B)	(C)	(D)	(E)	(F)		
1	1	724550-21701	CRANKSHAFT ASSY	1	1						
1-1	1	724450-21702	CRANKSHAFT ASSY	1	1						N
(A=E/#84365) (C=E/#81201)											
2	1	721250-21700	CRANKSHAFT ASSY		1	1					
5	2	22512-070240	KEY, 7X 24	1	1	1	1				
6	2	22512-070280	KEY, 7X 28	1	1	1	1				
7	2	22512-100360	KEY, 10X 36	1	1						
8	1	124450-21200	GEAR, CRANKSHAFT	1							
8-1	1	121250-21200	GEAR, CRANKSHAFT	1	1	1	1				S
(A=E/#82067)											
9	1	124160-21670	NUT, M30	1	1						
10	1	124772-21650	V-PULLEY	1							
10-1	1	124772-21651	V-PULLEY	1							N
(A=E/XXX)											
11	1	121370-21651	V-PULLEY, L113		1						
12	1	124790-21650	V-PULLEY			1					
12-1	1	124790-21651	V-PULLEY			1					N
(C=E/XXX)											
13	1	121390-21650	V-PULLEY, L91							1	
14	1	724465-02500	HOUSING ASSY, METAL	1	1						
15	1	721250-02500	HOUSING ASSY, METAL		1	1					
18	2	121250-02100	BEARING, MAIN	1	1						
19	2	121250-02110	BEARING, MAIN	1	1						
20	2	124450-02220	SEAL, HTCX60X82X9	1	1						
21	2	121250-02220	SEAL, OIL		1	1					
22	1	721250-02610	HOUSING ASSY		1	1					
24	2	121250-01220	BEARING, MAIN		1	1					
25	2	26116-100501	BOLT, M10X 50 PLATED		2	2					
26	2	22312-060140	PIN, PARALLEL M6X14		2	2					
27	1	721250-02620	HOUSING ASSY	1		1					
29	2	121250-02130	BEARING, MAIN		1	1					
30	2	26116-100501	BOLT, M10X 50 PLATED		2	2					
31	2	22312-060140	PIN, PARALLEL M6X14		2	2					
32	1	124460-02150	GASKET	1	1	1	1				
33	1	26116-100252	BOLT, M10X 25 PLATED	5	5	5	5				
34	1	22217-100000	WASHER, SPRING 10	5	5	5	5				
34-1	1	22217-100000	WASHER, SPRING 10	5	5	5	5				N
(A=E/XXX) (B=E/XXX) (C=E/XXX) (D=E/XXX)											
35	1	121250-02300	BOLT		2	2					
36	1	121250-02100	BEARING, MAIN	1	1	1	1				
37	1	124450-02110	BEARING, THRUST	2	2						
38	1	124770-21590	FLYWHEEL ASSY	1							
38-1	1	124770-21591	FLYWHEEL ASSY	1							N
(A=E/XXX)											
39	1	124790-21590	FLYWHEEL ASSY			1					
39-1	1	124790-21591	FLYWHEEL ASSY			1					N
(C=E/XXX)											
40	1	121370-21591	FLYWHEEL ASSY		1	1					
41	1	124550-21600	GEAR, RING	1	1	1	1				
42	1	124450-21530	NUT, END	1	1						
43	1	124160-21700	DISC, OIL SHIELD	1	1	1	1				

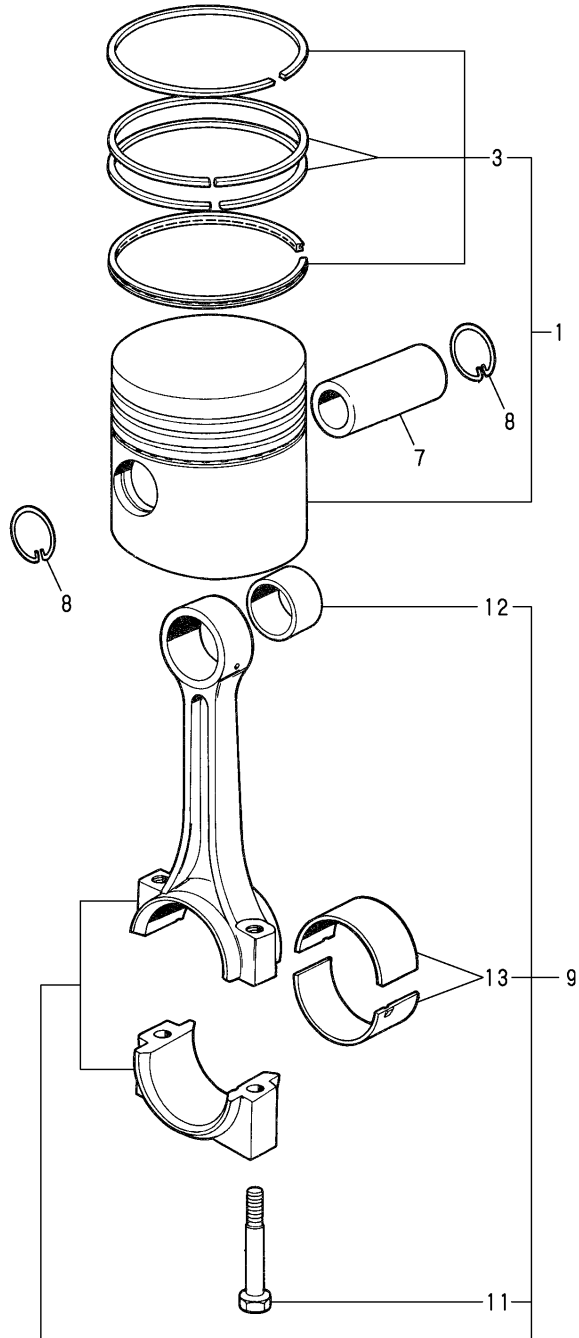
Fig.6. MAIN METAL & CRANKSHAFT



(A)=2QM20
(B)=3QM30
(C)=2QM
(D)=3QM
(E)=
(F)=

No.	Lev.	Parts No.	Description	Q'ty						I	R
				(A)	(B)	(C)	(D)	(E)	(F)		
44	1	124227-21920	PIN, PARALLEL		1		1				
45	1	124250-21501	BOLT, FLYWHEEL		6		6				
46	1	121370-21680	BOLT		1		1				
47	1	22212-120000	SPRING WASHER 12		1		1				
47-1	1	22217-120000	WASHER, SPRING 12		1		1				N
			(B=EXXX) (D=EXXX)								
48	1	124060-21660	WASHER		1		1				

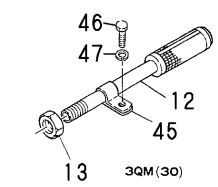
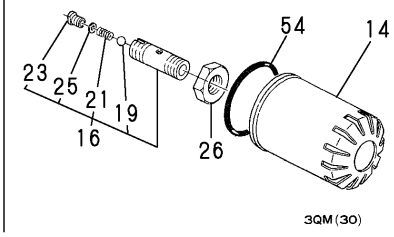
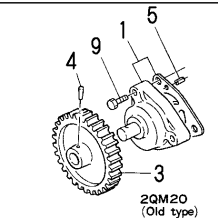
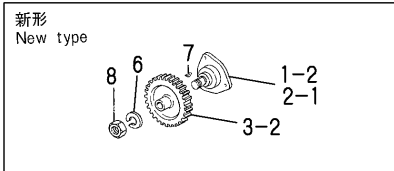
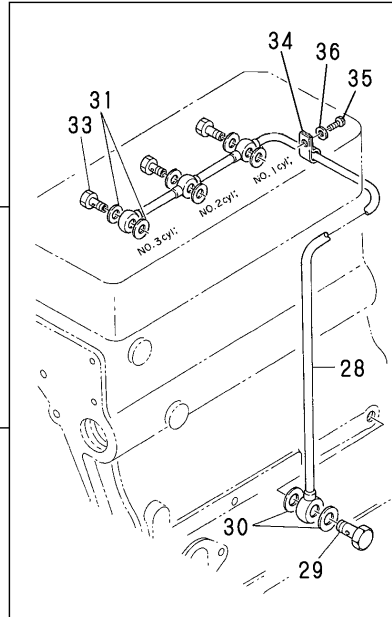
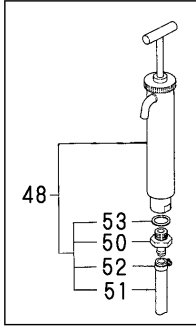
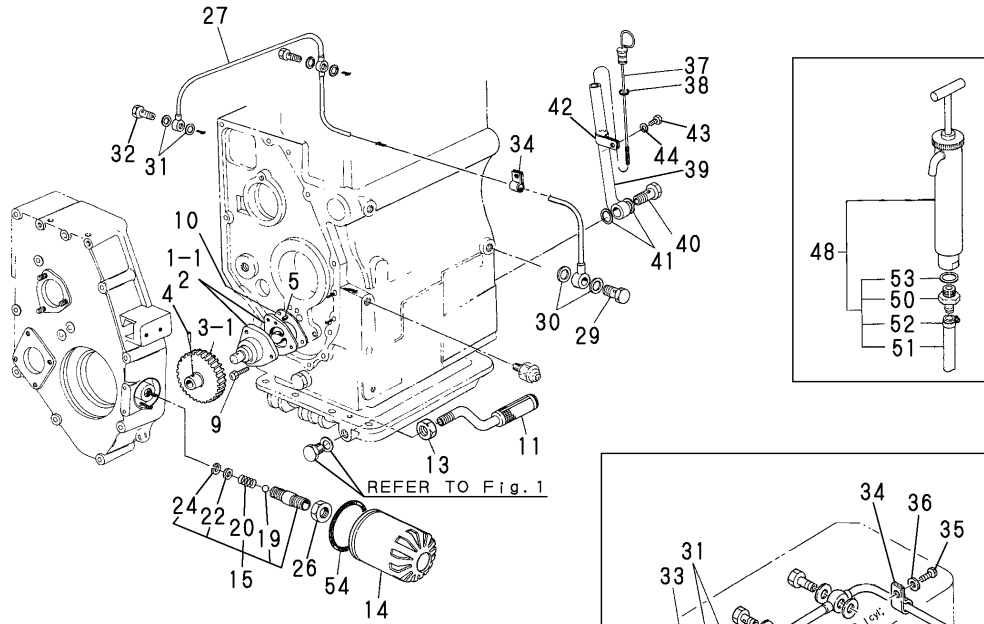
Fig.7. PISTON & CONNECTING ROD



(A)=2QM20
(B)=3QM30
(C)=2QM
(D)=3QM
(E)=
(F)=

No.	Lev.	Parts No.	Description	Q'ty						I	R
				(A)	(B)	(C)	(D)	(E)	(F)		
1	1	124750-22090	PISTON ASSY	2	3	2	3				
1-1	1	724790-22720	PISTON ASSY	2	3	2	3				N
		(A=*1978.03)	(B=*1978.03)	(C=*1978.03)	(D=*1978.03)						
3	2	724750-22500	RING SET, PISTON	2	3	2	3				
3-1	2	724790-22500	RING SET, PISTON	2	3	2	3				N
		(A=*1978.03)	(B=*1978.03)	(C=*1978.03)	(D=*1978.03)						
7	1	104600-22300	PIN, PISTON	2	3	2	3				
8	1	104600-22400	CIRCLIP	4	6	4	6				
9	1	724450-23100	ROD ASSY, CONNECTING	2	3	2	3				
11	2	124450-23200	BOLT, CONNECTING ROD	4	6	4	6				
12	2	124450-23100	BEARING, PISTON PIN	2	3	2	3				
13	2	124450-23300	BEARING, CRANK PIN	2	3	2	3				

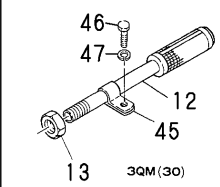
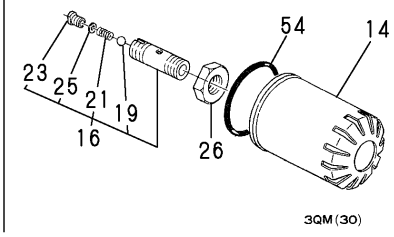
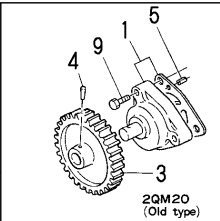
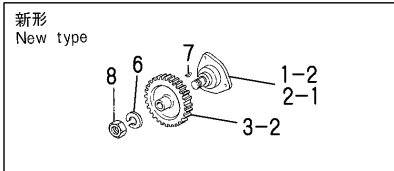
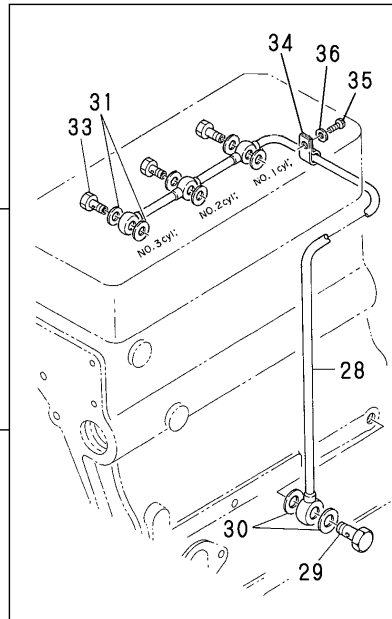
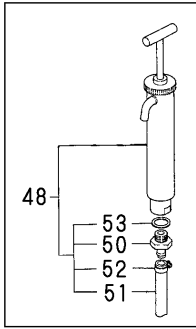
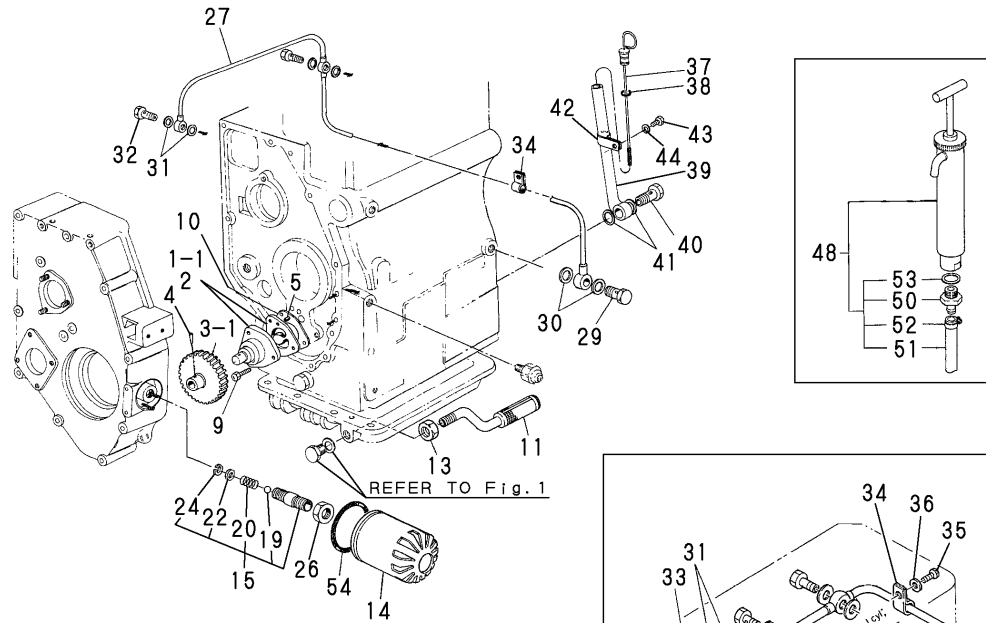
Fig.8. LUB.OIL SYSTEM



No.	Lev.	Parts No.	Description	Qty						I	R
				(A)	(B)	(C)	(D)	(E)	(F)		
1	1	724450-32700	PUMP ASSY, OIL	1							
1-1	1	724772-32700	PUMP ASSY, OIL	1	1						S
(A=E/#82066)											
1-2	1	724790-32101	PUMP ASSY, OIL	1	1						N
(A=E/#87435) (C=E/#82677)											
2	1	721250-32700	PUMP ASSY, OIL		1		1				
2-1	1	121390-32001	PUMP ASSY, OIL		1		1				N
(B=E/XXX) (C=E/XXX)											
3	2	124450-32200	GEAR, LUB OIL PUMP	1							
3-1	2	121250-32201	GEAR, OIL PUMP	1	1	1	1				S
(A=E/#82067)											
3-2	2	121390-32200	GEAR, OIL PUMP	1	1	1	1				S
(A=E/#84439) (B=E/#81149) (C=E/#81289) (D=E/#81193)											
4	2	22322-030220	PIN, TAPER 3X22	1	1	1	1				Z
(A=*1979.07) (B=*1979.07) (C=*1979.07) (D=*1979.07)											
5	2	22351-040012	PIN, SPRING 4.0X12	1	1	1	1				Z
(A=*1979.07) (B=*1979.07) (C=*1979.07) (D=*1979.07)											
6	2	22212-080000	SPRING WASHER 8	1	1	1	1				
7	2	22522-030100	KEY, WOODRUFF 3X10	1	1	1	1				
8	2	26716-080002	NUT, M8	1	1	1	1				
9	2	26117-060229	BOLT M 6X 22	3	3	3	3				
10	2	124450-32020	GASKET	1	1	1	1				
11	2	124772-35060	PIPE, OIL INLET	1		1					
12	2	121370-35061	PIPE, OIL INLET		1		1				
13	2	124450-35070	NUT, PF1/4	1	1	1	1				
14	1	124550-35110	ELEMENT	1	1	1	1				
15	1	124450-35301	VALVE ASSY, CONTROL	1		1					
16	1	121250-35300	VALVE ASSY, CONTROL		1		1				
19	2	24190-100001	BALL, STEEL 5/16	1	1	1	1				
20	2	124450-35320	SPRING, VALVE	1		1					
21	2	121250-35320	SPRING, VALVE		1		1				
22	2	124450-35330	RETAINER	1		1					
23	2	121250-35330	RETAINER, SPRING		1		1				
24	2	22252-000100	RING, 10	1		1					
25	2	121250-35340	SHIM		1		1				
26	1	124450-35350	NUT, LOCK	1	1	1	1				
27	1	124465-39200	PIPE, OIL	1		1					
28	1	121250-39200	PIPE, OIL		1		1				
28-1	1	121252-39200	PIPE ASSY, OIL		1		1				R
(B=*1979.03) (D=*1979.03)											
29	1	124160-39140	BOLT, PIPE JOINT M10	1	1	1	1				
30	1	23414-100000	GASKET, 10X1.0	2	2	2	2				
31	1	23414-080000	GASKET, 8X1.0	4	6	4	6				
32	1	124550-59820	BOLT, PIPE JOINT M8	2		2					
33	1	101147-59810	BOLT, PIPE JOINT M8		3		3				
34	1	124450-39240	RETAINER, PIPE	1	1	1	1				
35	1	26557-080102	SCREW, M8X10		1		1				
36	1	22137-080000	WASHER, 8		1		1				
37	1	124770-34800	DIPSTICK, OIL	1	1	1	1				
38	1	24311-000090	O-RING, 1AP9.0	1	1	1	1				
39	1	124770-34710	PIPE	1	1	1	1				

Remarks
(1)OPTIONAL

Fig.8. LUB.OIL SYSTEM



(A)=2QM20
(B)=3QM30
(C)=2QM

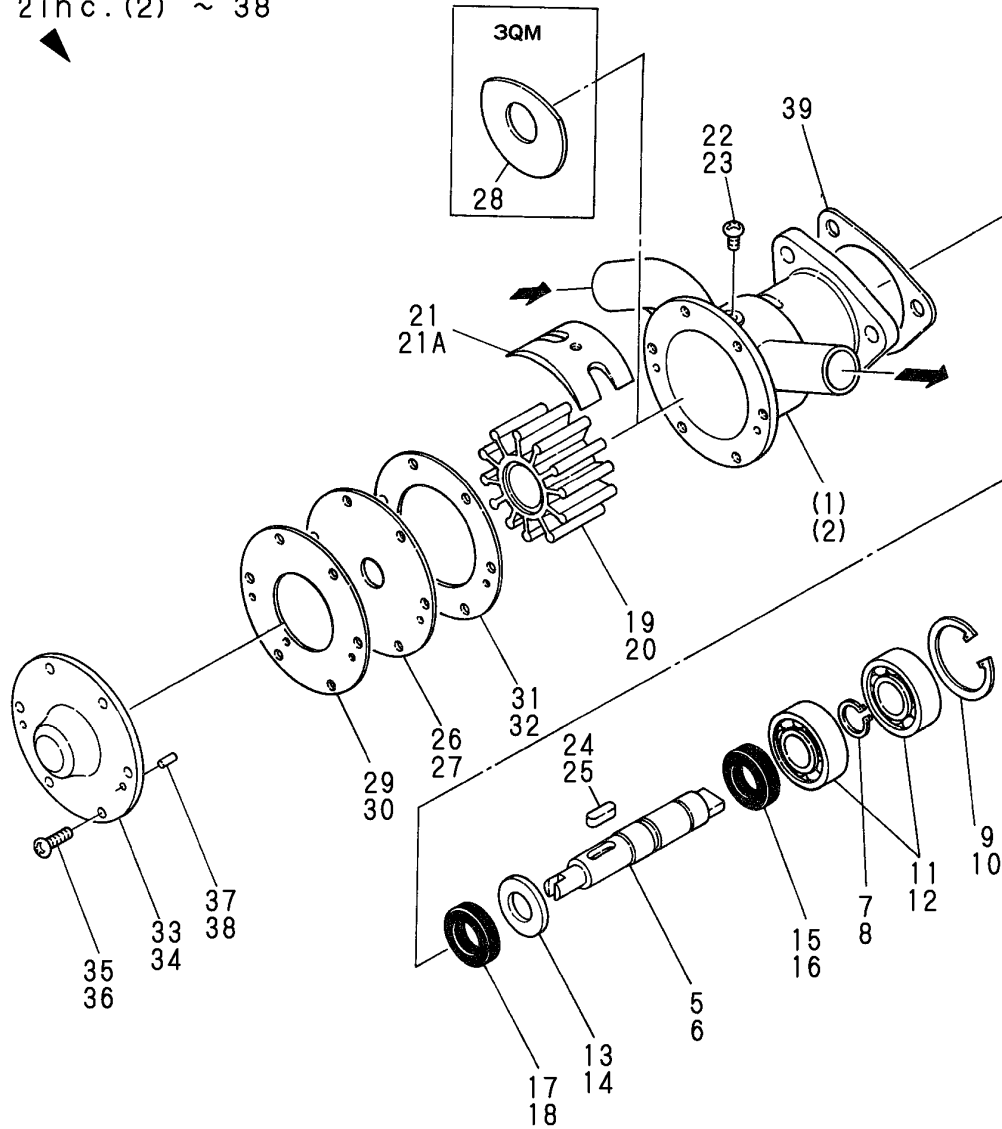
(D)=3QM
(E)=
(F)=

No.	Lev.	Parts No.	Description	Q'ty						I	R
				(A)	(B)	(C)	(D)	(E)	(F)		
40	1	124770-34720	BOLT	1	1	1	1				
41	1	124770-34730	GASKET	2	2	2	2				
42	1	124770-34750	RETAINER	1	1	1	1				
43	1	26117-080149	BOLT M 8X 14 PLATED	1	1	1	1				
44	1	22212-080000	SPRING WASHER 8	1	1	1	1				
44-1	1	22217-080000	WASHER, SPRING 8	1	1	1	1				N
		(A=EXXX)	(B=EXXX)	(C=EXXX)	(D=EXXX)						
45	1	121370-35080	RETAINER, PIPE		1		1				
46	1	26116-060142	BOLT, M6X 14 PLATED		1		1				
47	1	22212-060000	SPRING WASHER 6		1		1				
47-1	1	22217-060000	WASHER, SPRING 6		1		1				N
		(B=EXXX)	(D=EXXX)								
48	1	724772-39500	PUMP ASSY, WASTE	1	1	1	1				1
50	2	104214-39650	JOINT, PIPE	1	1	1	1				
51	2	124772-39950	PIPE, VINYL 7.5X1000	1	1	1	1				
52	2	23010-012000	CLAMP, 12	1	1	1	1				
53	2	23414-140000	GASKET, 14X1.0	1	1	1	1				
54	1	124450-35110	O-RING	1	1	1	1				

Remarks
(1)OPTIONAL

Fig.9. C.S.W.PUMP & BILGE PUMP

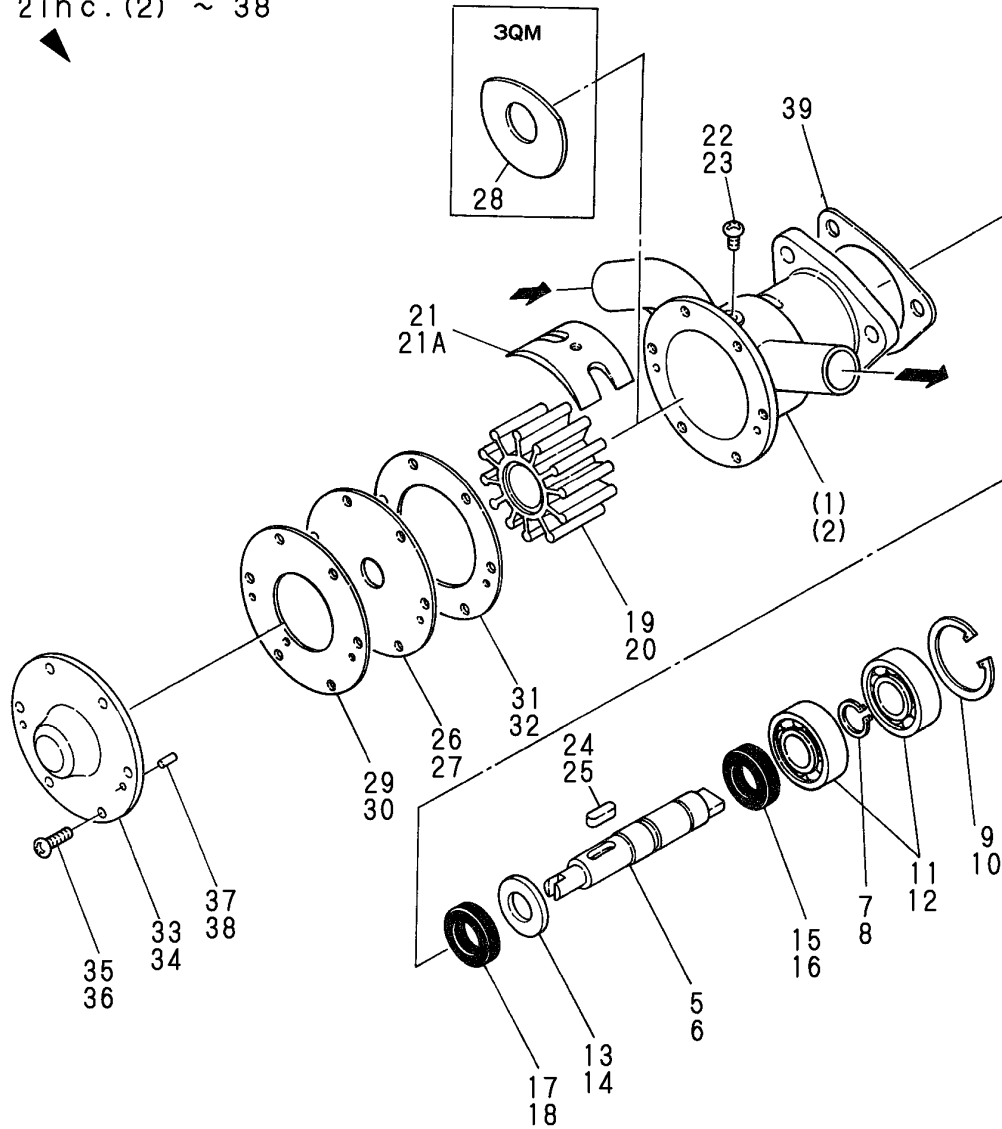
1 inc. (1) ~ 37
 2 inc. (2) ~ 38



No.	Lev.	Parts No.	Description	Q'ty						I	R
				(A)	(B)	(C)	(D)	(E)	(F)		
1	1	724770-42700	PUMP ASSY, WATER	1	1	1					
1-1	1	724770-42701	PUMP ASSY, WATER	1	1	1					N
				(A=E/#86258) (B=E/#82252) (C=E/#82245)							
2	1	721390-42700	PUMP ASSY, WATER								1
2-1	1	721390-42701	PUMP ASSY, WATER								1
				(D=E/#82220)							
5	2	124770-42030	SHAFT	1	1	1					
5-1	2	124772-42130	SHAFT	1	1	1					S
				(A=E/#86258) (B=E/#82252) (C=E/#82245)							
6	2	121390-42030	SHAFT								1
6-1	2	121390-42130	SHAFT								1
				(D=E/#82220)							
7	2	22242-000150	RING, 15	1	1	1					
8	2	22242-000170	RING, 17								1
9	2	22252-000350	RING, 35	1	1	1					
10	2	22252-000400	RING, 40								1
11	2	24101-062024	BEARING, BALL 6202	2	2	2					
12	2	24101-062034	BEARING, BALL 6203								2
13	2	124223-42070	PIECE	1	1	1					
14	2	145410-46070	RING								1
15	2	124223-42160	SEAL, TC15X30X7	1	1	1					
16	2	145410-46080	OIL SEAL TC17328								1
17	2	124223-42080	SEAL, TC13X28X7	1	1	1					
18	2	145410-46080	OIL SEAL TC17328								1
19	2	124223-42091	IMPELLER	1	1	1					
20	2	145410-46090	IMPELLER, C. WATER								1
21	2	124223-42100	CAM, IMPELLER	1	1	1					
21-1	2	124323-42100	CAM, IMPELLER	1	1	1					N
				(A=E/XXX) (B=E/XXX) (C=E/XXX)							
21A	2	145410-46100	CAM, IMPELLER								1
22	2	26554-040102	SCREW, M4X10	1	1	1					
23	2	26554-050082	SCREW, M5X 8								1
24	2	124223-42040	KEY	1	1	1					
25	2	145410-46040	KEY								1
26	2	124223-42120	PLATE	1	1	1					
				(A=E/#86258) (B=E/#82252) (C=E/#82245)							
27	2	121390-46130	PLATE								1
				(D=E/#82220)							
28	2	145410-46120	PLATE (A)								1
29	2	124223-42140	GASKET	1	1	1					
				(A=E/#86258) (B=E/#82252) (C=E/#82245)							
30	2	121390-42140	GASKET								1
				(D=E/#82220)							
31	2	124223-42110	GASKET, WATER PUMP	1	1	1					
32	2	145410-46110	PACKING								1
33	2	124223-42150	COVER	1	1	1					
33-1	2	121575-42150	COVER	1	1	1					
				(A=E/#86258) (B=E/#82252) (C=E/#82245)							
34	2	121390-42150	COVER								1
34-1	2	145410-46130	PLATE (B)								1
				(D=E/#82220)							

Fig.9. C.S.W.PUMP & BILGE PUMP

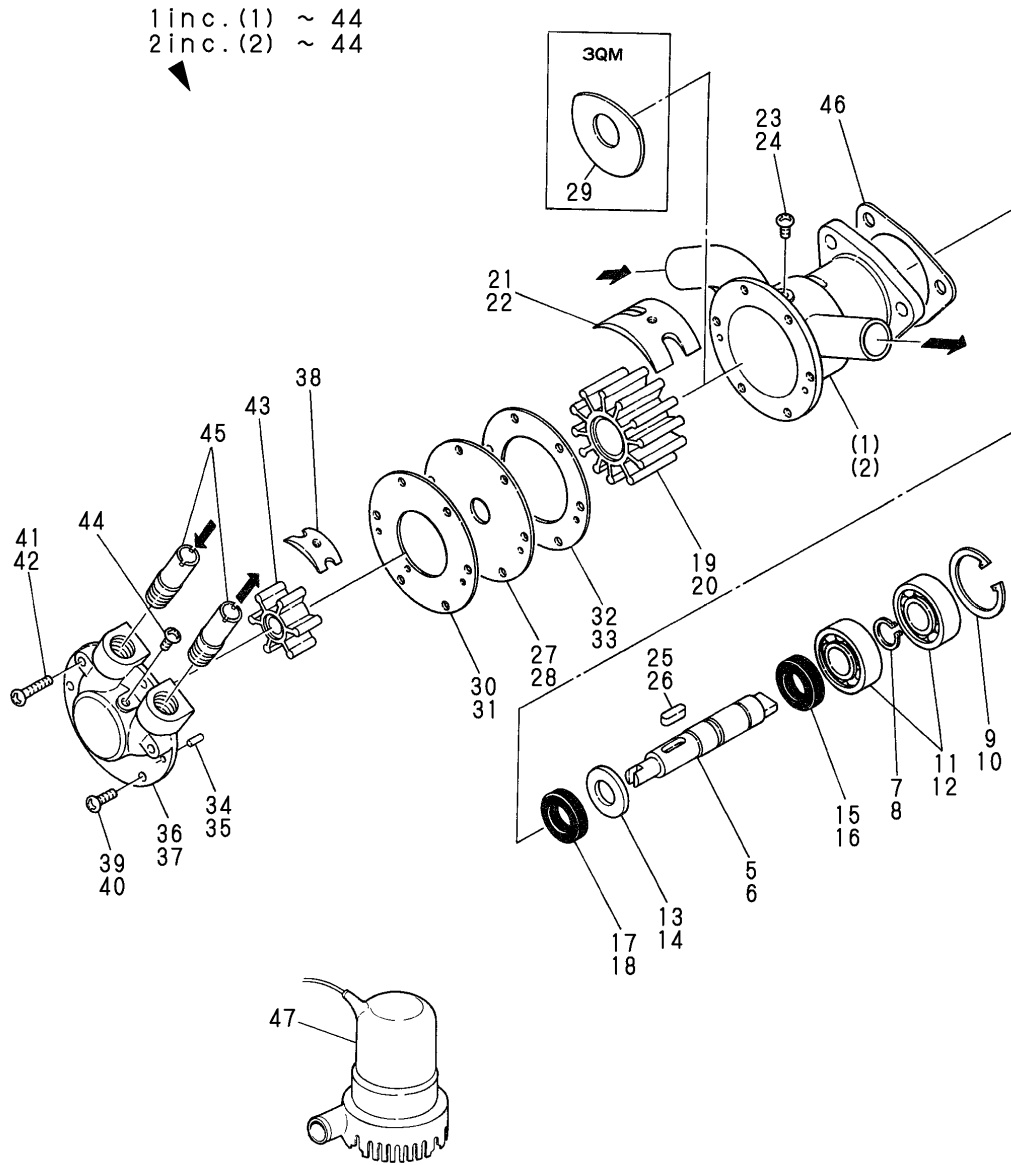
1 inc. (1) ~ 37
 2 inc. (2) ~ 38



No.	Lev.	Parts No.	Description	Q'ty						I	R
				(A)	(B)	(C)	(D)	(E)	(F)		
35	2	26554-040122	SCREW, M4X12	6	6	6					
35-1	2	26554-040082	SCREW, M4X 8	6	6	6					S
		(A=E/#86258) (B=E/#82252) (C=E/#82245)									
36	2	26113-060169	BOLT, M6X 16							6	
36-1	2	26113-060102	BOLT, M6X 10							6	S
		(D=E/#82220)									
37	2	22312-030080	PIN, PARALLEL M3X 8	2	2	2					Z
		(A=E/#86258) (B=E/#82252) (C=E/#82245)									
38	2	22312-040100	PARALLEL PIN 4X10							2	Z
		(D=E/#82220)									
39	1	124223-42020	GASKET, WATER PUMP	1	1	1	1				

Fig.10. C.S.W.PUMP & BILGE PUMP

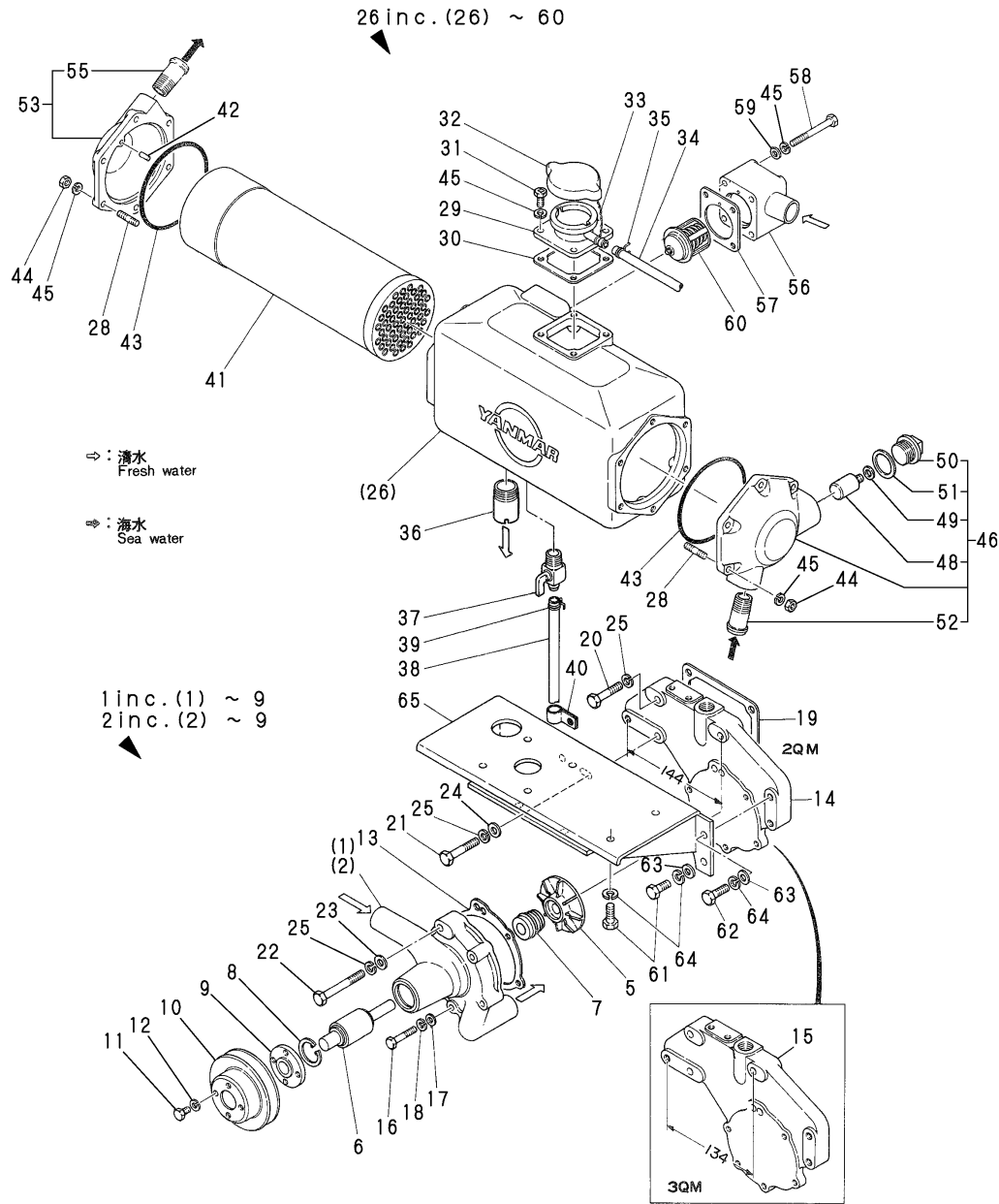
(A)=2QM20
(B)=3QM30
(C)=2QM
(D)=3QM
(E)=
(F)=



No.	Lev.	Parts No.	Description	Qty						I	R
				(A)	(B)	(C)	(D)	(E)	(F)		
1	1	724770-42500	PUMP ASSY, WATER	1	1	1					
2	1	721390-42500	PUMP ASSY, WATER						1		
5	2	124770-42030	SHAFT	1	1	1					
6	2	121390-42030	SHAFT						1		
7	2	22242-000150	RING, 15	1	1	1					
8	2	22242-000170	RING, 17						1		
9	2	22252-000350	RING, 35	1	1	1					
10	2	22252-000400	RING, 40						1		
11	2	24101-062024	BEARING, BALL 6202	2	2	2					
12	2	24101-062034	BEARING, BALL 6203						2		
13	2	124223-42070	PIECE	1	1	1					
14	2	145410-46070	RING						1		
15	2	124223-42160	SEAL, TC15X30X7	1	1	1					
16	2	145410-46080	OIL SEAL TC17328						1		
17	2	124223-42080	SEAL, TC13X28X7	1	1	1					
18	2	145410-46080	OIL SEAL TC17328						1		
19	2	124223-42091	IMPELLER	1	1	1					
20	2	145410-46090	IMPELLER, C. WATER						1		
21	2	124323-42100	CAM, IMPELLER	1	1	1					
22	2	145410-46100	CAM, IMPELLER						1		
23	2	26554-040102	SCREW, M4X10	1	1	1					
24	2	26554-050082	SCREW, M5X 8						1		
25	2	124223-42040	KEY	1	1	1					
26	2	145410-46040	KEY						1		
27	2	124223-42120	PLATE	1	1	1					
28	2	121390-46130	PLATE						1		
29	2	145410-46120	PLATE (A)						1		
30	2	124223-42140	GASKET	1	1	1					
31	2	121390-42140	GASKET						1		
32	2	124223-42110	GASKET, WATER PUMP	1	1	1					
33	2	145410-46110	PACKING						1		
34	2	22312-030080	PIN, PARALLEL M3X 8	2	2	2					
35	2	22312-040100	PARALLEL PIN 4X10						2		
36	2	124223-46011	BODY, BILGE PUMP	1	1	1					
37	2	121390-46010	BODY, BILGE PUMP						1		
38	2	104211-42050	CAM	1	1	1					
39	2	26554-040122	SCREW, M4X12	4	4	4					
40	2	26113-060169	BOLT, M6X 16						4		
41	2	26554-040222	SCREW, M4X22	2	2	2					
42	2	26113-060259	BOLT M 6X 25						2		
43	2	104211-42070	IMPELLER	1	1	1	1				
44	2	26554-040062	SCREW, M4X 6	1	1	1	1				
45	1	124223-46150	JOINT, PIPE	2	2	2	2				
46	1	124223-42020	GASKET, WATER PUMP	1	1	1	1				
47	1	977783-00121	PUMP 12V, BILGE			1	1				1

Remarks
(1)OPTIONAL

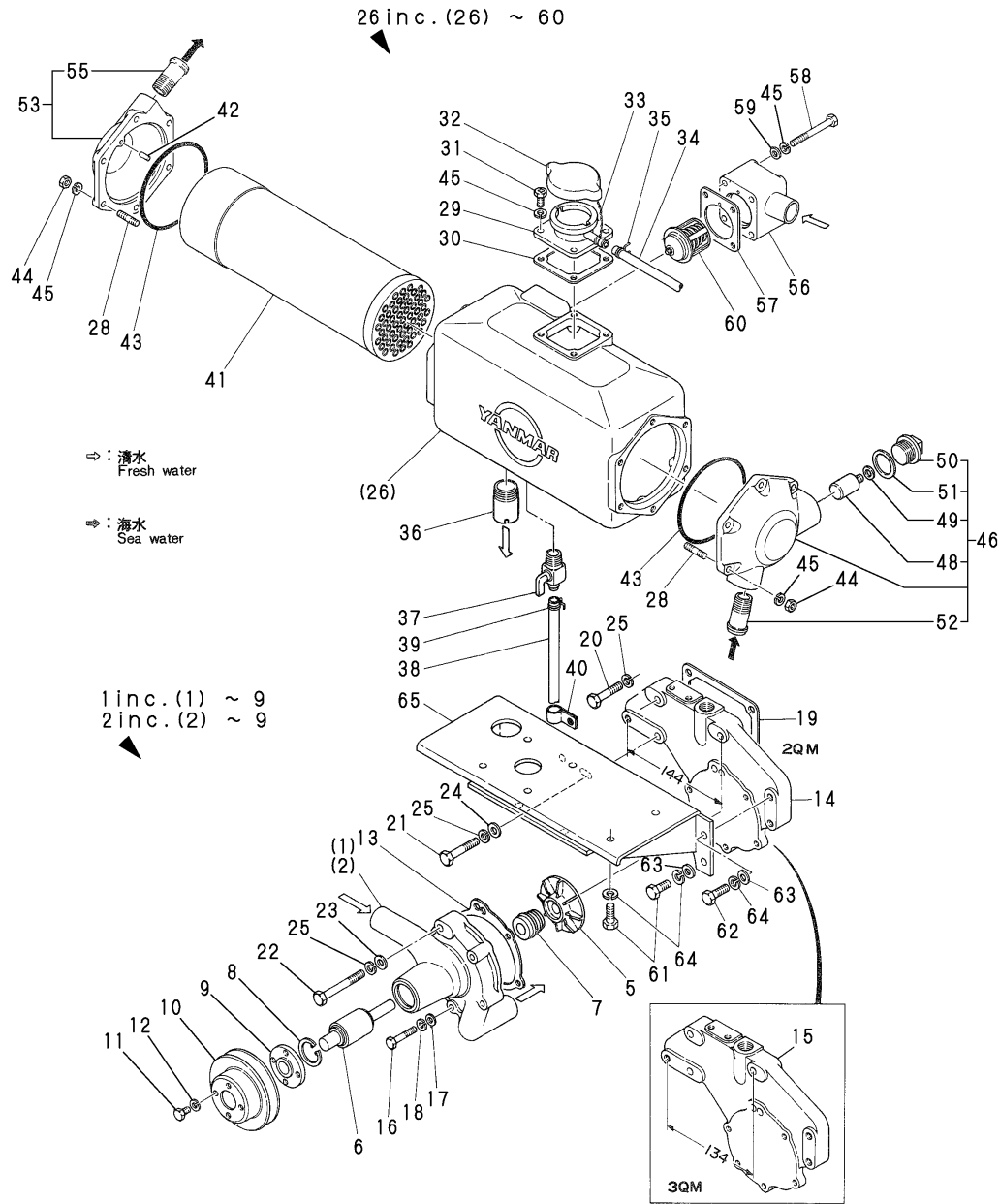
Fig.11. C.F.W.PUMP & C.F.W.COOLER



No.	Lev.	Parts No.	Description	Qty						I	R
				(A)	(B)	(C)	(D)	(E)	(F)		
1	1	724790-43700	PUMP ASSY, WATER	1		1					
2	1	721390-43700	PUMP ASSY, WATER		1			1			
5	2	124250-42200	IMPELLER	1	1	1	1				
6	2	124250-42240	SHAFT	1	1	1	1				
7	2	124250-42350	SEAL, MECHANICAL	1	1	1	1				
8	2	124250-42170	CIRCLIP	1	1	1	1				
9	2	124250-42260	FLANGE, V-PULLEY	1	1	1	1				
10	1	124750-42350	V-PULLEY	1	1	1	1				
11	1	26116-060122	BOLT, M6X 12 PLATED	4	4	4	4				
12	1	22212-060000	SPRING WASHER 6					4	4		
12-1	1	22217-060000	WASHER, SPRING 6					4	4		N
		(A=EXXX) (B=EXXX) (C=EXXX) (D=EXXX)									
13	1	124790-42050	GASKET, WATER PUMP	1	1	1	1				
14	1	124790-42120	BRACKET, PUMP	1		1					
15	1	121390-42120	BRACKET, PUMP		1		1				
16	1	26116-060352	BOLT, M6X 35 PLATED	5	5	5	5				
17	1	22137-060000	WASHER, 6	5	5	5	5				
18	1	22212-060000	SPRING WASHER 6					5	5		
18-1	1	22217-060000	WASHER, SPRING 6	5	5	5	5				N
		(A=EXXX) (B=EXXX) (C=EXXX) (D=EXXX)									
19	1	124450-44410	GASKET	1	1	1	1				
20	1	26116-080402	BOLT, M8X 40 PLATED	2	2	2	2				
21	1	26116-080452	BOLT, M8X 45 PLATED	1	1	1	1				
22	1	26116-080652	BOLT, M8X 65 PLATED	1	1	1	1				
23	1	22137-080000	WASHER, 8	1	1	1	1				
24	1	22157-080000	WASHER, 8	1	1	1	1				
25	1	22212-080000	SPRING WASHER 8					4	4		
25-1	1	22217-080000	WASHER, SPRING 8	4	4	4	4				N
		(C=EXXX) (D=EXXX)									
26	1	724790-44500	COOLER ASSY, WATER	1	1	1	1				
28	2	26226-060182	STUD, M6X 18	12	12	12	12				
29	2	123672-44190	FILLER ASSY	1	1	1	1				
30	2	123672-44200	GASKET	1	1	1	1				
31	2	26117-060169	BOLT, M6X 16 PLATED	4	4	4	4				
32	2	123672-44210	CAP	1	1	1	1				
33	2	123682-44220	CHAIN	1	1	1	1				
34	2	23061-070700	PIPE, 7X 700					1	1		
34-1	2	23061-070650	PIPE 7X 650	1	1	1	1				N
		(C=*1977.03) (D=*1977.03)									
35	2	124450-44560	RETAINER					1	1		
35-1	2	124460-77680	RETAINER	1	1	1	1				N
		(C=*1976.12) (D=*1976.12)									
36	2	124790-49600	JOINT, PIPE	1	1	1	1				
37	2	104200-11920	COCK, WATER					1	1		
37-1	2	43600-500310	COCK	1	1	1	1				S
		(C=E/#81899) (D=E/#81809)									
38	2	23061-100500	PIPE, 10X 500					1	1		
38-1	2	23061-120600	PIPE, 12X 600	1	1	1	1				S
		(C=E/#81899) (D=E/#81809)									
39	2	124223-49750	CLIP, HOSE 13					1	1		
39-1	2	23010-017000	CLAMP, 17	1	1	1	1				S

Remarks
(1) NOT ILLUSTRATED.

Fig.11. C.F.W.PUMP & C.F.W.COOLER

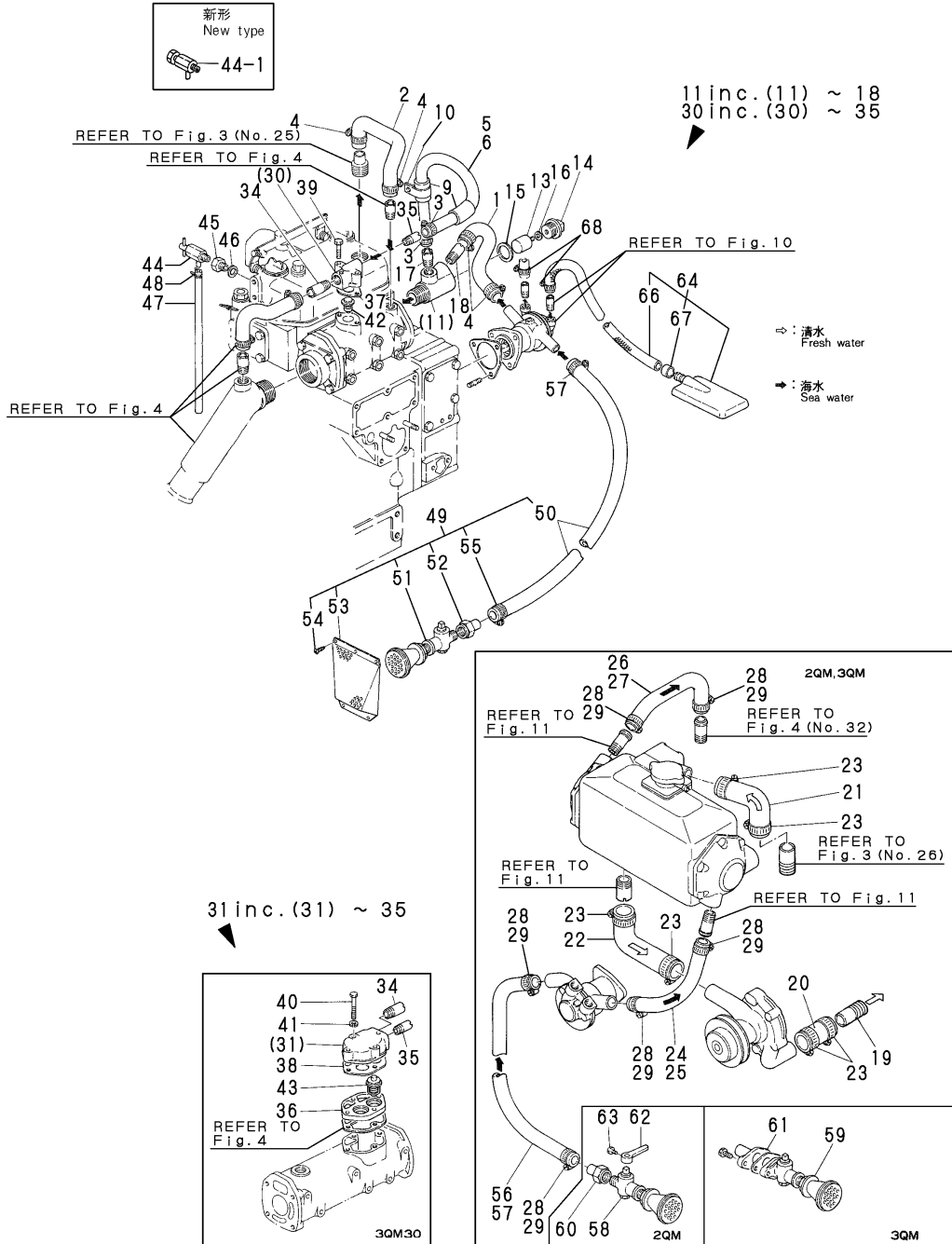


No.	Lev.	Parts No.	Description	Q'ty						I	R
				(A)	(B)	(C)	(D)	(E)	(F)		
			(B=E/#81577) (C=E/#81899)								
40	2	103884-03160	SUPPORT			1	1				
40-1	2	120445-77950	SUPPORT	1	1	1	1				S
			(C=E/#81899) (D=E/#81809)								
41	2	124790-44400	CORE, COOLER	1	1	1	1				
42	2	124790-44470	PIN	1	1	1	1				
43	2	24311-000950	O-RING, 1AP95.0	2	2	2	2				
44	2	26716-060002	NUT, M6	12	12	12	12				
45	2	22212-060000	SPRING WASHER 6			20	20				
45-1	2	22217-060000	WASHER, SPRING 6 (C=E/XXX) (D=E/XXX)	20	20	20	20				N
46	2	724790-44550	COVER ASSY	1	1	1	1				
48	3	27210-200300	ZINC, SCREW20X30	1	1	1	1				
49	3	123210-09310	GASKET	1	1	1	1				
50	3	124220-09320	PLUG	1	1	1	1				
51	3	23414-250000	GASKET, 25X1.0	1	1	1	1				
52	3	123325-49220	JOINT, PIPE	1	1	1	1				
53	2	724790-44560	COVER ASSY	1	1	1	1				
55	3	123325-49220	JOINT, PIPE	1	1	1	1				
56	2	124790-49750	HOUSING, THERMOSTAT	1	1	1	1				
57	2	124790-49760	GASKET	1	1	1	1				
58	2	26116-060602	BOLT, M6X 60 PLATED	4	4	4	4				
59	2	22137-060000	WASHER, 6	4	4	4	4				
60	2	124790-49800	THERMOSTAT	1	1	1	1				
61	1	26116-080202	BOLT, M8X 20 PLATED	10	10	10	10				
62	1	26116-080252	BOLT, M8X 25 PLATED	1	1	1	1				
63	1	22137-080000	WASHER, 8	4	4	4	4				
64	1	22212-080000	SPRING WASHER 8			11	11				
64-1	1	22217-080000	WASHER, SPRING 8 (C=E/XXX) (D=E/XXX)	11	11	11	11				N
65	1	124790-44100	BRACKET, EXCHANGER	1	1	1	1				
66	1	120445-44530	TANK, SUB	1	1						1
67	1	120445-44540	SUPPORT	1	1						1
68	1	124790-44560	PIPE, WATER L=1000	1	1						1
69	1	23010-013000	CLAMP 13	1	1						1

Remarks
(1) NOT ILLUSTRATED.

Fig.12. COOLING WATER SYSTEM

(A)=2QM20 (D)=3QM
 (B)=3QM30 (E)=
 (C)=2QM (F)=

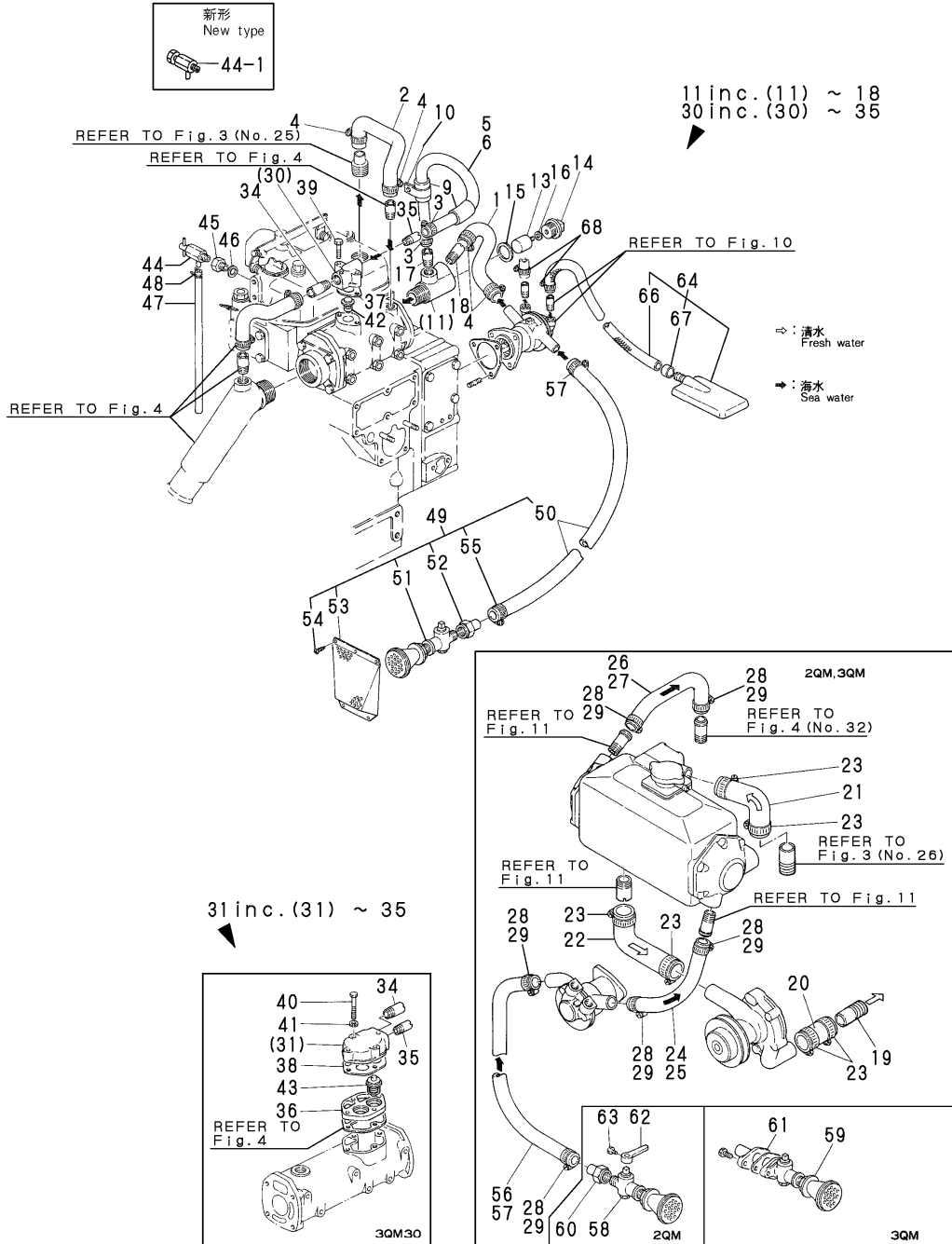


No.	Lev.	Parts No.	Description	Q'ty						I	R
				(A)	(B)	(C)	(D)	(E)	(F)		
1	1	121370-49010	PIPE, WATER	1	1						
2	1	124770-49020	PIPE, WATER	1							
2A	1	121370-49020	PIPE, WATER		1						
3	1	23000-02200	CLAMP, 22	2	2						
4	1	23000-025000	CLAMP, 25	4	4						
5	1	124770-49060	PIPE, WATER	1							
6	1	121370-49060	PIPE, WATER		1						
9	2	105582-49900	PROTECTOR	2	2						
10	1	124770-49310	RETAINER	1	1						
11	1	724770-01450	JOINT ASSY	1	1						
13	2	27210-200300	ZINC, SCREW20X30	1	1						
14	2	124220-09320	PLUG	1	1						
15	2	23414-250000	GASKET, 25X1.0	1	1						
16	2	123210-09310	GASKET	1	1						
17	2	104211-49060	JOINT	1	1						
18	2	124223-49300	JOINT, PIPE	1	1						
19	1	124790-49600	JOINT, PIPE			1	1				
20	1	124790-49510	PIPE, WATER			1	1				
21	1	124790-49520	PIPE, WATER			1	1				
22	1	124790-49530	PIPE, WATER			1	1				
23	1	23000-041000	CLAMP, 41			6	6				
24	1	124790-49010	PIPE, WATER			1					
25	1	121390-49010	PIPE, WATER				1				
26	1	124790-49020	PIPE, WATER			1					
27	1	121390-49020	PIPE, WATER					1			
28	1	23000-025000	CLAMP, 25			6					
29	1	23000-035000	CLAMP, 35					6			
30	1	124770-49190	COVER, THERMOSTAT	1							
31	1	121370-49190	COVER, THERMOSTAT		1						
34	2	124223-49300	JOINT, PIPE	1	1						
35	2	104211-49060	JOINT	1	1						
36	1	121370-49171	BRACKET, THERMOSTAT		1						
37	1	104211-49160	GASKET	1							
38	1	121370-49160	GASKET		1						
39	1	26117-060359	BOLT, M6X 35 PLATED	2							
40	1	26116-060502	BOLT, M6X 50 PLATED	4							
41	1	22212-060000	SPRING WASHER 6	4							
41-1	1	22217-060000 (B=EXXX)	WASHER, SPRING 6	4							N
42	1	124770-49200	THERMOSTAT	1							
43	1	105582-49200	THERMOSTAT		1						
44	1	43600-001200	COCK	1	1						
44-1	1	43600-500290 (A=*1978.12) (B=*1978.12)	COCK 1/4	1	1	1	1				N
45	1	121370-01850	JOINT	1	1	1	1				
46	1	23414-140000	GASKET, 14X1.0	1	1	1	1				
47	1	23061-070300	PIPE, 7X 300	1	1	1	1				
48	1	124450-44560	RETAINER	1	1	1	1				
48-1	1	124460-77680 (A=*1976.12) (B=*1976.12) (C=*1976.12) (D=*1976.12)	RETAINER	1	1	1	1				N
49	1	724770-48100	COCK ASSY, KINGSTON	1	1						

Fig.12. COOLING WATER SYSTEM

(A)=2QM20
(B)=3QM30
(C)=2QM

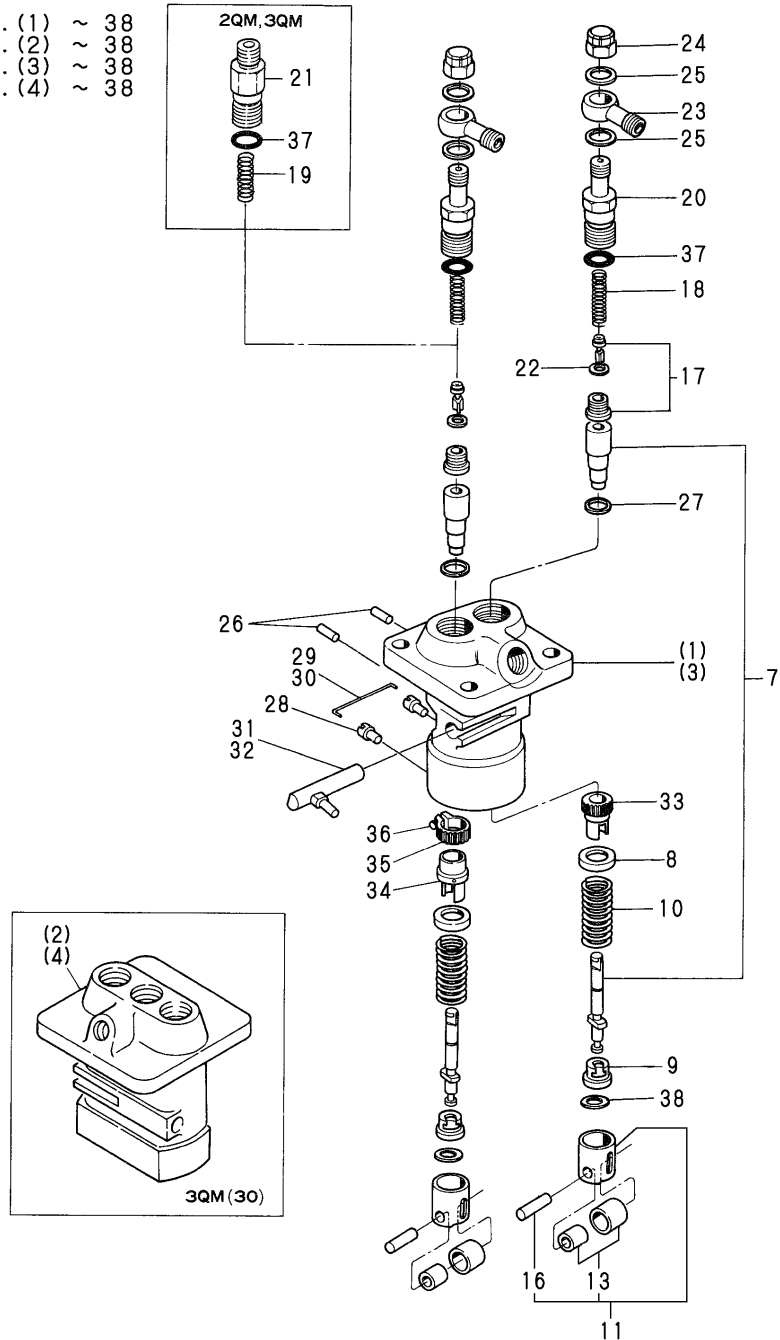
(D)=3QM
(E)=
(F)=



No.	Lev.	Parts No.	Description	Q'ty						I	R
				(A)	(B)	(C)	(D)	(E)	(F)		
50	2	124223-49050	PIPE, WATER	1	1						
51	2	43662-015012	COCK ASSY, SEA WATER	1	1						
52	2	124223-48050	JOINT	1	1						
53	2	43600-500011	COVER	1	1						
54	2	22714-580250	SCREW, 5.8X25	5	5						
55	2	23000-025000	CLAMP, 25	2	2						
56	1	124223-49050	PIPE, WATER				1				
57	1	121390-49050	PIPE, WATER					1			
58	1	43662-015012	COCK ASSY, SEA WATER					1			
59	1	43662-020021	COCK ASSY, SEA WATER						1		
60	1	124223-48050	JOINT				1				
61	1	121390-48750	FLANGE						1		
62	1	124223-48400	HANDLE				1				
63	1	26113-040102	BOLT, M4X 10				1				
64	1	123220-46910	STRAINER, BILGE	1	1	1	1				
66	2	124223-46100	PIPE, BILGE	1	1	1	1				
67	2	124223-46950	RETAINER	1	1	1	1				
68	1	23000-020000	CLAMP 20	2	2	2	2				

Fig.13. FUEL INJECTION PUMP

- 1 inc. (1) ~ 38
- 2 inc. (2) ~ 38
- 3 inc. (3) ~ 38
- 4 inc. (4) ~ 38

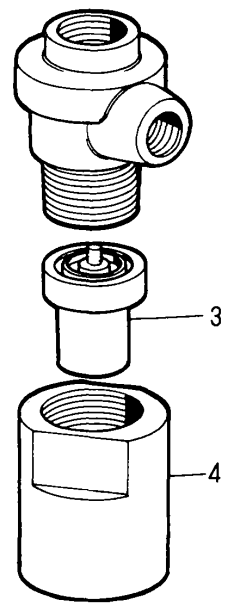
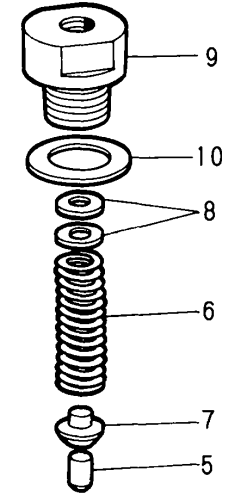
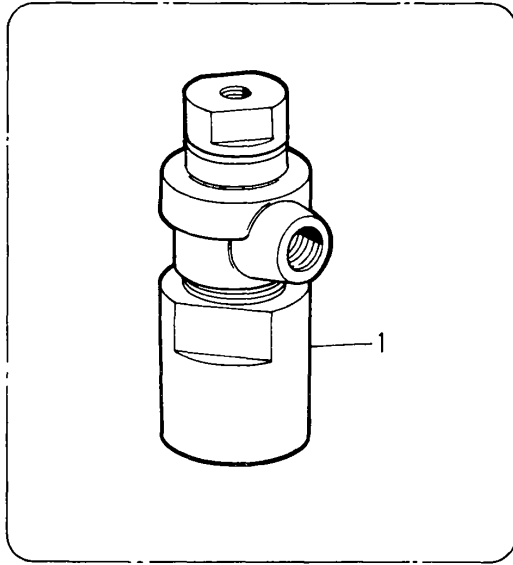


(A)=2QM20
(B)=3QM30
(C)=2QM

(D)=3QM
(E)=
(F)=

No.	Lev.	Parts No.	Description	Q'ty						I	R
				(A)	(B)	(C)	(D)	(E)	(F)		
1	1	724770-51700	PUMP ASSY, INJECTION	1							
2	1	724790-51700	PUMP ASSY, INJECTION				1				
3	1	721370-51700	PUMP ASSY, INJECTION		1						
4	1	721390-51700	PUMP ASSY, INJECTION						1		
7	2	124770-51100	PLUNGER ASSY	2	3	2	3				
8	2	174307-51170	RETAINER, SPRING A	2	3	2	3				
9	2	174307-51180	RETAINER, SPRING	2	3	2	3				
10	2	174307-51190	SPRING, PLUNGER	2	3	2	3				
11	2	724550-51520	GUIDE, PLUNGER	2	3	2	3				
13	3	711100-51540	ROLLER ASSY	2	3	2	3				
16	3	174100-54120	PIN	2	3	2	3				
17	2	124550-51301	VALVE ASSY, DELIVERY	2	3	2	3				
18	2	174307-51320	SPRING, DELIVERY	2	3						
19	2	124550-51320	SPRING, DELIVERY			2	3				
20	2	124550-51340	HOLDER, DELIVERY	2	3						
21	2	124550-51341	HOLDER, DELIVERY L43				2	3			
22	2	124550-51350	GASKET, DELIVERY	2	3	2	3				
23	2	174307-51380	JOINT, PIPE	2	3						
24	2	174307-51370	NUT, CAP	2	3						
25	2	124240-51390	GASKET	4	6						
26	2	174307-51250	PIN, LOCK	2	3	2	3				
27	2	174307-51270	GASKET	2	3	2	3				
28	2	174307-51450	PIECE	2	3	2	3				
29	2	174307-51460	PIN, LOCK	1		1					
30	2	121150-51460	PIN, GUIDE		1		1				
31	2	724240-51530	RACK ASSY, CONTROL	1		1					
32	2	721150-51530	RACK ASSY, CONTROL		1		1				
33	2	174307-51510	SLEEVE	1	1	1	1				
34	2	174307-51550	SLEEVE, PINION	1	2	1	2				
35	2	174307-51560	PINION	1	2	1	2				
36	2	122117-51560	SCREW	1	2	1	2				
37	2	124550-51370	O-RING	2	3	2	3				
38	2	174307-51700	SHIM SET	2	3	2	3				

Fig.14. FUEL INJECTION VALVE



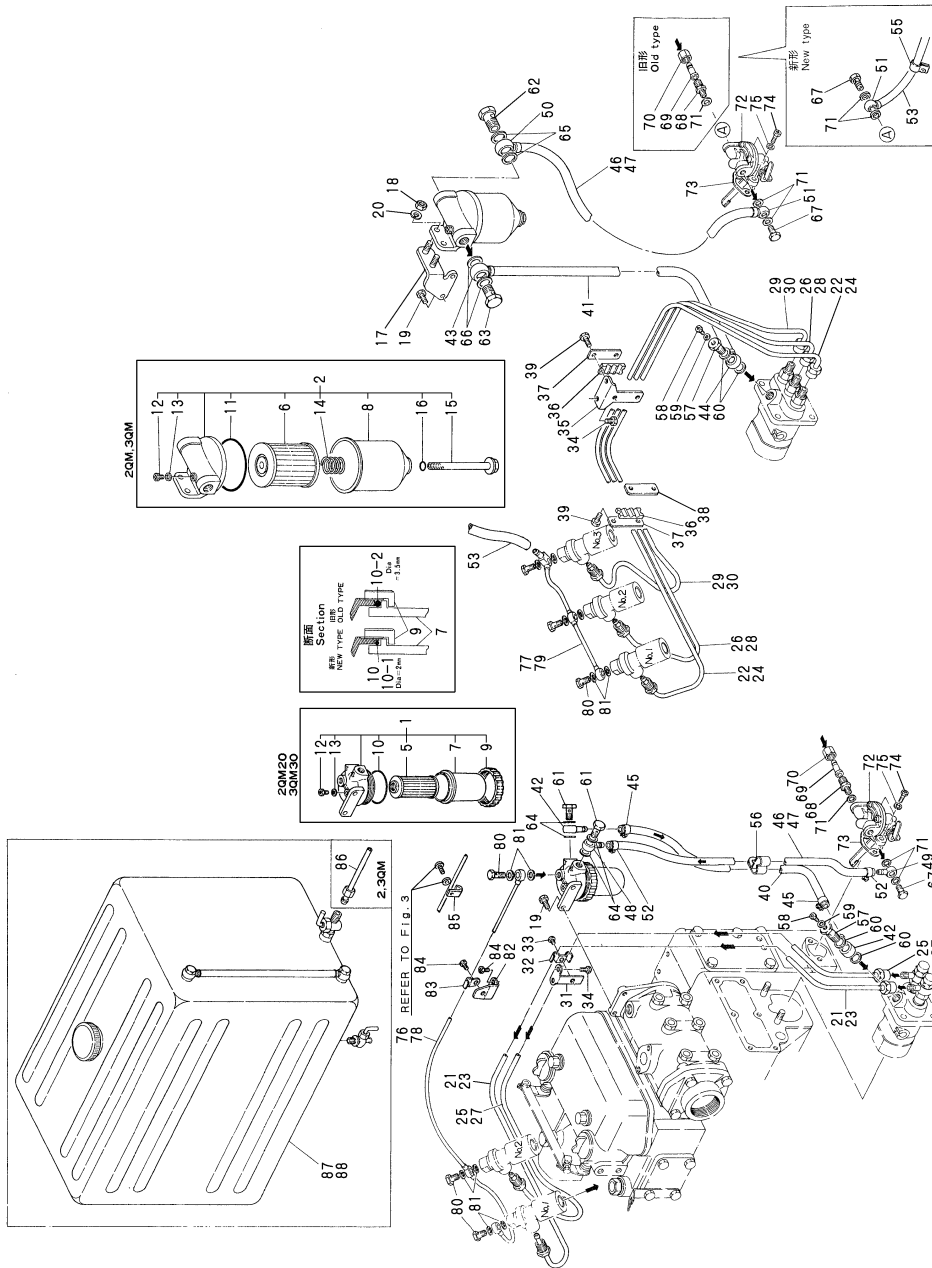
(A)=2QM20
(B)=3QM30
(C)=2QM
(D)=3QM
(E)=
(F)=

No.	Lev.	Parts No.	Description	Q'ty						I	R
				(A)	(B)	(C)	(D)	(E)	(F)		
1	1	724770-53100	VALVE ASSY,INJECTION	2	3	2	3				
3	2	124770-53000	VALVE ASSY,INJECTION	2	3	2	3				
4	2	104900-53080	NUT, NOZZLE	2	3	2	3				
5	2	113200-53110	SPINDLE, INTER	2	3	2	3				
6	2	103854-53120	SPRING, NOZZLE	2	3	2	3				
7	2	113200-53120	RETAINER, SPRING	2	3	2	3				
8	2	110250-53150	PLATE ASSY, ADJUST	2	3	2	3				
9	2	103854-53180	RETAINER, SPRING	2	3	2	3				
10	2	172100-53200	GASKET	2	3	2	3				

Fig.15. FUEL SYSTEM

(A)=2QM20
(B)=3QM30
(C)=2QM

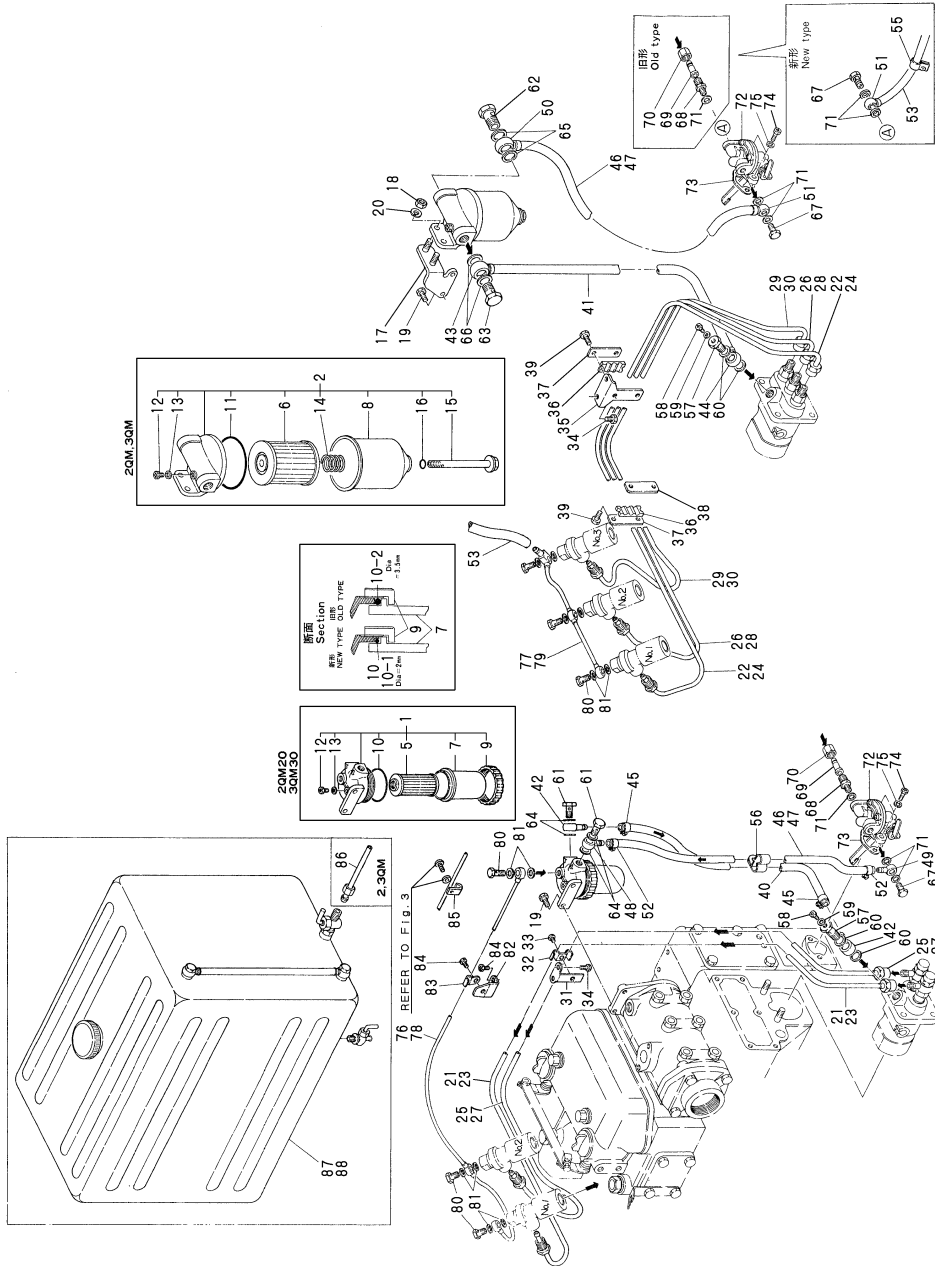
(D)=3QM
(E)=
(F)=



No.	Lev.	Parts No.	Description	Q'ty						I	R
				(A)	(B)	(C)	(D)	(E)	(F)		
1	1	121370-55600	STRAINER ASSY, FUEL	1	1						
1-1	1	121370-55601	STRAINER ASSY, FUEL	1	1						N
		(A)=E/#85483) (B)=E/#81654)									
2	1	724220-55500	FILTER ASSY, FUEL			1	1				
5	2	104500-55710	ELEMENT	1	1						
6	2	124220-35210	ELEMENT			1	1				
7	2	121370-55730	CUP, STRAINER	1	1						
8	2	124220-35220	COVER			1	1				
9	2	110250-55610	RING, RETAINING	1	1						
10	2	110250-55520	GASKET	1	1						
10-1	2	102103-55520	O-RING	1	1						N
		(A)=EXXX) (B)=EXXX)									
10-2	2	24341-000440	O-RING, 1AS44.0	1	1						S
		(A)=E/#86617) (B)=E/#82525)									
11	2	124220-35270	GASKET			1	1				
12	2	111154-51900	PLUG	1	1	1	1				
12-1	2	101720-51900	PLUG	1	1	1	1				N
		(A)=EXXX) (B)=EXXX) (C)=EXXX) (D)=EXXX)									
13	2	23418-060000	GASKET, 6X1.0	1	1	1	1				
14	2	124220-35240	SPRING			1	1				
15	2	124220-35230	BOLT			1	1				
16	2	24311-000120	O-RING, 1AP12.0			1	1				
17	1	124790-55800	BRACKET, STRAINER			1	1				
17-1	1	124790-55810	BRACKET, STRAINER			1	1				N
		(C)=E/#80226) (D)=E/#80181)									
17-2	1	724790-55900	BRACKET ASSY			1	1				N
		(C)=E/#82415) (D)=E/#82324)									
18	1	26716-080002	NUT, M8			2	2				
19	1	26116-060152	BOLT M 6X 15 PLATED	2	2	2	2				
19-1	1	26116-060402	BOLT, M6X 40 PLATED			2	2				S
		(C)=E/#82415) (D)=E/#82324)									
20	1	22212-060000	SPRING WASHER 6			2	2				
20-1	1	22217-060000	WASHER, SPRING 6			2	2				N
		(C)=EXXX) (D)=EXXX)									
20-2	1	22217-060000	WASHER, SPRING 6			2	2				Z
		(C)=E/#82415) (D)=E/#82324)									
21	1	124772-59810	PIPE ASSY, INJECTION	1							
22	1	121370-59810	PIPE, FUEL INJECTION		1						
23	1	124465-59810	PIPE ASSY, INJECTION			1					
24	1	121250-59830	PIPE ASSY, INJECTION					1			
25	1	124772-59820	PIPE ASSY, INJECTION	1							
26	1	121370-59820	PIPE, FUEL INJECTION		1						
27	1	124465-59800	PIPE ASSY, INJECTION			1					
28	1	121250-59820	PIPE ASSY, INJECTION					1			
29	1	121370-59830	PIPE, FUEL INJECTION		1						
30	1	121250-59810	PIPE ASSY, INJECTION					1			
31	1	124460-59850	RETAINER, PIPE	1		1					
32	1	124460-59860	RETAINER, PIPE	1		1					
33	1	26557-060082	SCREW, M6X 8	1		1					
34	1	26117-060109	BOLT M 6X 10 PLATED	2	2	2	2				
35	1	121250-59850	RETAINER			1	1				

Remarks
(1)NOT ILLUSTRATED.

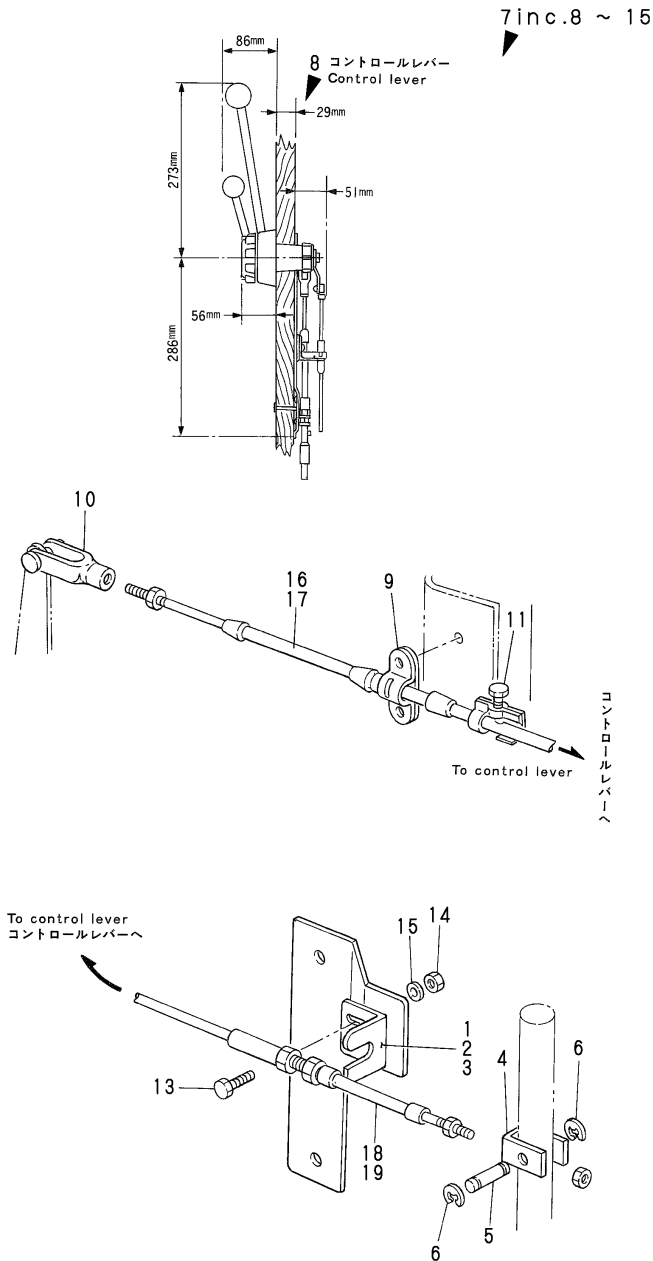
Fig.15. FUEL SYSTEM



No.	Lev.	Parts No.	Description	Q'ty						I	R
				(A)	(B)	(C)	(D)	(E)	(F)		
36	1	123325-59100	RETAINER, PIPE		2		2				
37	1	123325-59110	COVER		2		2				
38	1	121250-59860	BRACKET		1		1				
39	1	26117-060169	BOLT, M6X 16 PLATED			4			4		
40	1	121370-59010	PIPE ASSY, FUEL	1	1						
41	1	124790-59010	PIPE, FUEL L=335				1		1		
42	2	101304-59020	JOINT, PIPE 12	2	2						
43	2	124223-59850	JOINT				1		1		
44	2	104264-59020	JOINT				1		1		
45	2	124460-59050	BAND	2	2						
46	1	121370-59030	PIPE ASSY, FUEL	1	1						
47	1	124790-59030	PIPE, FUEL L=390				1		1		
48	2	101304-59020	JOINT, PIPE 12	1	1						
49	2	105582-59020	JOINT, PIPE 8	1	1						
50	2	120445-59220	JOINT				1		1		
51	2	104264-59030	JOINT, PIPE 8				1		1		
52	2	124460-59050	BAND	2	2						
53	1	124790-59040	PIPE ASSY, FUEL				1		1		
54	2	104264-59030	JOINT, PIPE 8				1		1		1
55	2	124460-59050	BAND				3		3		
56	1	124770-59160	RETAINER	1	1						
57	1	103854-59200	BOLT, M12	1	1	1	1				
58	1	111154-51900	PLUG	1	1	1	1				
59	1	43400-500390	SEAL WASHER 6S	1	1	1	1				
60	1	23414-120000	GASKET, 12X1.0	2	2	2	2				
61	1	23857-060000	BOLT, JOINT 6	2	2						
62	1	23857-120000	BOLT, JOINT 12				1		1		
63	1	23857-100000	BOLT, JOINT 10				1		1		
64	1	23414-120000	GASKET, 12X1.0	4	4						
65	1	23414-180000	GASKET, 18X1.0				2		2		
66	1	23414-160000	GASKET, 16X1.0				2		2		
67	1	105582-59150	BOLT, PIPE JOINT	1	1	1	1				
68	1	124772-59650	UNION	1	1	1	1				
69	1	124772-59660	JOINT	1	1	1	1				
70	1	124772-59670	NUT, CAP	1	1	1	1				
71	1	23414-080000	GASKET, 8X1.0	3	3	3	3				
72	1	105582-52010	PUMP ASSY, FUEL FEED	1	1	1	1				
73	1	124223-01850	GASKET	1	1	1	1				
74	1	26117-060209	BOLT M 6X 20 PLATED	2	2	2	2				
75	1	22212-060000	SPRING WASHER 6	2	2	2	2				
75-1	1	22217-060000	WASHER, SPRING 6	2	2	2	2				N
		(A=EXXX)	(B=EXXX)	(C=EXXX)	(D=EXXX)						
76	1	124772-59500	PIPE ASSY, RETURN	1							
77	1	121370-59500	PIPE, FUEL RETURN		1						
78	1	124790-59501	PIPE ASSY, RETURN				1				
79	1	121390-59501	PIPE ASSY, RETURN						1		
80	1	101147-59810	BOLT, PIPE JOINT M8	3	3	2	3				
81	1	23414-080000	GASKET, 8X1.0	6	6	4	6				
82	1	124770-59600	RETAINER	1	1						
83	1	124770-59610	RETAINER	1	1						
84	1	26117-060109	BOLT M 6X 10 PLATED	3	3						

Remarks
(1)NOT ILLUSTRATED.

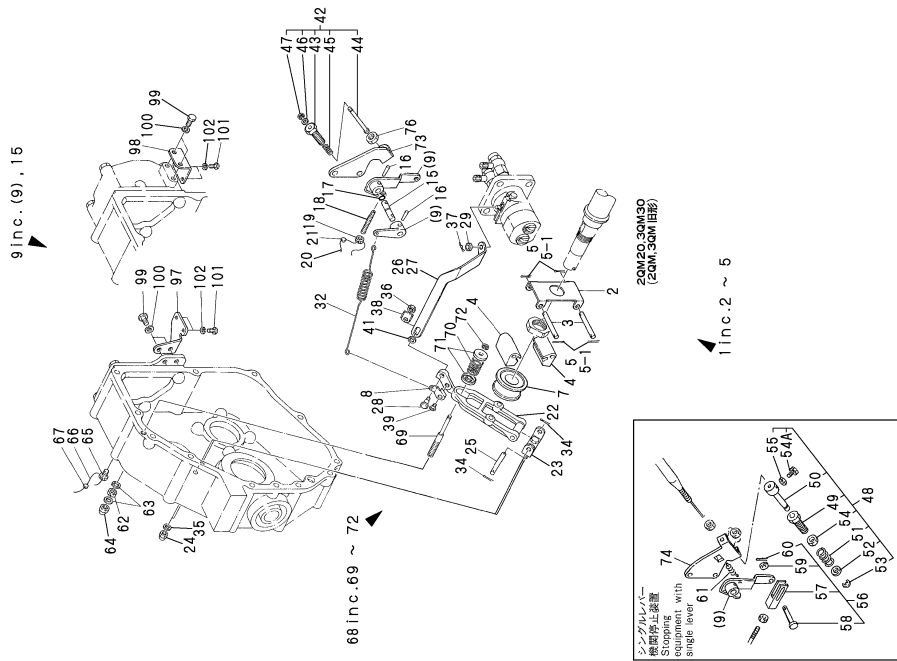
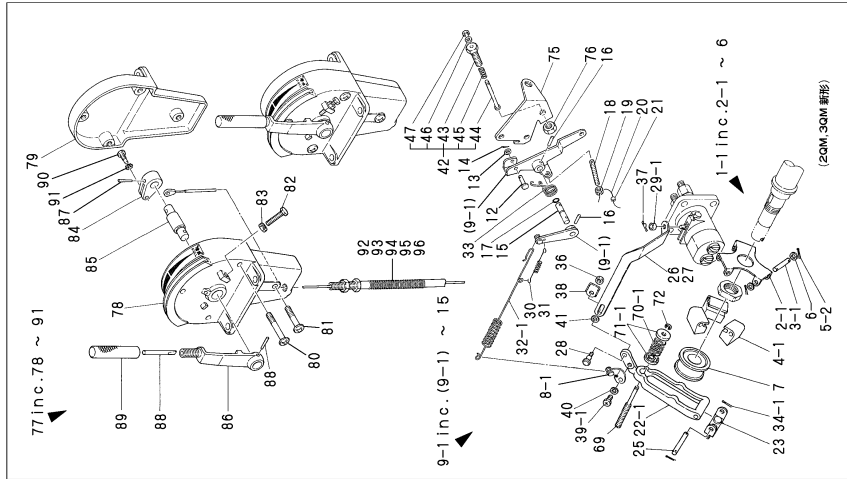
Fig.16. REMOTE-CONTROL DEVICE(OPTIONAL)



No.	Lev.	Parts No.	Description	Q'ty						I	R
				(A)	(B)	(C)	(D)	(E)	(F)		
1	1	124772-86100	BRACKET	1							
2	1	121370-86101	BRACKET		1						
3	1	124790-86100	BRACKET			1	1				
4	1	104214-86030	JOINT	1		1	1				
5	1	41710-000860	PIN	1		1	1				
6	1	22272-000070	RING, E- 7	1		1	1				
7	1	704211-67600	CONTROLLER ASSY	1	1	1	1				
8	2	41710-500130	LEVER	1	1	1	1				
9	2	41710-000410	CLAMP	1	1	1	1				
10	2	41710-000400	CLEVIS	1	1	1	1				
11	2	41710-500140	BRAKE	1	1	1	1				
12	2	41710-500160	NUT	1	1	1	1				1
13	2	26117-060169	BOLT, M6X 16 PLATED	2	2	2	2				
14	2	26716-060002	NUT, M6	2	2	2	2				
15	2	22212-060000	SPRING WASHER 6	2	2	2	2				
15-1	2	22217-060000	WASHER, SPRING 6	2	2	2	2				N
		(A=EXXX) (B=EXXX) (C=EXXX) (D=EXXX)									
16	1	41710-500090	CABLE,REMO-CON	1	1	1	1				
17	1	41710-000380	CABLE L=4000	1	1	1	1				
18	1	41710-500100	CABLE,REMO-CON	1	1	1	1				
19	1	41710-500110	CABLE,REMO-CON	1	1	1	1				
20	1	124772-67110	BRACKET	1	1	1	1				1
21	1	121370-67100	BRACKET	1	1	1	1				1

Remarks
(1)NOT ILLUSTRATED.

Fig.17. GOVERNOR

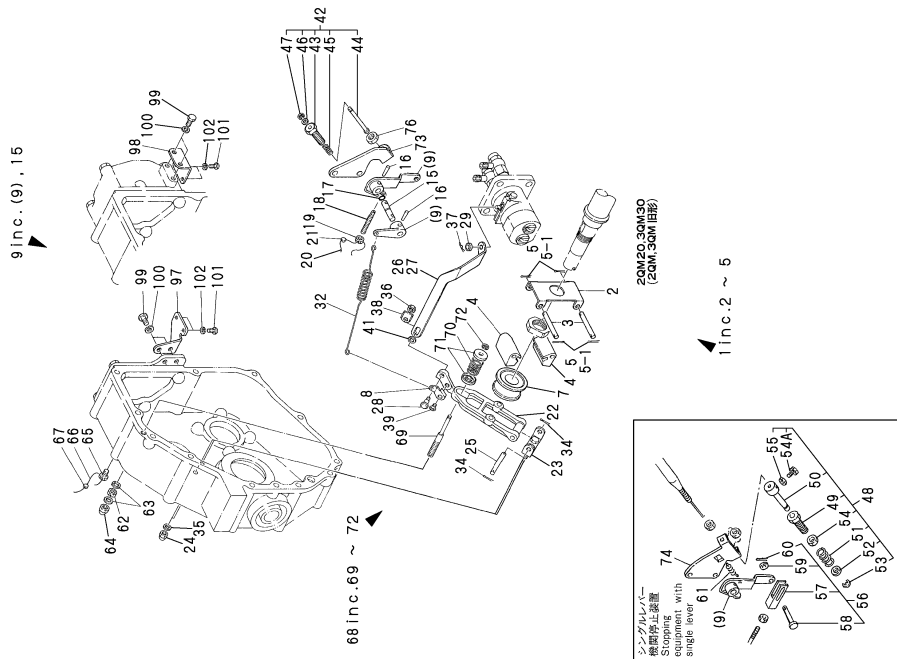
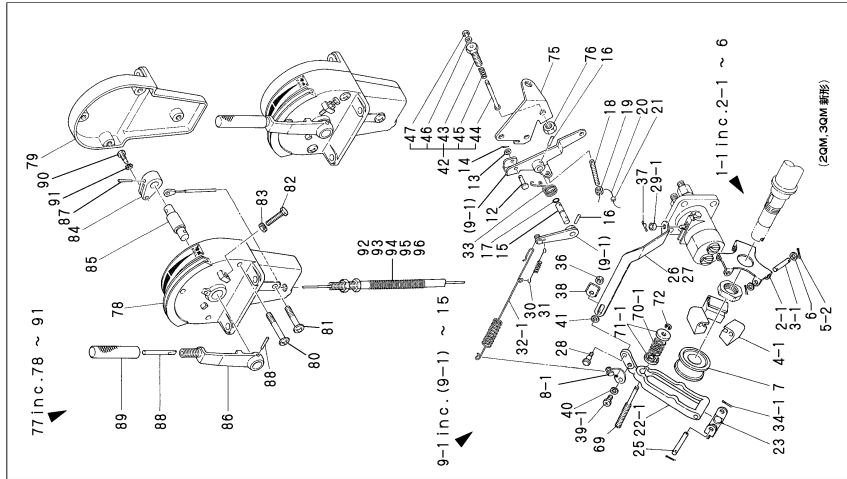


Remarks
 (1)A PART ADDED AND/OR CHANGED DUE TO CHANGE OF GOVERNOR FROM THE 2-POINT TYPE TO THE 3-POINT TYPE FROM JULY, 1976. CHANGED FROM E/#80394 FOR 2QM AND E/#80346 FOR 3QM.

(A)=2QM20
 (B)=3QM30
 (C)=2QM
 (D)=3QM
 (E)=
 (F)=

No.	Lev.	Parts No.	Description	Q'ty						I	R
				(A)	(B)	(C)	(D)	(E)	(F)		
1	1	724770-61520	SUPPORT ASSY, WEIGHT	1	1	1	1				
1-1	1	724790-61520	SUPPORT ASSY, WEIGHT (C=E/#80394) (D=E/#80346)			1	1			S	1
2	2	124770-61110	SUPPORT	1	1	1	1				
2-1	2	124790-61110	SUPPORT, WEIGHT (C=E/#80394) (D=E/#80346)			1	1			S	1
3	2	124450-61220	PIN, GOVERNOR WEIGHT	2	2	2	2				
3-1	2	124790-61220	PIN, GOVERNOR WEIGHT (C=E/#80394) (D=E/#80346)			3	3			S	1
4	2	124450-61200	WEIGHT, GOVERNOR	2	2	2	2				
4-1	2	124790-61200	WEIGHT, GOVERNOR (C=E/#80394) (D=E/#80346)			3	3			S	1
5	2	22411-200200	PIN 2.0* 20	4	4	4	4				
5-1	2	22417-200200	PIN, COTTER 2.0X20 (A=E/XXX) (B=E/XXX)	4	4						N
5-2	2	22411-200200	PIN 2.0* 20 (C=E/#80394) (D=E/#80346)			6	6			K	1
5-3	2	22417-200200	PIN, COTTER 2.0X20 (C=E/XXX) (D=E/XXX)			6	6				N
6	2	22117-060000	WASHER, 6 (C=E/#80394) (D=E/#80346)			6	6			W	1
7	1	124550-61600	SLEEVE, GOVERNOR	1	1	1	1				
8	1	124450-66460	BRACKET	1	1	1	1				
8-1	1	124790-66460	BRACKET (C=E/#80394) (D=E/#80346)			1	1			S	1
9	1	724770-66530	HANDLE ASSY	1	1	1	1				
9-1	1	724790-66530	HANDLE ASSY (C=E/XXX) (D=E/XXX)			1	1				R
12	2	124790-66950	PIN (C=E/#80394) (D=E/#80346)			1	1			W	1
13	2	22113-040000	WASHER, 4 (C=E/#80394) (D=E/#80346)			1	1			W	1
14	2	22414-160100	PIN, COTTER 1.6X10 (C=E/#80394) (D=E/#80346)			1	1			W	1
15	2	124450-66040	SHAFT, HANDLE	1	1	1	1				
16	1	22322-030180	PIN, TAPER 3X18	2	2	2	2				
17	1	24311-000070	O-RING, 1AP7.0	1	1	1	1				
18	1	103854-66420	SCREW	1	1	1	1				
18-1	1	124550-66420	SCREW (A=E/XXX) (C=E/XXX)	1	1	1	1				N
19	1	124550-66370	NUT, M6	1	1	1	1				
20	1	22451-100000	WIRE, 1.0	1	1	1	1				
21	1	135210-61090	LEAD	1	1	1	1				
22	1	124460-66611	LEVER ASSY, GOVERNOR	1	1	1	1				
22-1	1	124790-66600	LEVER, GOVERNOR (C=E/#80394) (D=E/#80346)			1	1			S	1
23	1	124770-66510	SUPPORT	1	1	1	1				
24	1	124450-66520	NUT, CAP	1	1	1	1				
25	1	124450-66550	PIN	1	1	1	1				
26	1	124465-66400	LINK, GOVERNOR	1	1	1	1				
27	1	121250-66400	LINK, GOVERNOR			1	1				

Fig.17. GOVERNOR

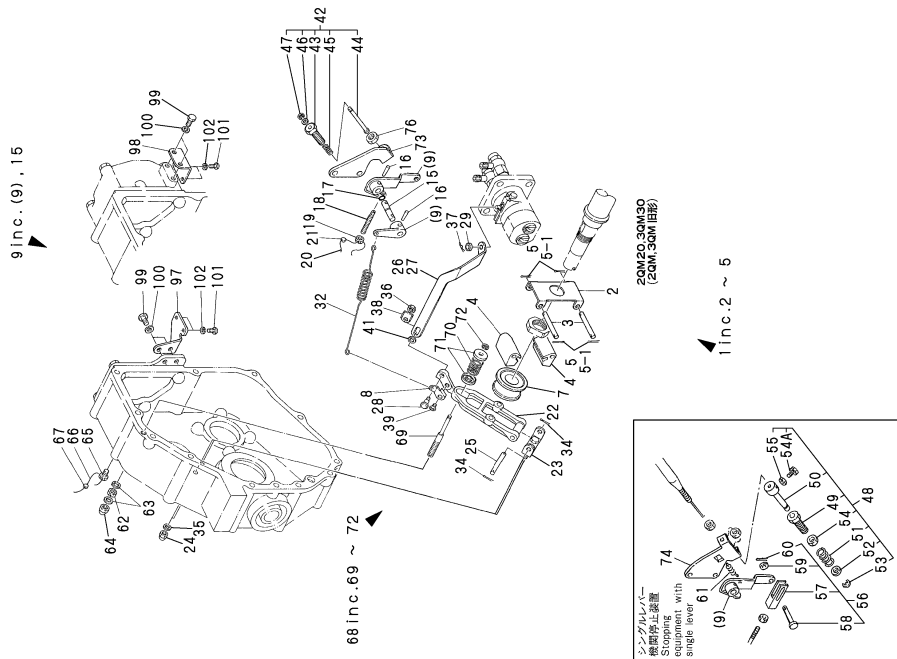
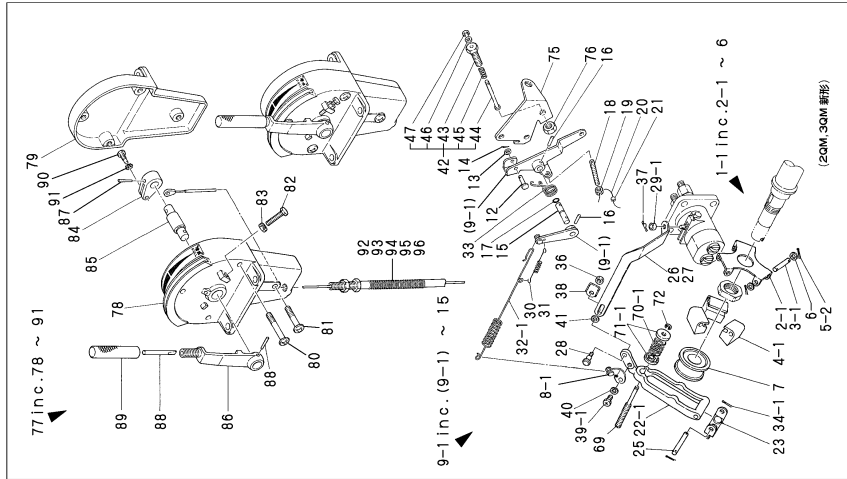


Remarks
 (1)A PART ADDED AND/OR CHANGED DUE TO CHANGE OF GOVERNOR FROM THE 2-POINT TYPE TO THE 3-POINT TYPE FROM JULY, 1976. CHANGED FROM E/#80394 FOR 2QM AND E/#80346 FOR 3QM.

(A)=2QM20
 (B)=3QM30
 (C)=2QM
 (D)=3QM
 (E)=
 (F)=

No.	Lev.	Parts No.	Description	Q'ty						I	R
				(A)	(B)	(C)	(D)	(E)	(F)		
28	1	124450-66411	SCREW	1	1	1	1				
29	1	124450-66420	RETAINER	1	1	1	1				
29-1	1	124790-66420	SPACER			1	1				S
29-2	1	124450-66420	RETAINER (C=E/#80236) (D=E/#80226) (C=E/#80394) (D=E/#80346)			1	1				S 1
30	1	124790-66150	SPRING (C=E/#80236)			1					W
30-1	1	124790-66200	SPRING (C=E/#80394)			1					S 1
30-2	1	124790-66201	SPRING (C=*1976.11)			1					N
31	1	121390-66150	SPRING (D=E/#80226)				1				W
31-1	1	124790-66200	SPRING (D=E/#80346)				1				S
31-2	1	124790-66201	SPRING (D=*1976.11)				1				N
32	1	124772-66010	SPRING, REGULATOR	1	1	1	1				
32-1	1	124790-66010	SPRING, REGULATOR (C=E/#80394) (D=E/#80346)			1	1				S 1
33	1	124790-66081	SPRING, RETURN (C=E/#80236) (D=E/#80226)			1	1				W
34	1	22411-200200	PIN 2.0* 20	2	2	2	2				
34-1	1	22417-200200	PIN, COTTER 2.0X20 (A=E-XXXX) (B=E-XXXX) (C=E-XXXX) (D=E-XXXX)	2	2	2	2				N
35	1	23414-060000	GASKET, 6X1.0	2	2	2	2				
36	1	26756-050002	NUT, LOCK M5	1	1	1	1				
37	1	22360-060000	PIN, SNAP 6	1	1	1	1				
38	1	124460-66400	WASHER	1	1	1	1				
39	1	26557-060082	SCREW, M6X 8	1	1	1	1				
39-1	1	26117-060129	BOLT M 6X 12 PLATED (C=E-XXXX) (D=E-XXXX)			1	1				N
40	1	22212-060000	SPRING WASHER 6			1	1				
40-1	1	22217-060000	WASHER, SPRING 6 (C=E-XXXX) (D=E-XXXX)			1	1				N
41	1	124450-66430	SPACER	1	1	1	1				
42	1	124770-66700	ADJUSTER ASSY	1	1	1	1				
43	2	124770-66711	BODY	1	1	1	1				
44	2	124770-66731	PIN	1	1	1	1				
45	2	124770-66720	SPRING, ADJUSTER	1	1	1	1				
46	2	22137-050000	WASHER, 5	1	1	1	1				
47	2	22272-000040	RING, E- 4	1	1	1	1				
48	1	124772-66700	ADJUSTER ASSY	1	1						
49	2	124772-66710	BODY	1	1						
50	2	124772-66730	PIN	1	1						
51	2	124772-66720	SPRING, ADJUSTER	1	1						
52	2	124772-66760	WASHER	1	1						
53	2	22272-000040	RING, E- 4	1	1						
54	2	124772-66750	NUT, LOCK M12	1	1						
54A	2	26113-050128	BOLT, M5X 12	1	1						

Fig.17. GOVERNOR

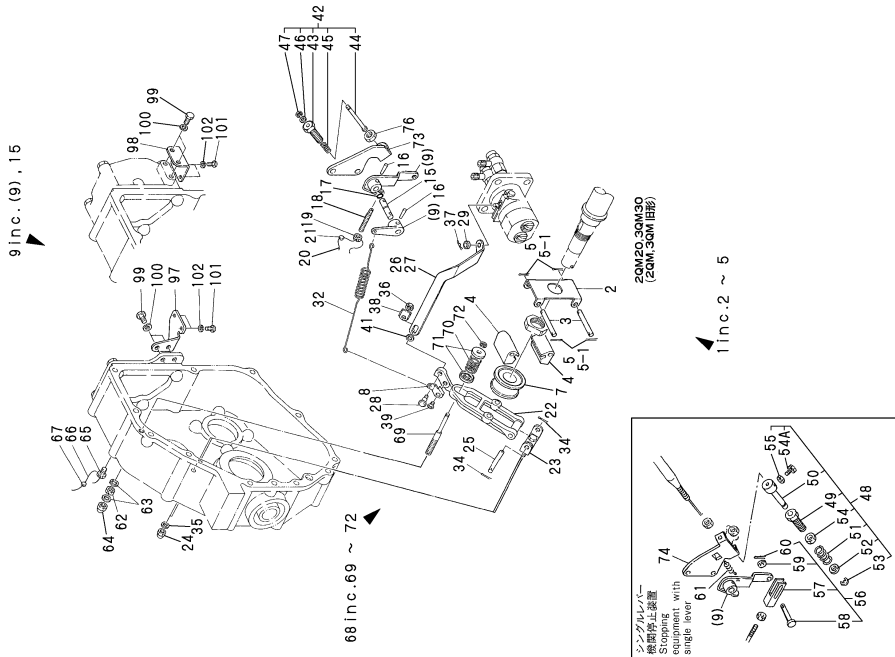
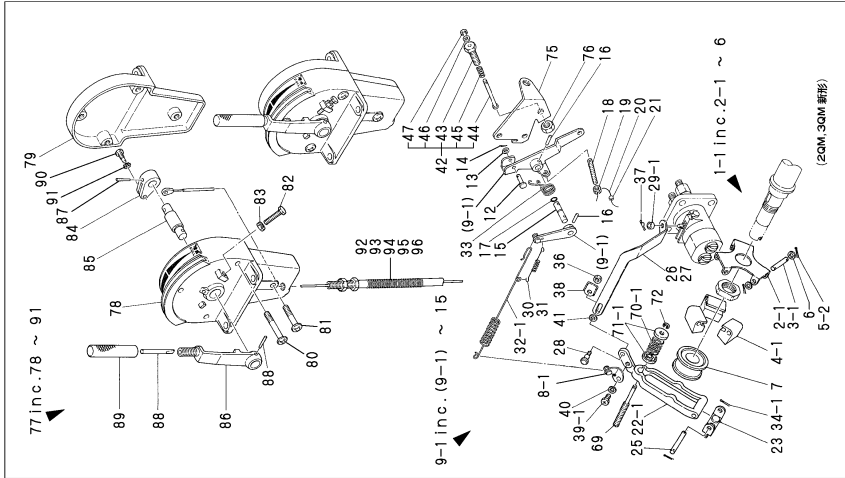


Remarks
 (1) A PART ADDED AND/OR CHANGED DUE TO CHANGE OF GOVERNOR FROM THE 2-POINT TYPE TO THE 3-POINT TYPE FROM JULY, 1976. CHANGED FROM E/#80394 FOR 2QM AND E/#80346 FOR 3QM.

(A)=2QM20
 (B)=3QM30
 (C)=2QM
 (D)=3QM
 (E)=
 (F)=

No.	Lev.	Parts No.	Description	Q'ty						I	R
				(A)	(B)	(C)	(D)	(E)	(F)		
55	2	26753-050002	NUT, LOCK M5	1	1						
56	1	124772-66200	CLEVIS ASSY	1	1						
57	2	124772-66210	CLEVIS	1	1						
58	2	124772-66220	PIN	1	1						
59	2	22113-050000	WASHER, 5	1	1						
60	2	22414-160100	PIN, COTTER 1.6X10	1	1						
61	1	124772-66090	SPRING, RETURN	1	1						
62	1	124772-66890	NUT	1	1	1	1				
63	1	23414-080000	GASKET, 8X1.0	2	2	2	2				
64	1	26667-080002	NUT, CAP M8	1	1	1	1				
65	1	26116-060086	BOLT, M6X 8 PLATED	1	1	1	1				W
		(A=E/#82023) (B=E/#80111) (C=E/#80266) (D=E/#80226)									
66	1	22451-100000	WIRE, 1.0	1	1	1	1				W
		(A=E/#82023) (B=E/#80111) (C=E/#80256) (D=E/#80226)									
67	1	135210-61090	LEAD	1	1	1	1				W
		(A=E/#82023) (B=E/#80111) (C=E/#80256) (D=E/#80226)									
68	1	124772-66800	LIMITER ASSY, FUEL	1	1	1	1				
69	2	124772-66810	SHAFT	1	1	1	1				
70	2	124772-66820	SPRING	1	1	1	1				
70-1	2	124772-66830	RETAINER	2	2	2	2				S
		(A=E/XXX) (B=E/XXX) (C=E/XXX) (D=E/XXX)									
71	2	124772-66830	RETAINER	1	1	1	1				
71-1	2	124772-66840	RETAINER	1	1	1	1				W
		(A=*1976.07) (B=*1976.07) (C=*1976.07) (D=*1976.07)									
72	2	22272-000040	RING, E- 4	1	1	1	1				
73	1	124770-66740	BRACKET, ADJUSTER	1	1						
74	1	124772-66740	BRACKET, ADJUSTER	1	1						
75	1	124790-66740	BRACKET, ADJUSTER			1	1				
76	1	26757-100002	NUT, LOCK M10	1	1	1	1				
76-1	1	26756-100002	NUT, LOCK M10	1	1	1	1				N
		(A=E/XXX) (B=E/XXX) (C=E/XXX) (D=E/XXX)									
77	1	81701-000101	BRACKET ASSY			1	1				
78	2	41701-000201	BRACKET			1	1				
79	2	41701-000221	COVER, BRACKET			1	1				
80	2	26584-080552	SCREW M 8X 55			3	3				
81	2	26584-080452	SCREW M 8X 45			1	1				
82	2	125310-67280	BOLT			1	1				
83	2	125310-67290	NUT			1	1				
84	2	41701-000241	LEVER			1	1				
85	2	41701-000260	SHAFT			1	1				
86	2	41701-000281	HANDLE			1	1				
87	2	22322-040300	PIN, TAPER 4X30			2	2				
88	2	125310-67270	RETAINER			1	1				
89	2	125310-67260	KNOB			1	1				
90	2	41701-000361	PIN			1	1				
91	2	41701-001240	WASHER			1	1				
92	1	41701-000430	CABLE, REMO-CON.			1	1				2
93	1	41701-000440	CABLE, REMO-CON.			1	1				2
94	1	41701-000450	CABLE, REMO-CON.			1	1				2
95	1	41701-000460	CABLE, REMO-CON.			1	1				2
96	1	41701-000470	CABLE, REMO-CON.			1	1				2

Fig.17. GOVERNOR

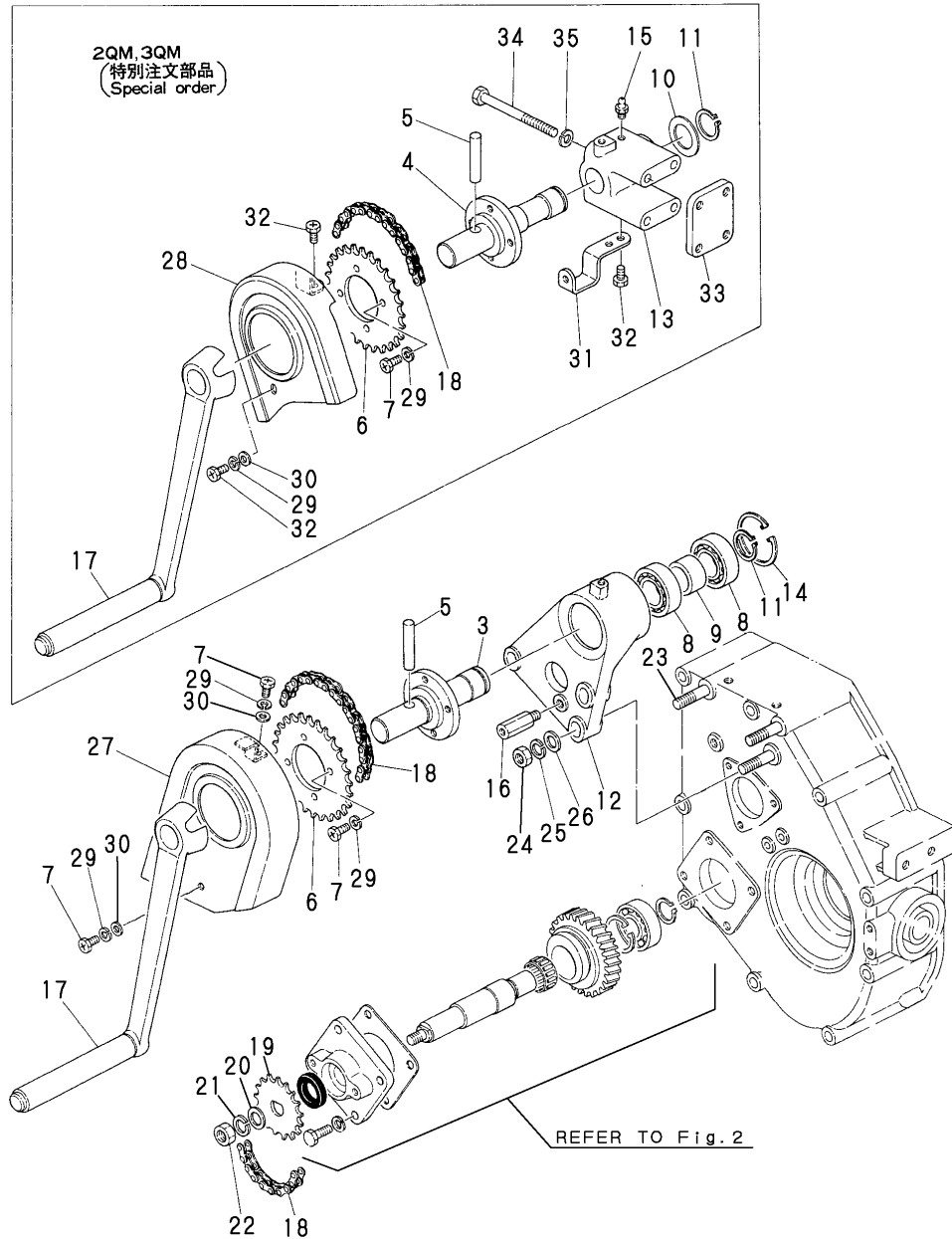


Remarks
 (1) A PART ADDED AND/OR CHANGED DUE TO CHANGE OF GOVERNOR FROM THE 2-POINT TYPE TO THE 3-POINT TYPE FROM JULY, 1976. CHANGED FROM E/#80394 FOR 2QM AND E/#80346 FOR 3QM.

No.	Lev.	Parts No.	Description	Q'ty						I	R
				(A)	(B)	(C)	(D)	(E)	(F)		
97	1	124772-67110	BRACKET	1	1	1	1				
98	1	121370-67100	BRACKET	1	1	1	1				
99	1	26117-060129	BOLT M 6X 12 PLATED	2	2	2	2				
100	1	22212-060000	SPRING WASHER 6	2	2	2	2				
100-1	1	22217-060000	WASHER, SPRING 6	2	2	2	2				N
		(A=EXXX) (B=EXXX) (C=EXXX) (D=EXXX)									
101	1	26557-050102	SCREW, M5X10	2	2	2	2				
102	1	22212-050000	SPRING WASHER 5	2	2	2	2				
102-1	1	22217-050000	WASHER, SPRING 5	2	2	2	2				N
		(A=EXXX) (B=EXXX) (C=EXXX) (D=EXXX)									

Fig.18. HAND STARTING MECHANISM

1 inc.3 ~ 30
2 inc.4 ~ 35



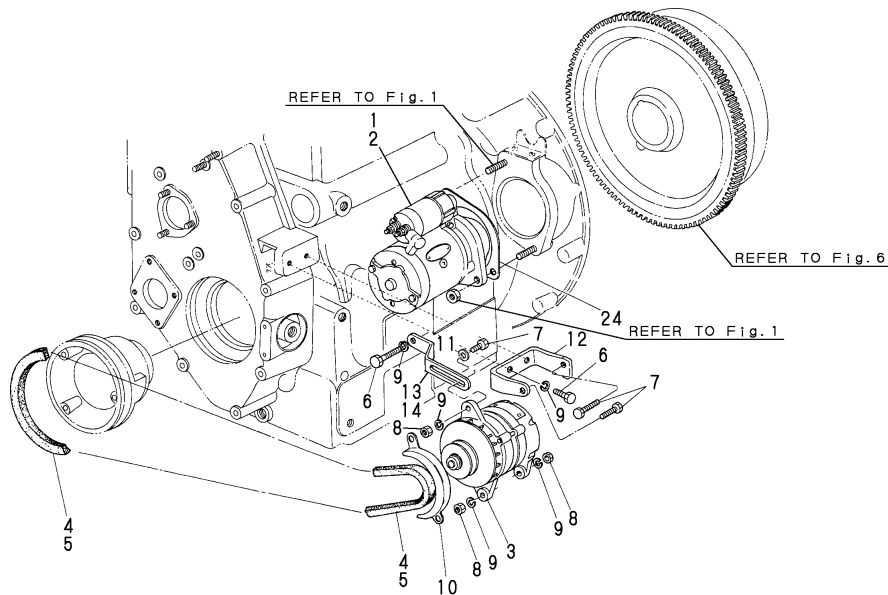
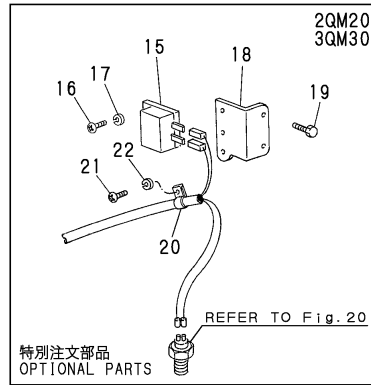
(A)=2QM20
(B)=3QM30
(C)=2QM

(D)=3QM
(E)=
(F)=

No.	Lev.	Parts No.	Description	Q'ty						I	R
				(A)	(B)	(C)	(D)	(E)	(F)		
1	1	724770-76110	STARTER ASSY	1	1						
2	1	724790-76110	STARTER ASSY			1	1				
3	2	124770-76200	SHAFT, STARTING	1	1						
4	2	124790-76200	SHAFT, STARTING			1	1				
5	2	22312-100500	PIN, PARALLEL M10X50	1	1	1	1				
6	2	124770-76010	SPROCKET	1	1	1	1				
7	2	26117-060129	BOLT M 6X 12 PLATED	6	6	4	4				
8	2	24104-062054	BEARING, BALL 6205UU	2	2						
9	2	124770-76280	SPACER	1	1						
10	2	124790-76250	SPACER			1	1				
11	2	22242-000250	RING, 25	1	1	1	1				
12	2	124770-76300	SUPPORT	1	1	1	1				
13	2	124790-76300	SUPPORT			1	1				
14	2	22252-000520	RING, 52	1	1						
15	2	24764-010000	NIPPLE, GREASE M6F			1	1				
16	2	124770-76180	BOLT	1	1						
17	2	125110-76800	HANDLE, STARTING	1	1	1	1				
18	2	25210-430670	CHAIN, 43X 67	1	1	1	1				
19	2	124770-76100	SPROCKET	1	1	1	1				
20	2	22137-100000	WASHER, 10	1	1	1	1				
21	2	22212-100000	WASHER, 10	1	1	1	1				
21-1	2	22217-100000	WASHER, SPRING 10	1	1	1	1				N
		(A=EXXX) (B=EXXX) (C=EXXX) (D=EXXX)									
22	2	26736-100002	NUT, M10	1	1	1	1				
23	2	26226-100382	STUD, M10X 38	3	3						
24	2	26716-100002	NUT, M10	3	3						
25	2	22212-100000	WASHER, 10	3	3						
25-1	2	22217-100000	WASHER, SPRING 10	3	3						N
		(A=EXXX) (B=EXXX)									
26	2	22137-100000	WASHER, 10	3	3						
27	2	124770-76170	COVER, CHAIN	1	1						
28	2	124790-76170	COVER, CHAIN			1	1				
29	2	22212-060000	SPRING WASHER 6	6	6	5	5				
29-1	2	22217-060000	WASHER, SPRING 6	6	6	5	5				N
		(A=EXXX) (B=EXXX) (C=EXXX) (D=EXXX)									
30	2	22137-060000	WASHER, 6	2	2	1	1				
31	2	124790-76190	BRACKET			1	1				
32	2	26117-060129	BOLT M 6X 12 PLATED			4	4				
33	2	124790-76310	RETAINER			1	1				
34	2	26116-080902	BOLT, M8X 90 PLATED			4	4				
35	2	22212-080000	SPRING WASHER 8			4	4				
35-1	2	22217-080000	WASHER, SPRING 8			4	4				N
		(C=EXXX) (D=EXXX)									

Fig.19. STARTING MOTOR & GENERATOR

P/C NEWS No:Y00R0919-1
PUBLISHED:2005/9



(A)=2QM20
(B)=3QM30
(C)=2QM

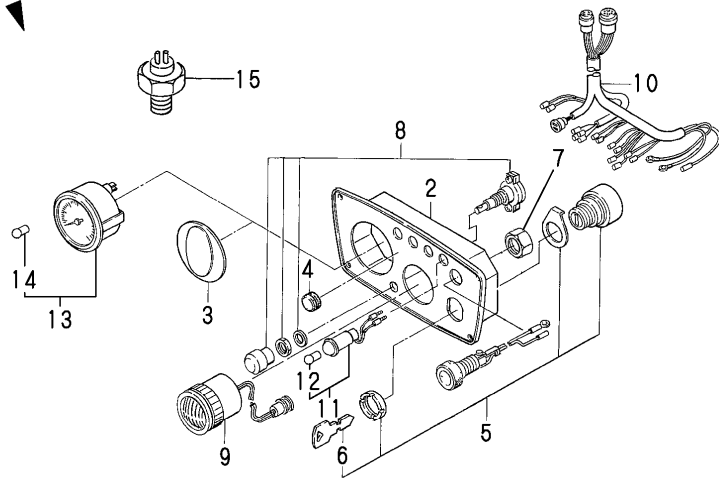
(D)=3QM
(E)=
(F)=

No.	Lev.	Parts No.	Description	Q'ty						I	R
				(A)	(B)	(C)	(D)	(E)	(F)		
1	1	124770-77010	STARTER	1							
2	1	121370-77010	STARTER, S12-47		1						
3	1	121370-77200	GENERATOR, LR135-31	1	1	1	1				
4	1	124772-42780	V-BELT	1	1	1	1				
4-1	1	124772-77350	V-BELT, HM32	1	1	1	1				N
		(A=EXXX) (B=EXXX) (C=EXXX) (D=EXXX)									
5	1	124240-42291	V-BELT, A37				1	1			
6	1	26116-080222	BOLT, M8X 22 PLATED	3	3	2	2				
7	1	26116-080302	BOLT, M8X 30 PLATED	3	3	3	3				
8	1	26716-080002	NUT, M8	3	3	3	3				
9	1	22212-080000	SPRING WASHER 8	6	6	5	5				
9-1	1	22217-080000	WASHER, SPRING 8	6	6	5	5				N
		(A=EXXX) (B=EXXX) (C=EXXX) (D=EXXX)									
10	1	121250-77210	COVER, GENERATOR	1	1	1	1				
11	1	22137-080000	WASHER, 8	1	1	1	1				
12	1	124770-77250	BRACKET, GENERATOR	1	1	1	1				
13	1	124770-77330	ADJUSTER, BELT	1	1						
14	1	124790-77330	ADJUSTER, BELT			1	1				
15	1	124070-77800	BOX, FUSE	1	1						W
		(A=E/#85658) (B=E/#81661)									
15-1	1	124070-77801	BOX, FUSE	1	1						N
		(A=E/#87587) (B=E/#83271)									
16	1	26557-050162	SCREW, M5X16	2	2						W
		(A=E/#85658) (B=E/#81661)									
17	1	22212-050000	SPRING WASHER 5	2	2						W
		(A=E/#85658) (B=E/#81661)									
18	1	124772-77810	BRACKET	1	1						W
		(A=E/#85658) (B=E/#81661)									
19	1	26116-080142	BOLT 8X14	2	2						W
		(A=E/#85658) (B=E/#81661)									
20	1	105584-59870	RETAINER, PIPE	1	1						W
		(A=E/#85658) (B=E/#81661)									
21	1	26557-050082	SCREW, M5X 8	1	1						W
		(A=E/#85658) (B=E/#81661)									
22	1	22212-060000	SPRING WASHER 6	1	1						W
		(A=E/#85658) (B=E/#81661)									
23	1	46150-003660	FUSE	1	1						W 1
		(A=E/#85658) (B=E/#81661)									
23-1	1	46150-003680	FUSE 30A	1	1						N 1
		(A=E/#87587) (B=E/#83271)									
24	1	124770-77081	GASKET	1	1						

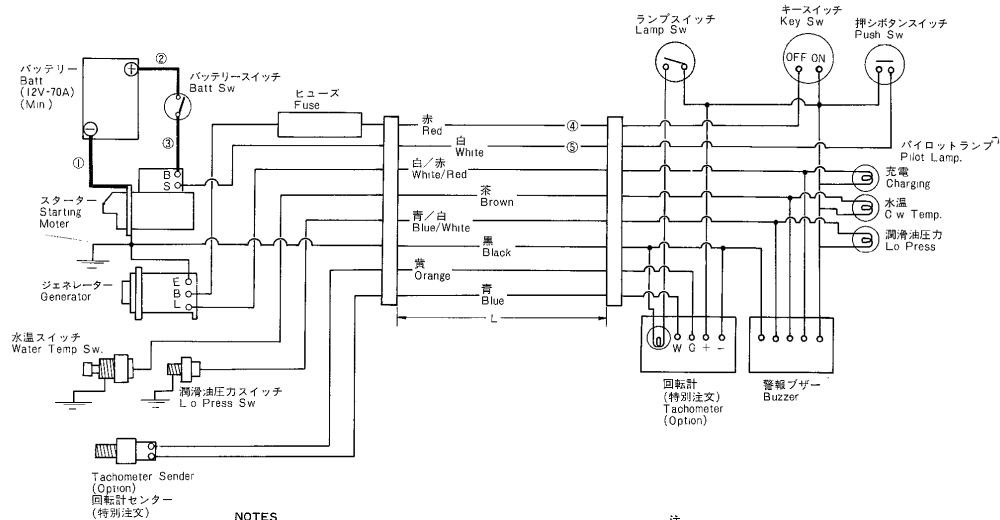
Remarks
(1)NOT ILLUSTRATED.

Fig.21. INSTRUMENT PANEL

1 inc.2 ~ 12



配線図
WIRING DIAGRAM



NOTES

Total resistance of battery cables ①, ② and ③ not to exceed 0.002 ohms
 Guide to total length and size of cables 1, 2 and 3
 Length up to not exceeding
 21ft (7m) → 60mm²
 15ft (5m) → 40mm²
 8ft (2.5m) → 20mm²
 (L)=less than 3m No ④ and ⑤ → 5mm² other cables → 1mm²(min)
 (L)=less than 6m No ④ and ⑤ → 8mm² other cables → 2mm²(min)

注

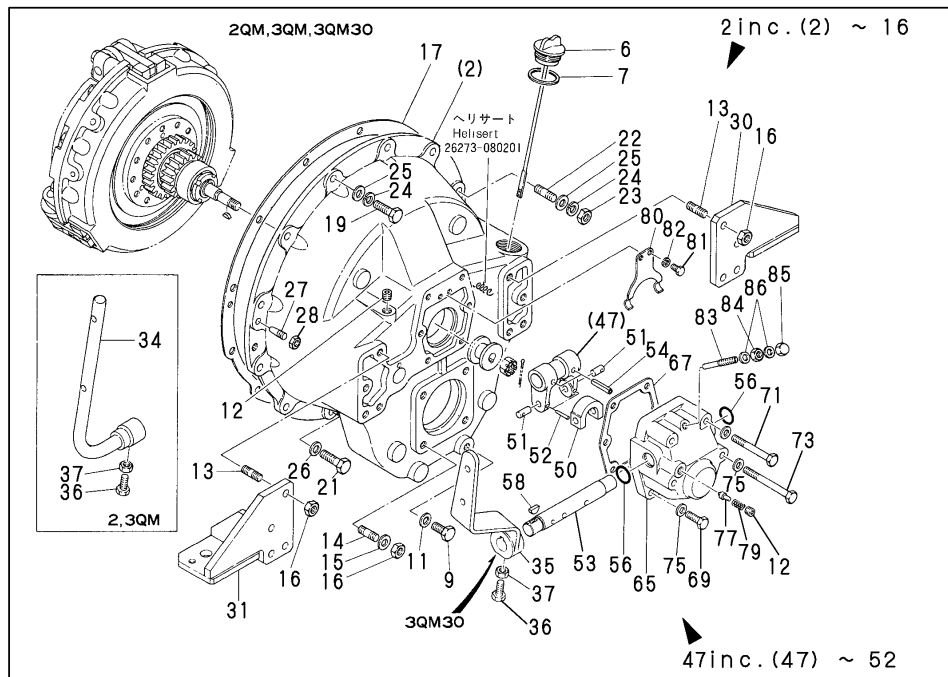
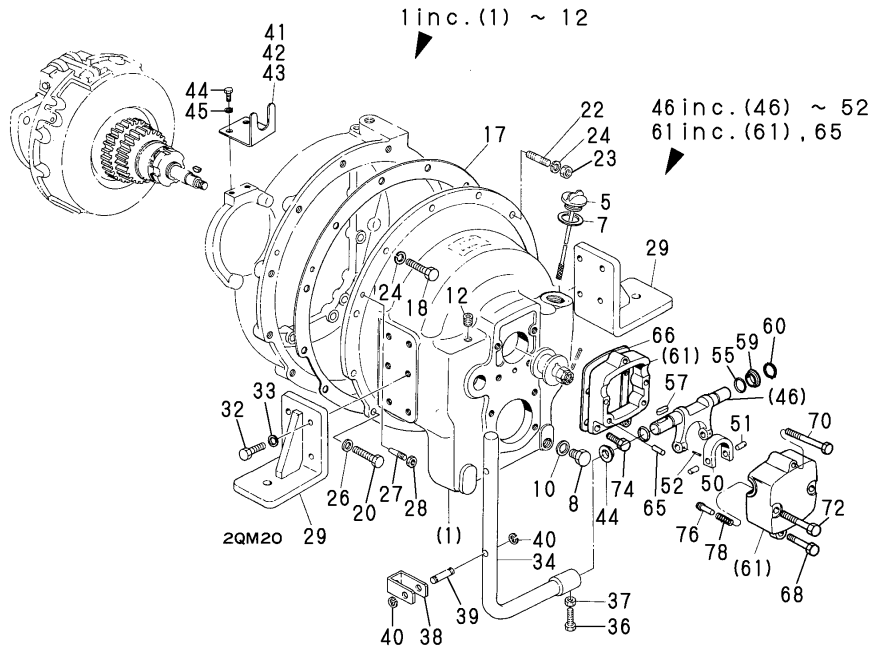
バッテリーケーブル①②③の抵抗合計は、0.002オーム以下
 ケーブル①②③の総長とサイズについて次の長さを越えないこと。
 21フィート(7m)迄 60mm²
 15フィート(5m)迄 40mm²
 8フィート(2.5m)迄 20mm²
 (L)=3m以下: ④と⑤ 5mm²
 その他のケーブル 1mm²以上
 (L)=6m以下: ④と⑤ 8mm²
 その他のケーブル 2mm²以上

(A)=2QM20
 (B)=3QM30
 (C)=2QM

(D)=3QM
 (E)=
 (F)=

No.	Lev.	Parts No.	Description	Q'ty						I	R
				(A)	(B)	(C)	(D)	(E)	(F)		
1	1	124070-91000	PANEL ASSY	1	1						
2	2	124070-91010	PANEL, INSTRUMENT	1	1						
3	2	124770-91200	COVER	1	1						
4	2	124770-91230	COVER	1	1						
5	2	124070-91250	SWITCH, KEY	1	1						
6	3	124070-91290	KEY, SWITCH	1	1						
7	2	124070-91300	SWITCH	1	1						
8	2	124070-91310	SWITCH	1	1						
9	2	104271-91350	BUZZER	1	1						
10	2	124070-91030	HARNES, WIRE	1	1						
11	2	124770-91040	LAMP, PILOT 12V 3.4W	3	3						
12	3	124770-91040	LAMP, PILOT 12V 3.4W	3	3						
13	1	104571-91100	TACHOMETER	1	1						
14	2	46150-00110	BULB(12V3W/G11.BA9S)	1	1						
15	2	124070-91160	SENSOR	1	1						

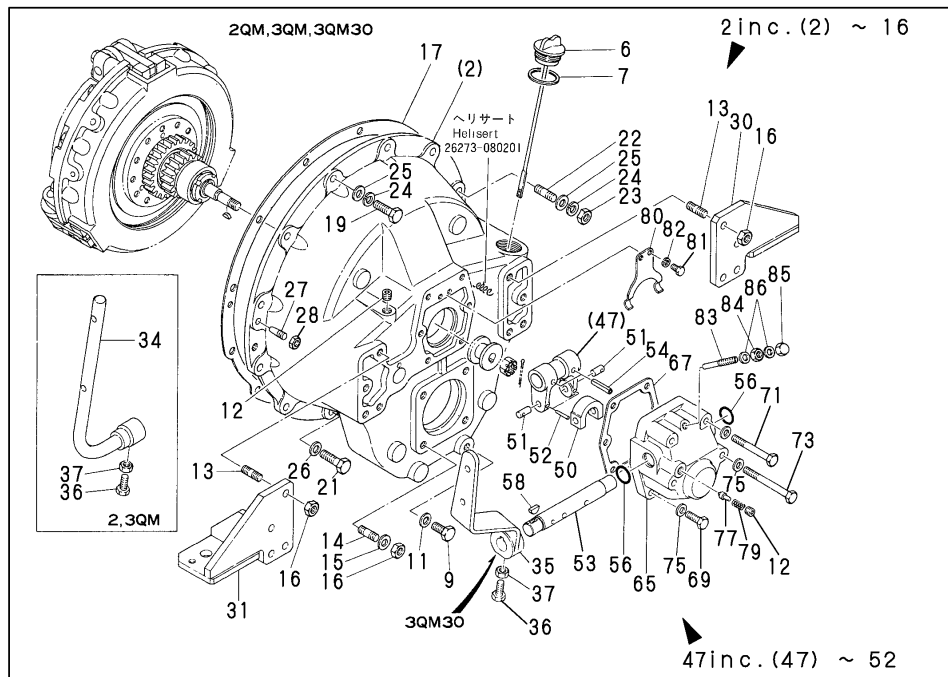
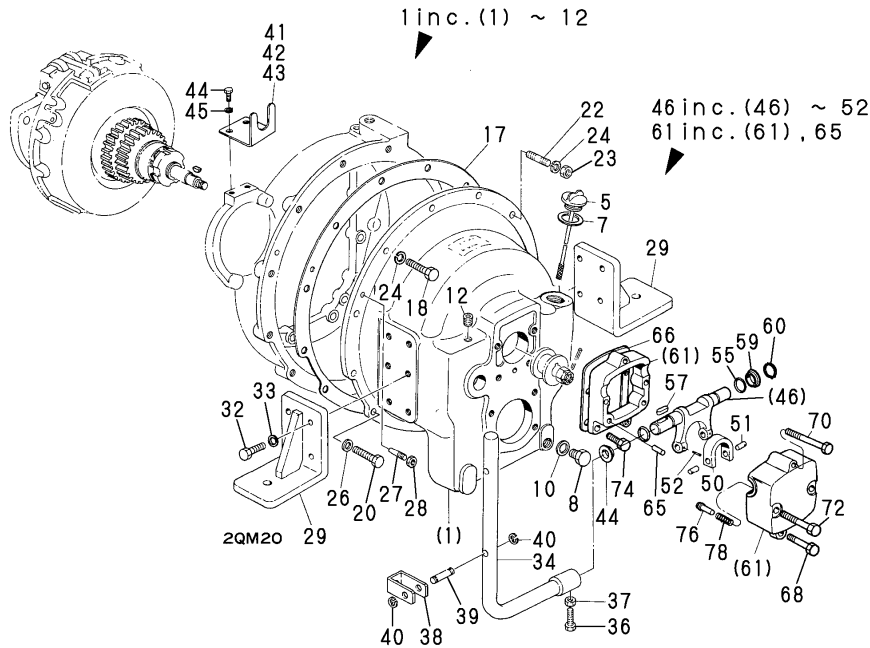
Fig.22. CLUTCH HOUSING



(A)=2QM20
(B)=3QM30
(C)=2QM
(D)=3QM
(E)=
(F)=

No.	Lev.	Parts No.	Description	Q'ty						I	R
				(A)	(B)	(C)	(D)	(E)	(F)		
1	1	724770-82550	HOUSING ASSY, CLUTCH	1							
1-1	1	724770-82551	HOUSING ASSY, CLUTCH	1							N
				(A=EXXX)							
2	1	776000-02550	HOUSING ASSY, CLUTCH		1	1	1				
5	2	124770-82900	COVER	1							
6	2	176000-02901	COVER		1	1	1				
7	2	101104-01760	GASKET, CAP	1	1	1	1				
8	2	23883-160002	PLUG, 16	1							
9	2	26114-100222	BOLT M10X 22		1	1	1				
10	2	23414-160000	GASKET, 16X1.0	1							
11	2	23414-100000	GASKET, 10X1.0		1	1	1				
12	2	23873-010000	PLUG, R01	1	2	2	2				
13	2	26226-100222	STUD, M10X 22		8	8	8				
14	2	26226-100202	STUD, M10X 20		4	4	4				
15	2	22117-100000	WASHER, 10		4	4	4				
16	2	26716-100002	NUT, M10		12	12	12				
17	1	124770-82031	GASKET	1	1	1	1				
18	1	26116-100302	BOLT, M10X 30 PLATED	6							
19	1	26116-100352	BOLT, M10X 35 PLATED		6	6	6				
20	1	26113-100302	BOLT M10X 30	2							
21	1	26113-100352	BOLT 10* 35		2	2	2				
22	1	26216-100252	STUD, M10X 25	4	4	4	4				
23	1	26716-100002	NUT, M10	4	4	4	4				
24	1	22212-100000	WASHER, 10	10	10	10	10				
24-1	1	22217-100000	WASHER, SPRING 10	10	10	10	10				N
				(A=EXXX) (B=EXXX) (C=EXXX) (D=EXXX)							
25	1	22117-100000	WASHER, 10		10	10	10				
26	1	22113-100000	WASHER, 10		2	2	2				
27	1	22332-080220	PIN, TAPER 8X 22	2	2	2	2				
28	1	26756-080002	NUT, LOCK M8	2	2	2	2				
29	1	124770-82810	BRACKET	2							
30	1	176000-02801	BRACKET		1	1	1				
31	1	176000-02811	BRACKET		1	1	1				
32	1	26116-100252	BOLT, M10X 25 PLATED	8							
33	1	22212-100000	WASHER, 10	8							
33-1	1	22217-100000	WASHER, SPRING 10	8							N
				(A=EXXX)							
34	1	104214-84450	LEVER ASSY, CONTROL	1		1	1				
35	1	176000-04521	LEVER ASSY		1						
36	1	26116-080202	BOLT, M8X 20 PLATED	1	1	1	1				
37	1	26756-080002	NUT, LOCK M8	1	1	1	1				
38	1	104214-86030	JOINT	1		1	1				
39	1	41710-000860	PIN	1		1	1				
40	1	22272-000070	RING, E- 7	2		2	2				
41	1	124772-86100	BRACKET	1							
42	1	121370-86101	BRACKET		1						
43	1	124790-86100	BRACKET			1	1				
44	1	26116-060129	BOLT, M6X 12 PLATED	2	2	2	2				
45	1	22212-060000	SPRING WASHER 6	2	2	2	2				
45-1	1	22217-060000	WASHER, SPRING 6	2	2	2	2				N
				(A=EXXX) (B=EXXX) (C=EXXX) (D=EXXX)							

Fig.22. CLUTCH HOUSING

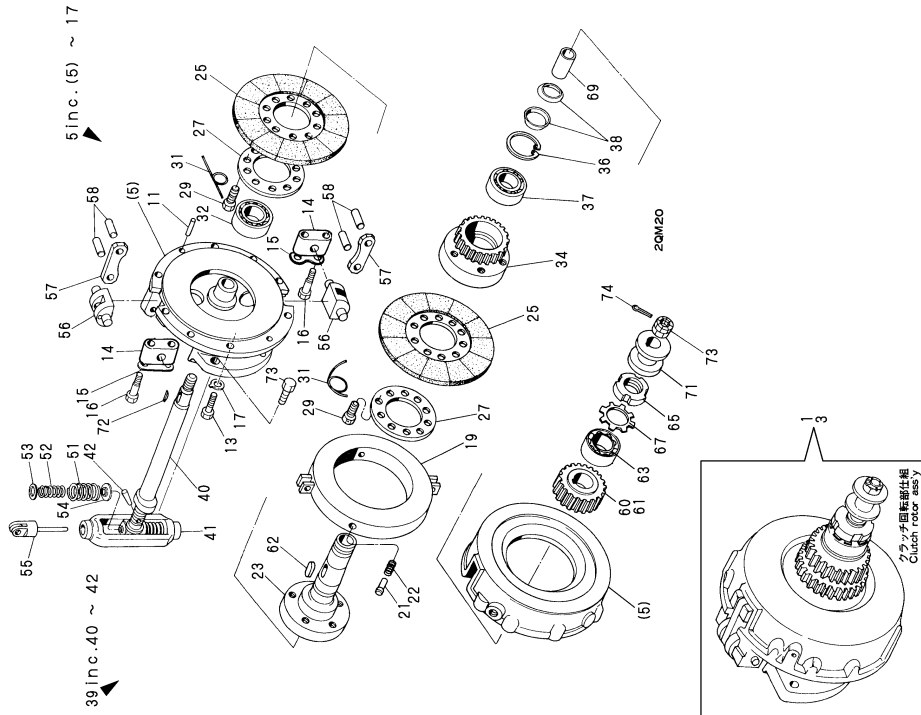
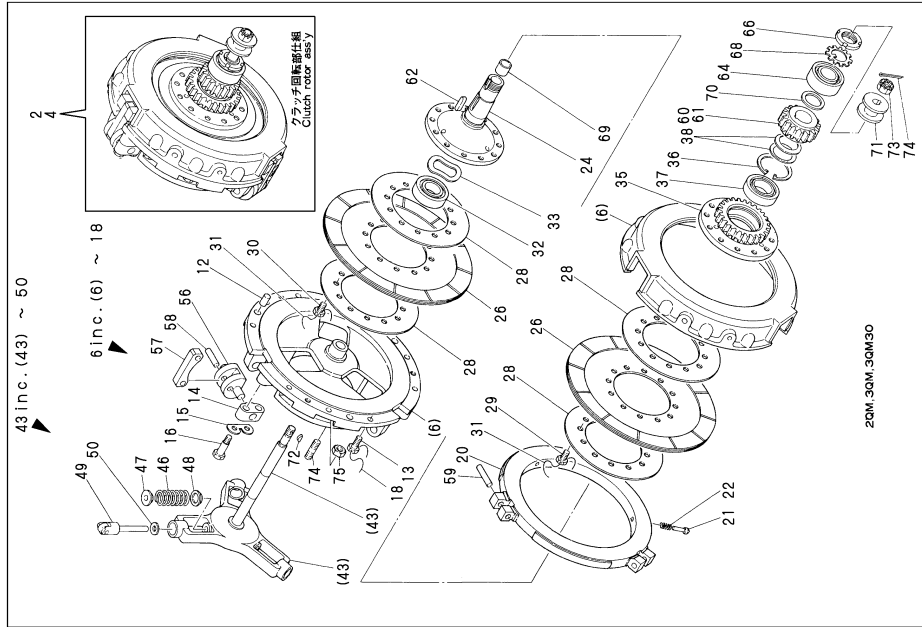


(A)=2QM20
(B)=3QM30
(C)=2QM
(D)=3QM
(E)=
(F)=

No.	Lev.	Parts No.	Description	Q'ty						I	R
				(A)	(B)	(C)	(D)	(E)	(F)		
46	1	120220-84472	FORK ASSY, LEVER	1							
47	1	105582-84470	FORK, LEVER		1						
50	2	120220-84300	BUSH, SHIFTER	1	1	1	1				
51	2	22312-080180	PIN, PARALLEL M8X18	2	2	2	2				
52	2	22322-030220	PIN, TAPER 3X22	2	2	2	2				
53	1	105582-84150	SHAFT, FORK		1	1	1				
54	1	22351-060032	PIN, SPRING 6.0X32		2	2	2				
55	1	24311-000180	O-RING, 1AP18.0	2							
56	1	24311-000200	O-RING, 1AP20.0		2	2	2				
57	1	22512-050180	KEY, 5X 18	1							
58	1	22522-050160	KEY, WOODRUFF 5X16		1	1	1				
59	1	120220-84130	RETAINER, O-RING	2							
60	1	22242-000180	RING, 18	1							
61	1	704211-82500	SHAFT ASSY, FORWARD	1							
64	2	22312-040120	PIN, PARALLEL M4X12	2							
65	1	705582-82500	SHAFT ASSY, FORWARD		1	1	1				
66	1	104211-82090	GASKET	1							
67	1	105582-82090	GASKET		1	1	1				
68	1	26116-080352	BOLT, M8X 35 PLATED	1							
69	1	26116-080302	BOLT, M8X 30 PLATED		2	2	2				
70	1	26116-080552	BOLT, M8X 55 PLATED	1							
71	1	26116-080702	BOLT, M8X 70 PLATED		2	2	2				
72	1	26116-080902	BOLT, M8X 90 PLATED	2							
73	1	26116-080852	BOLT, M8X 85 PLATED		2	2	2				
74	1	26116-080202	BOLT, M8X 20 PLATED	2							
75	1	22117-080000	WASHER, 8		6	6	6				
76	1	124210-83360	CLAW	1							
77	1	105582-82120	CLAW		1	1	1				
78	1	120220-82130	SPRING	1							
79	1	105582-82130	SPRING		1	1	1				
80	1	176000-02201	SPRING		1	1	1				
81	1	26117-060129	BOLT M 6X 12 PLATED		2	2	2				
82	1	22212-060000	SPRING WASHER 6		2	2	2				
82-1	1	22217-060000	WASHER, SPRING 6		2	2	2				N
			(B=EXXX) (C=EXXX) (D=EXXX)								
83	1	105582-82780	BOLT		1	1	1				
84	1	26756-080002	NUT, LOCK M8		1	1	1				
85	1	26668-080002	NUT, CAP M8		1	1	1				
86	1	23414-080000	GASKET, 8X1.0		2	2	2				

Fig.23. FRICTION DISC & AHEAD SHAFT

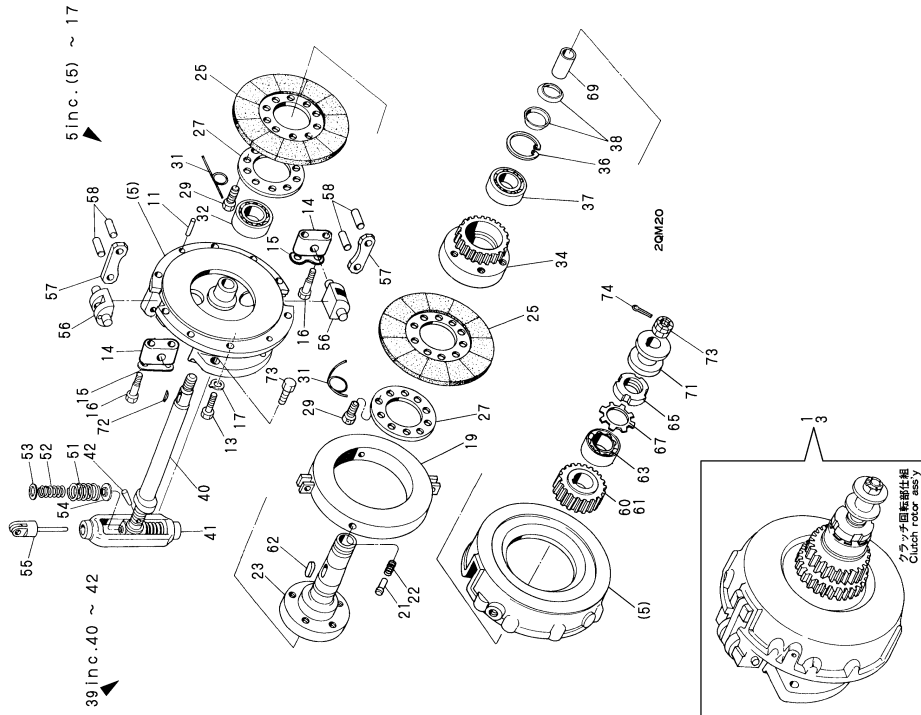
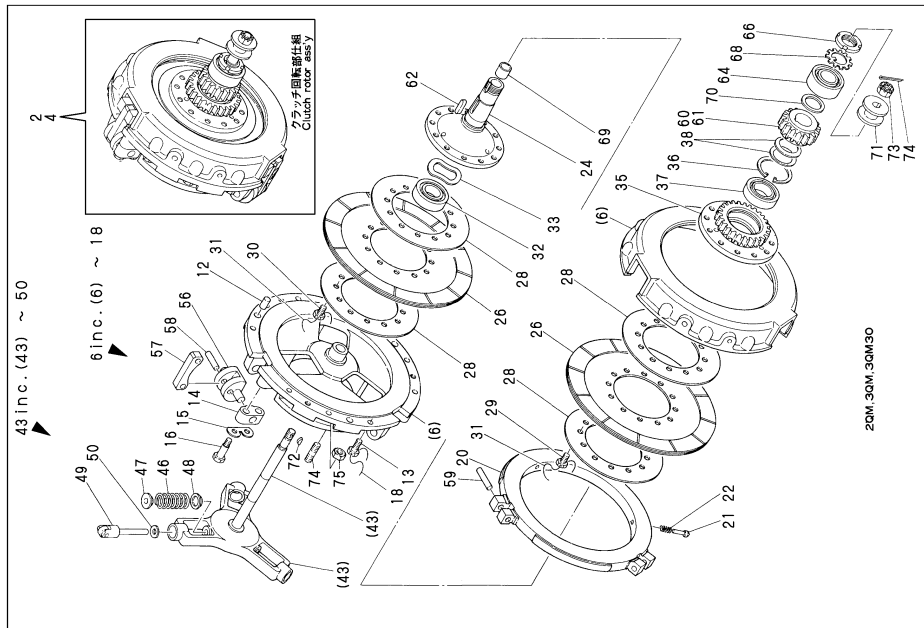
(A)=2QM20
(B)=3QM30
(C)=2QM
(D)=3QM
(E)=
(F)=



No.	Lev.	Parts No.	Description	Q'ty						I	R
				(A)	(B)	(C)	(D)	(E)	(F)		
1	1	724770-83730	ROTATOR ASSY	1							
2	1	776000-03730	ROTATOR ASSY, I2.20		1	1	1				
3	1	724771-83730	ROTATOR ASSY	1							
4	1	776001-03730	ROTATOR ASSY, I3.21		1	1	1				
5	2	724770-83150	HOUSING ASSY, CLUTCH	1							
6	2	776000-03720	HOUSING ASSY, CLUTCH		1	1	1				
11	3	22312-080180	PIN, PARALLEL M8X18	2							
12	3	22312-100180	PIN, PARALLEL M10X18		3	3	3				
13	3	26116-080206	BOLT, M8X 20 PLATED	6	9	6	9				
14	3	122310-83380	BRACKET	2	3	3	3				
15	3	122310-83630	WASHER	2	3	2	3				
16	3	122310-83390	BOLT	4	6	6	6				
17	3	124210-83150	WASHER	6							
18	3	22451-100000	WIRE, 1.0		3	3	3				
19	2	120220-83342	DISK, FRICTION	1							
20	2	176000-03150	DISK, FRICTION		1	1	1				
21	2	124210-83360	CLAW	4	3	3	3				
22	2	124210-83370	SPRING	4	3	3	3				
23	2	124770-83210	SHAFT, FORWARD	1							
24	2	176000-03201	SHAFT, FORWARD		1	1	1				
25	2	124770-83300	DISK, FRICTION	2							
26	2	176000-03300	DISK, FRICTION		2	2	2				
27	2	124770-83330	PLATE	2							
28	2	176000-03330	PLATE		4	4	4				
29	2	104211-83290	BOLT	15							
30	2	120220-83290	BOLT		24	24	24				
31	2	22451-100000	WIRE, 1.0	2	2	2	2				
32	2	24104-062054	BEARING, BALL 6205UU	1	1	1	1				
33	2	176000-03450	WASHER		1	1	1				
34	2	120220-83200	SHAFT, REVERSE	1							
35	2	176000-03211	SHAFT, REVERSE		1	1	1				
36	2	22252-000550	RING, 55	1	1	1	1				
37	2	24101-060064	BEARING, BALL 6006	1	1	1	1				
38	2	120220-83250	SPRING	2	2	2	2				
39	2	120220-84490	SHAFT ASSY, SHIFT	1							
40	3	120220-84120	SHAFT, SHIFT	1							
41	3	120220-84320	CASE	1							
42	3	22322-040400	PIN, TAPER 4X40	1							
43	2	776000-03570	LEVER ASSY, SHIFT		1	1	1				
46	3	176000-03860	SPRING		3	3	3				
47	3	125110-84480	RETAINER		3	3	3				
48	3	125110-84490	RETAINER, SPRING		3	3	3				
49	3	176000-03740	RETAINER ASSY		3	3	3				
50	3	125110-84520	SHIM		3	3	3				
51	2	122310-84460	SPRING	2							
52	2	122310-84470	SPRING	2							
53	2	125110-84480	RETAINER	2							
54	2	125110-84490	RETAINER, SPRING	2							
55	2	122310-84450	RETAINER	2							
56	2	124210-84402	LEVER	2	3	2	3				
57	2	122310-84421	LINK	2	3	2	3				

Fig.23. FRICTION DISC & AHEAD SHAFT

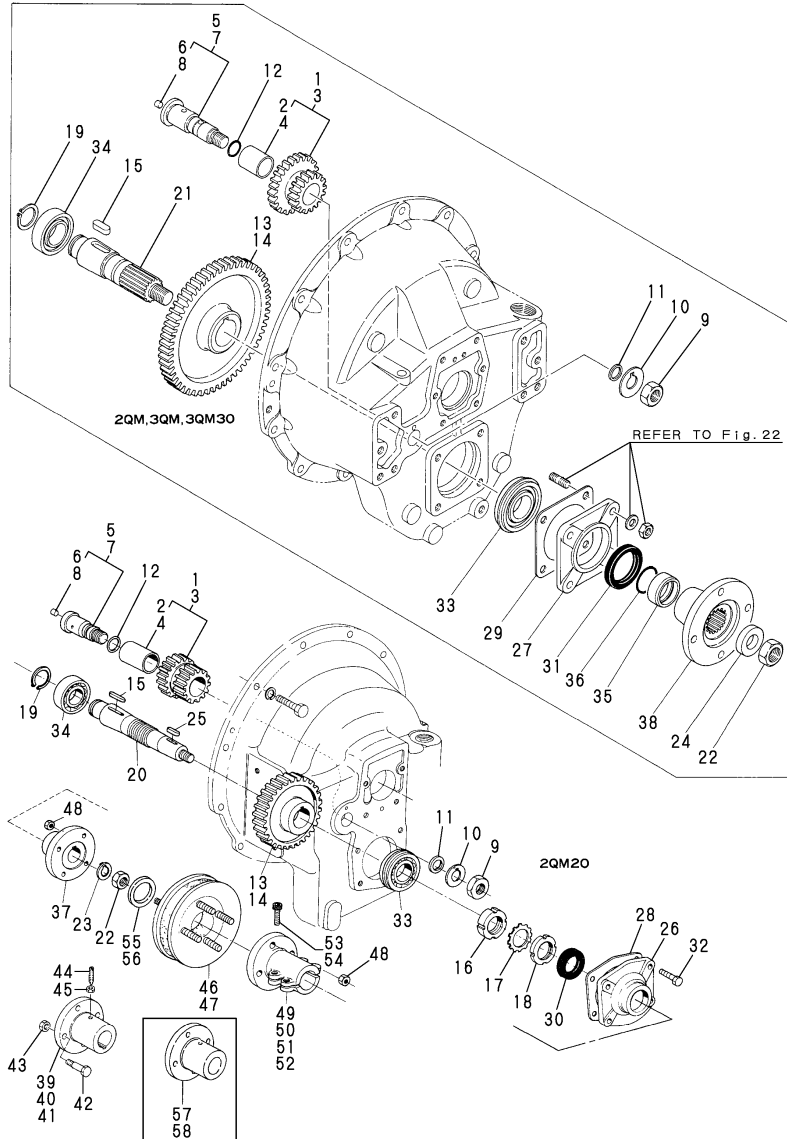
(A)=2QM20
 (B)=3QM30
 (C)=2QM
 (D)=3QM
 (E)=
 (F)=



No.	Lev.	Parts No.	Description	Q'ty						I	R
				(A)	(B)	(C)	(D)	(E)	(F)		
58	2	124210-84410	PIN	4	3	3	3				
59	2	122410-84450	PIN		3	3	3				
60	2	124770-83520	PINION, I=2.20 Z=25	1	1	1	1				
61	2	120221-83520	PINION, I=3.21 Z=19	1	1	1	1				
62	2	22512-070260	KEY, 7X 26	1	1	1	1				
63	2	24101-062054	BEARING, BALL 6205	1							
64	2	176000-03950	BEARING #5205S		1	1	1				
65	2	120220-83450	NUT	1							
66	2	24211-025002	NUT, BEARING 25		1	1	1				
67	2	122310-83460	WASHER	1							
68	2	24231-025000	WASHER 25,BEARING		1	1	1				
69	2	122310-83800	BUSH	1	1	1	1				
70	2	176000-03461	SPACER		1	1	1				
71	2	120220-84310	PLATE	1	1	1	1				
72	2	22522-040130	KEY, WOODRUFF 4X13	1	1	1	1				
73	2	26887-120002	NUT, CASTLE M12	1	1	1	1				
74	2	22411-300250	PIN 3.0* 25	1	1	1	1				

Fig.24. IDLE GEAR SHAFT & THRUST SHAFT

(A)=2QM20 (D)=3QM
 (B)=3QM30 (E)=
 (C)=2QM (F)=

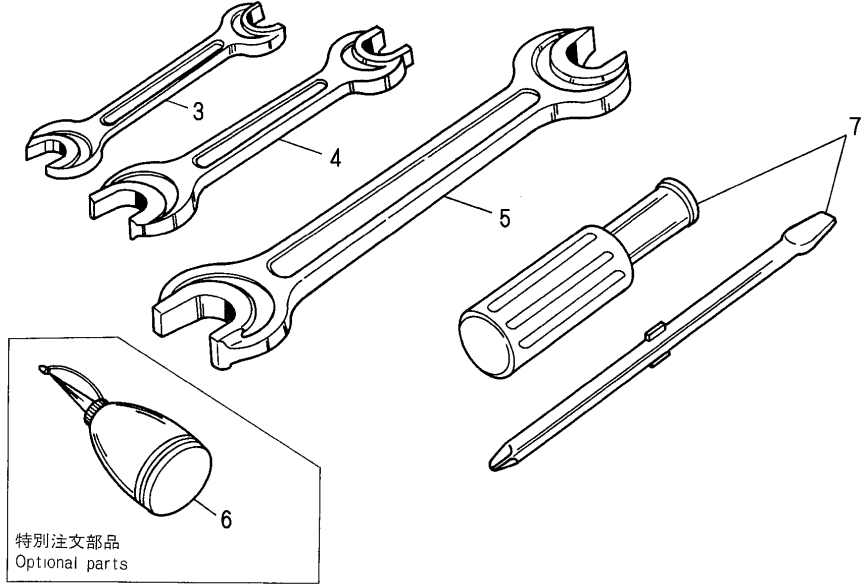
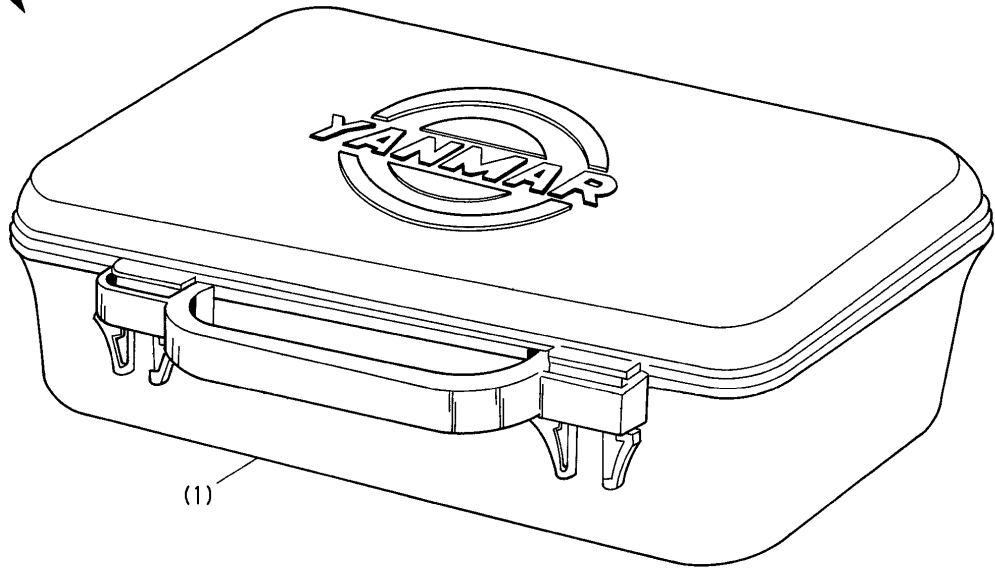


No.	Lev.	Parts No.	Description	Q'ty						I	R
				(A)	(B)	(C)	(D)	(E)	(F)		
1	1	124770-83030	GEAR, IDLE Z=23/26	1	1	1	1				
2	2	120220-83060	BUSH	1	1	1	1				
3	1	120221-83030	GEAR, I=3.21	1	1	1	1				
4	2	120220-83060	BUSH	1	1	1	1				
5	1	120220-83230	SHAFT, GEAR	1	1	1	1				
6	2	124210-83270	PLUG	1	1	1	1				
7	1	176000-03230	SHAFT, GEAR	1	1	1	1				
8	2	124210-83270	PLUG	1	1	1	1				
9	1	120220-83420	NUT	1	1	1	1				
10	1	120220-83410	WASHER	1	1	1	1				
11	1	120220-83260	RETAINER, O-RING	1	1	1	1				
12	1	24311-000180	O-RING, 1AP18.0	1	1	1	1				
13	1	124770-83530	GEAR, I=2.20 Z=55	1	1	1	1				
14	1	124221-83530	GEAR, I=3.21 Z=61	1	1	1	1				
15	1	22512-100260	KEY, 10X 26	1	1	1	1				
16	1	120220-83470	NUT	1							
17	1	120220-83480	WASHER	1							
18	1	120220-83490	NUT, LOCK	1							
19	1	22242-000300	RING, 30	1	1	1	1				
20	1	124227-83220	SHAFT, THRUST	1							
21	1	176000-03651	SHAFT, THRUST		1	1	1				
22	1	26776-200002	NUT, LOCK M20	1	1	1	1				
23	1	122310-83410	WASHER	1							
24	1	176000-03730	WASHER		1	1	1				
25	1	22512-070300	KEY, 7X 30	1							
26	1	120220-82230	COVER	1							
27	1	176000-02401	COVER		1	1	1				
28	1	120220-82240	PACKING	1							
29	1	176000-02410	GASKET		1	1	1				
30	1	120220-82300	SEAL, TC30508	1							
31	1	176000-02440	SEAL, OIL		1	1	1				
32	1	26116-100222	BOLT, M10X 22 PLATED	4							
33	1	120220-82280	BEARING, BALL 6207NR	1	1	1	1				
34	1	24101-062064	BEARING, BALL 6206	1	1	1	1				
35	1	176000-03721	SPACER		1	1	1				
36	1	24321-000350	O-RING, 1AG35.0		1	1	1				
37	1	122310-83400	COUPLING	1							
38	1	176000-03701	COUPLING		1	1	1				
39	1	48110-028070	COUPLING, 28	1		1					1
40	1	48110-030060	COUPLING, D=120	1	1	1	1				3
41	1	48110-034070	COUPLING		1		1				2
42	1	26116-100322	BOLT, M10X 32 PLATED	4	4	4	4				
43	1	26716-100002	NUT, M10	4	4	4	4				
44	1	48110-032411	SCREW	1	1	1	1				
45	1	26756-080002	NUT, LOCK M8	1	1	1	1				
46	1	124770-85400	COUPLING	1							
47	1	121370-85401	COUPLING		1	1	1				
48	2	26736-100002	NUT, M10	8	8	8	8				
49	1	104214-83500	COUPLING	1							
50	1	104214-83980	COUPLING	1							
51	1	104214-83990	COUPLING	1							

Remarks
 (1)I=2.20
 (2)I=3.21
 (3)2QM & 2QM20:I=3.21
 2QM20 & 3QM30:I=2.2
 FROM REF.NO.39 UP TO REF.NO58 IS
 OPTIONAL.

Fig.25. TOOL

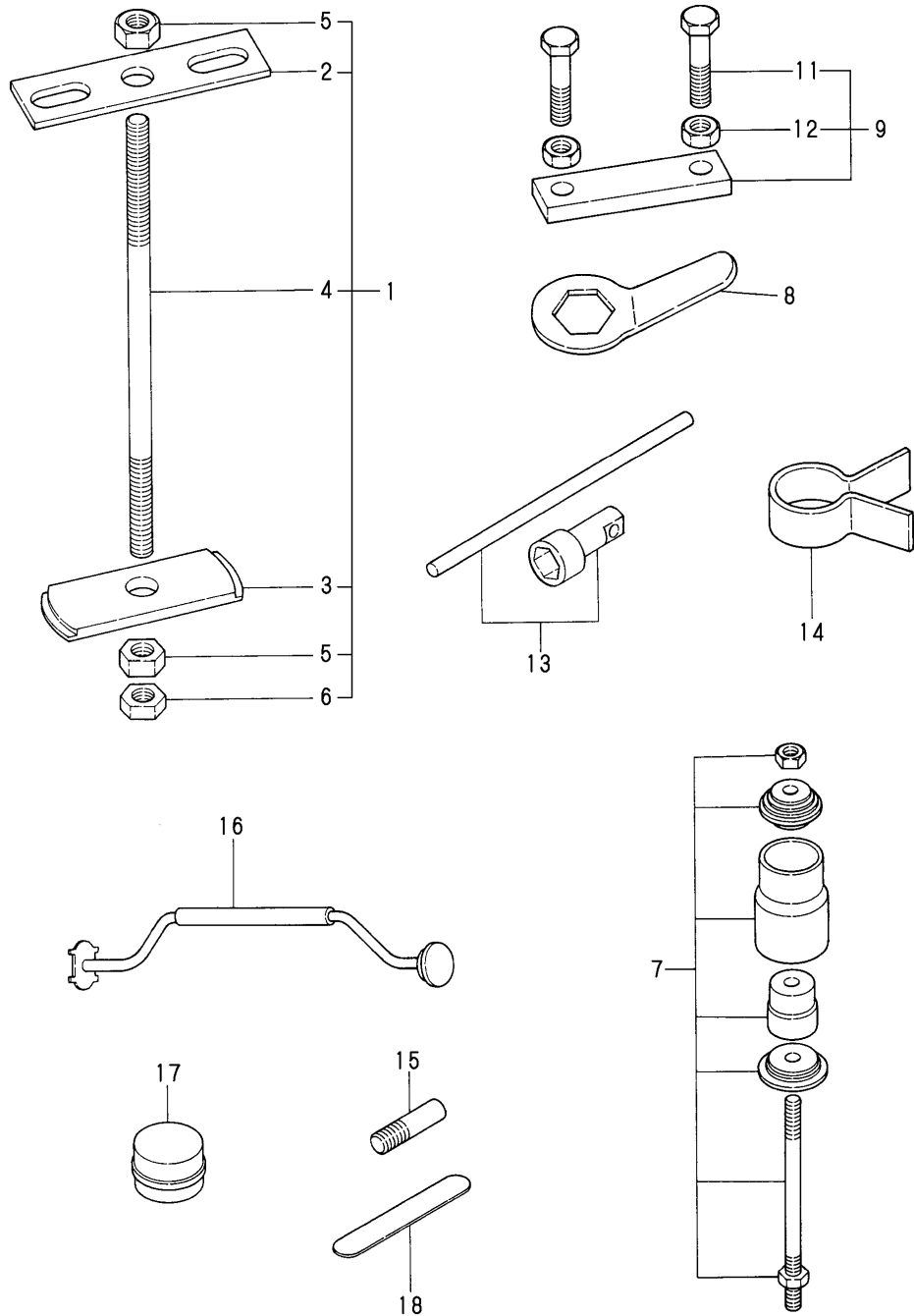
1 inc. (1) ~ 5, 7



No.	Lev.	Parts No.	Description	Q'ty						I	R
				(A)	(B)	(C)	(D)	(E)	(F)		
1	1	704507-92100	BOX ASSY, TOOL	1	1	1	1				
3	2	28110-100130	SPANNER, 10X13	1	1	1	1				
4	2	28110-170190	SPANNER, 17X19	1	1	1	1				
5	2	28110-220240	SPANNER, 22X24	1	1	1	1				
6	2	28210-000150	OILER	1	1	1	1				Z 1
		(A=EXXX) (B=EXXX) (C=EXXX) (D=EXXX)									
7	2	104200-92350	DRIVER, SCREW	1	1	1	1				

Remarks
 (1) FROM APRIL, 1978, THE OIL FEEDER IS AVAILABLE AS AN OPTIONAL.

Fig.26. SPECIAL TOOL(OPTIONAL)



No.	Lev.	Parts No.	Description	Q'ty						I	R
				(A)	(B)	(C)	(D)	(E)	(F)		
1	1	724770-92210	TOOL ASSY, LINER	1	1	1	1				
2	2	103338-92020	TOOL, LINER REMOVER	1	1	1	1				
3	2	101400-92010	TOOL, LINER REMOVER	1	1	1	1				
4	2	103338-92030	BOLT, LINER REMOVER	1	1	1	1				
5	2	26717-160002	NUT, M16	2	2	2	2				
5-1	2	26716-160002	NUT, M16	2	2	2	2				R
		(A=E XXX) (B=E XXX) (C=E XXX) (D=E XXX)									
6	2	26717-160002	NUT, M16	1	1	1	1				
6-1	2	26756-160002	NUT, LOCK M16	1	1	1	1				R
		(A=E XXX) (B=E XXX) (C=E XXX) (D=E XXX)									
7	1	124460-92400	TOOL, MAIN METAL	1	1	1	1				
8	1	103338-92100	WRENCH	1		1					
9	1	724770-92220	TOOL ASSY, FLYWHEEL	1		1					
11	2	104200-92130	TOOL	2		2					
12	2	26717-120002	NUT, M12	2		2					
12-1	2	26716-120002	NUT, M12	2		2					R
		(A=E XXX) (C=E XXX)									
13	1	124770-92690	TOOL, PULLEY REPLACE	1		1					
14	1	101404-92140	TOOL, PISTON&RING	1	1	1	1				
15	1	101104-92180	TOOL, NOZZLE REMOVER	1	1	1	1				
16	1	28210-000031	TOOL, VALVE RAPPING	1	1	1	1				
17	1	28210-000070	COMPOUND	1	1	1	1				
18	1	28312-150750	GAUGE, 0.15X75	1	1	1	1				

Fig.27. PACKING KIT(OPTIONAL)

No.	Lev.	Parts No.	Description	Q'ty						I	R
				(A)	(B)	(C)	(D)	(E)	(F)		
1	1	724772-92600	GASKET SET	1							
2	1	721370-92600	REPAIR KIT		1						
3	1	724790-92600	GASKET SET			1					
4	1	721390-92600	GASKET SET					1			
5	2	124465-01750	GASKET, OIL SUMP	1		1					
5-1	2	124465-01751	GASKET	1		1					N
6	2	121250-01750	GASKET, OIL SUMP		1		1				
6-1	2	121250-01751	GASKET, OIL SUMP		1		1				N
7	2	124160-01861	GASKET	1	1	1	1				
7-1	2	124160-01863	GASKET	1	1	1	1				N
8	2	124450-01511	GASKET, GEAR CASE	1	1	1	1				
8-1	2	124450-01512	GASKET, GEAR CASE	1	1	1	1				N
9	2	124770-01861	GASKET	1	1	1	1				
10	2	124240-01881	GASKET	1	1	1	1				
10-1	2	124240-01882	GASKET	1	1	1	1				N
11	2	124450-44410	GASKET	1	1	1	1				
12	2	124450-11681	GASKET	1	1	1	1				
13	2	123210-09310	GASKET	3	3	1	1				
14	2	104900-11450	GASKET, CHAMBER	4	6	4	6				
15	2	103854-11490	INSULATOR	2	3	2	3				
16	2	124450-11310	GASKET, BONNET	1		1					
17	2	121370-11310	GASKET, BONNET		1		1				
18	2	121370-11331	GASKET		2		2				
18-1	2	124460-03663	GASKET		2		2				S
19	2	124460-02150	GASKET	1	1	1	1				
20	2	124160-34842	GASKET		1		1				
20-1	2	124160-34843	GASKET		1		1				N
20-2	2	124160-34844	GASKET		1		1				N
21	2	124450-32020	GASKET	1	1	1	1				
22	2	124770-34730	GASKET	2	2	2	2				
23	2	124772-01610	GASKET	1	1	1	1				
24	2	124223-42020	GASKET, WATER PUMP	1	1	1	1				
25	2	124223-42110	GASKET, WATER PUMP	1	1	1					
26	2	145410-46110	PACKING				1				
27	2	124223-42140	GASKET	1	1	1					
28	2	121390-42140	GASKET				1				
29	2	104211-49160	GASKET	1							
30	2	121370-49160	GASKET		2						
31	2	124790-49760	GASKET			1	1				
32	2	124223-01850	GASKET	1	1	1	1				
33	2	124770-77081	GASKET	1	1	1	1				
34	2	124770-82031	GASKET	1	1	1	1				
35	2	120220-82090	GASKET	1							

Remarks
THIS FIGURE ARE NOT ILLUSTRATED.

Fig.27. PACKING KIT(OPTIONAL)

No.	Lev.	Parts No.	Description	Q'ty						I	R
				(A)	(B)	(C)	(D)	(E)	(F)		
36	2	105582-82090	GASKET		1	1	1				
37	2	120220-82240	PACKING	1							
38	2	176000-02410	GASKET		1	1	1				
39	2	124550-51350	GASKET, DELIVERY	2	3	2	3				
40	2	174307-51270	GASKET	2	3	2	3				
41	2	172100-53200	GASKET	2	3	2	3				
42	2	23414-060000	GASKET, 6X1.0	5	5	5	5				
43	2	23414-080000	GASKET, 8X1.0	20	20	20	20				
44	2	23414-100000	GASKET, 10X1.0	5	5	5	5				
45	2	23414-120000	GASKET, 12X1.0	20	20	20	20				
46	2	23414-140000	GASKET, 14X1.0	5	5	5	5				
47	2	23414-160000	GASKET, 16X1.0	5	5	5	5				
48	2	23414-250000	GASKET, 25X1.0	5	5	5	5				

Remarks
THIS FIGURE ARE NOT ILLUSTRATED.

Fig.28. SPAIR PART KIT

No.	Lev.	Parts No.	Description	Q'ty						I	R
				(A)	(B)	(C)	(D)	(E)	(F)		
1	1	724772-92500	PARTS KIT, SPARE	1							
2	1	721370-92500	REPAIR KIT		1						
3	2	124750-01331	GASKET, HEAD	1							
3-1	2	124772-01330	GASKET, HEAD	1							N
		(A=*1979.12)									
4	2	121370-01330	GASKET, HEAD		1						
4-1	2	121370-01331	GASKET, HEAD		1						N
		(B=*1976.12)									
5	2	124450-11900	GASKET	1							
6	2	121250-13520	GASKET		3						
7	2	124770-13130	GASKET, MUFFLER	1							
8	2	124770-13180	GASKET	1							
9	2	124770-13170	GASKET	1	2						
10	2	724750-22500	RING SET, PISTON	2	3						
10-1	2	724790-22500	RING SET, PISTON	2	3						N
		(A=*1978.03)									
		(B=*1978.03)									
11	2	124550-35110	ELEMENT	1	1						
12	2	104500-55710	ELEMENT	1	1						
13	2	124223-42091	IMPELLER	1	1						
14	2	124770-49200	THERMOSTAT	1							
15	2	105582-49200	THERMOSTAT		1						
16	2	27210-200300	ZINC, SCREW20X30	3	3						
17	2	124160-39450	SWITCH, 0.5KG	1	1						
18	2	46150-004530	SENDER UNIT, CW	1	1						
18-1	2	123682-91340	SWITCH, 60	1	1						F 1
		(A=E/#86262)									
		(B=E/#82258)									
19	2	124770-91040	LAMP, PILOT 12V 3.4W	3	3						
20	2	124770-53000	VALVE ASSY,INJECTION	2	3						
21	2	124772-77350	V-BELT, HM32	1	1						

Remarks
 THIS FIGURE ARE NOT ILLUSTRATED.
 (1)REFER TO FIG.20 REF.NO.18-1.

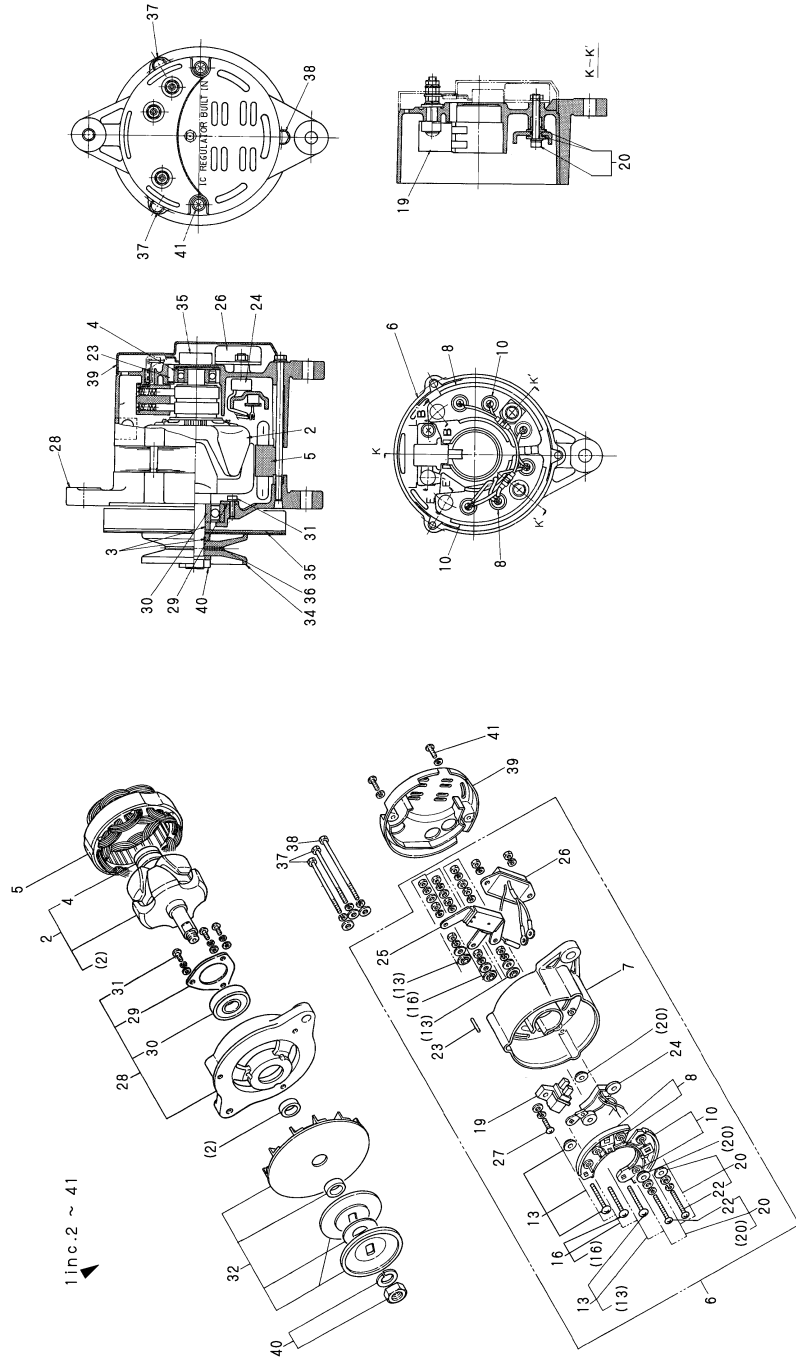
Fig.29. REPAIR KIT FOR INSPECTION

No.	Lev.	Parts No.	Description	Q'ty						I	R
				(A)	(B)	(C)	(D)	(E)	(F)		
1	1	724790-11990	GASKET SET			1					
2	1	721390-11990	GASKET SET				1				
3	2	24311-000140	O-RING, 1AP14.0			2	3				
4	2	124465-01750	GASKET, OIL SUMP			1					
4-1	2	124465-01751	GASKET (C=EXXX)			1					N
5	2	121250-01750	GASKET, OIL SUMP				1				
5-1	2	121250-01751	GASKET, OIL SUMP (D=EXXX)				1				N
6	2	124750-01331	GASKET, HEAD			1					
6-1	2	124772-01330	GASKET, HEAD (C=EXXX)			1					N
7	2	121370-01330	GASKET, HEAD				1				
7-1	2	121370-01331	GASKET, HEAD (D=EXXX)				1				N
8	2	121250-12710	GASKET, MANIFOLD				1				
9	2	124450-11900	GASKET			1					
10	2	124770-13130	GASKET, MUFFLER			1					
11	2	121250-13520	GASKET				3				
12	2	124450-44410	GASKET			1	1				
13	1	776000-02980	GASKET SET			1	1				
14	2	124770-82031	GASKET			1	1				
15	2	176000-02410	GASKET			1	1				
16	2	22411-300250	PIN 3.0* 25			1	1				
17	2	22451-100000	WIRE, 1.0			3	3				
18	2	124210-83360	CLAW			3	3				
19	2	124210-83370	SPRING			3	3				

Remarks
THIS FIGURE ARE NOT ILLUSTRATED.

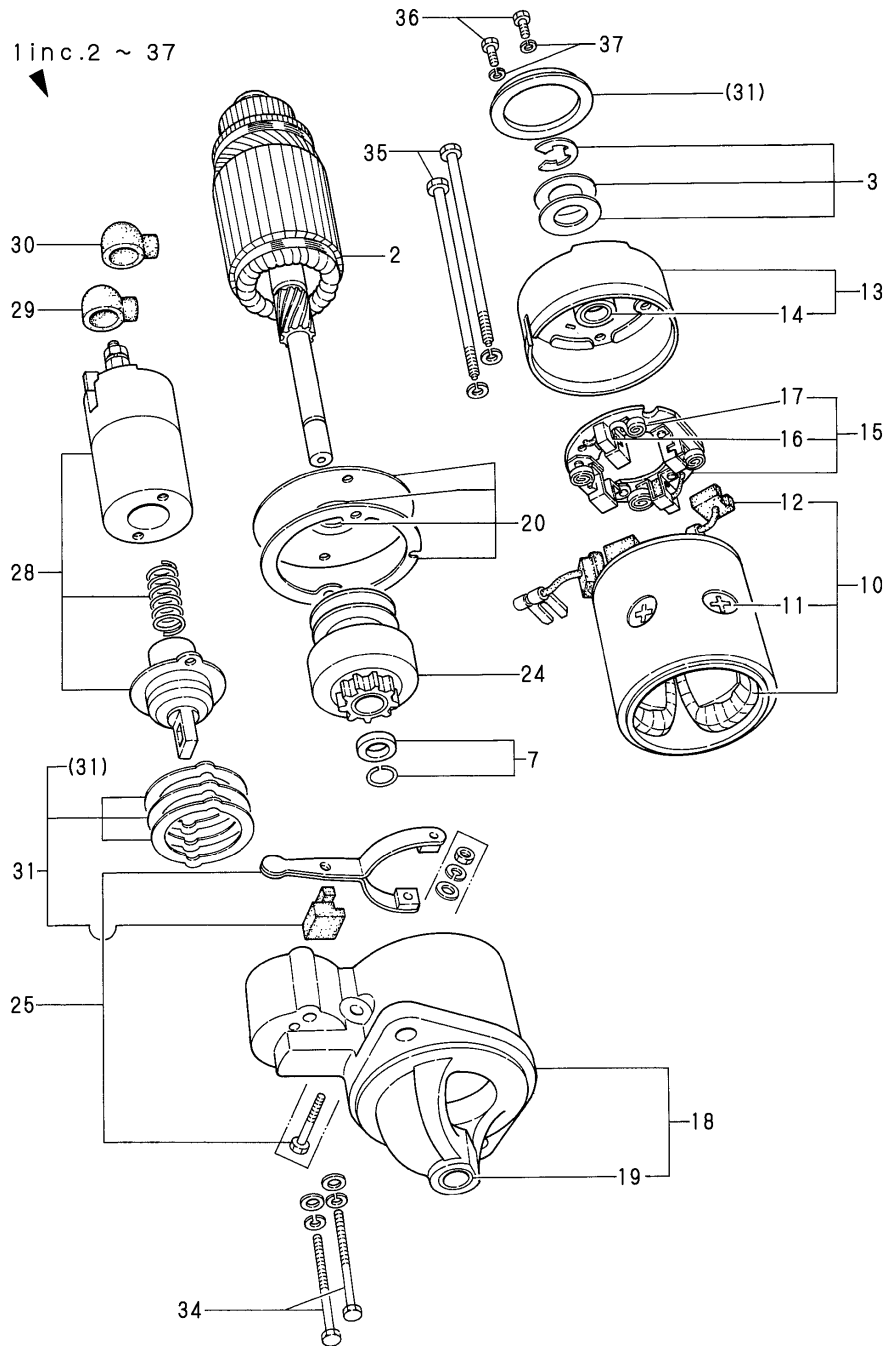
Fig.30. GENERATOR COMPONENT PART

(A)=2QM20
(B)=3QM30
(C)=2QM
(D)=3QM
(E)=
(F)=



No.	Lev.	Parts No.	Description	Q'ty						I	R
				(A)	(B)	(C)	(D)	(E)	(F)		
1	1	121370-77200	GENERATOR, LR135-31	1	1	1	1				
2	2	XLR135Y1100	ROTOR ASSY	1	1	1	1				
4	3	X6201SD	BEARING	1	1	1	1				
5	2	XL135Y1200	STATOR ASSY	1	1	1	1				
6	2	XL135Y1300	COVER ASSY, REAR	1	1	1	1				
7	3	XL135Y1301	COVER, REAR	1	1	1	1				
8	3	XL135Y1302	SR HOLDER (+)	1	1	1	1				
10	3	XL135Y1303	SR HOLDER (-)	1	1	1	1				
13	3	XL135Y1310	TERMINAL ASSY	2	2	2	2				
16	3	XL135Y1311	TERMINAL ASSY	1	1	1	1				
19	3	XL135Y13200	BRUSH ASSY.	1	1	1	1				
20	3	XL135Y1803	SCREW SET	2	2	2	2				
22	4	26557-050362	SCREW M 5X 36	2	2	2	2				
23	3	XL135Y1810	LOCK, BEARING	1	1	1	1				
24	3	XMV11305	CONTROL UNIT, FIELD	1	1	1	1				
25	3	XMV11306	CR ASSY	1	1	1	1				
26	3	121370-77950	REGULATOR, TR1Z28	1	1	1	1				
27	3	26557-050162	SCREW, M5X16	1	1	1	1				
28	2	XL135Y1400	COVER ASSY, FRONT	1	1	1	1				
29	3	XL135Y1401	RETAINER, BEARING	1	1	1	1				
30	3	X6302B	BALL BEARING	1	1	1	1				
31	3	26557-040182	SCREW	3	3	3	3				
32	2	XL135Y1531	PULLEY ASSY	1	1	1	1				
37	2	XL135Y1801	BOLT, THROUGH	2	2	2	2				
38	2	XL135Y1802	BOLT, THROUGH	1	1	1	1				
39	2	XL135Y1820	COVER	1	1	1	1				
40	2	XB444001A	NUT SET, PULLEY	1	1	1	1				
41	2	26557-050102	SCREW, M5X10	2	2	2	2				

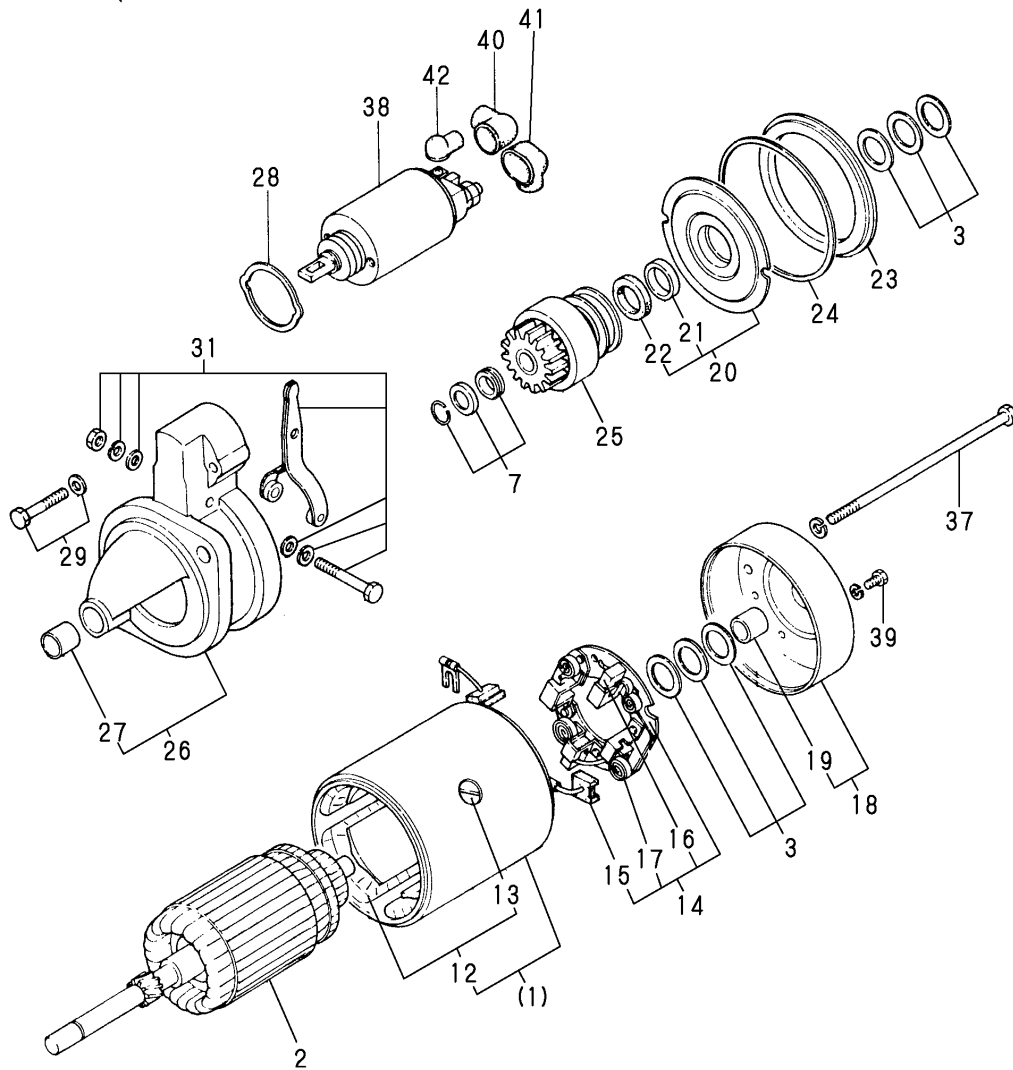
Fig.31. STARTING MOTOR COMPONENT PART(12V 1.0KW)



No.	Lev.	Parts No.	Description	Q'ty						I	R
				(A)	(B)	(C)	(D)	(E)	(F)		
1	1	124770-77010	STARTER	1							
2	2	X211441004	ARMATURE ASSY	1							
3	2	X21148110	WASHER SET, THRUST	1							
7	2	X21147155	STOPPER SET, PINION	1							
10	2	X211482001	COIL ASSY, FIELD	1							
11	3	X21147215	SCREW, POLE CORE	4							
12	3	X21145312	BRUSH, +	2							
13	2	X211423001	COVER ASSY, REAR	1							
14	3	X21145352	METAL	1							
15	2	X21141360	HOLDER ASSY, BRUSH	1							
16	3	X21145313	BRUSH(-)	2							
17	3	X21144314	SPRING, BRUSH	4							
18	2	X211426006	CASE ASSY, GEAR	1							
19	3	X21144661	METAL, GEAR CASE	1							
20	2	X211484001	BRACKET ASSY	1							
24	2	X211485001	PINION ASSY	1							
25	2	X211416511	LEVER ASSY.	1							
28	2	X211427003	SWITCH ASSY, MAGNET.	1							
29	2	X21142742	COVER (A), RUBBER	1							
30	2	X21141742	COVER (B), RUBBER	1							
31	2	X21148861	COVER SET, DUST	1							
34	2	X21144886	BOLT	2							
35	2	X21146815	BOLT, THROUGH	2							
36	2	26557-040122	SCREW, M4X12	2							
37	2	22212-040000	SPRING WASHER 4	2							
37-1	2	22217-040000	WASHER, SPRING 4	2							R
		(A=EXXX)	(B=EXXX)	(C=EXXX)	(D=EXXX)						

Fig.32. STARTING MOTOR COMPONENT PART(12V 1.8KW)

1 inc.(1) ~ 42

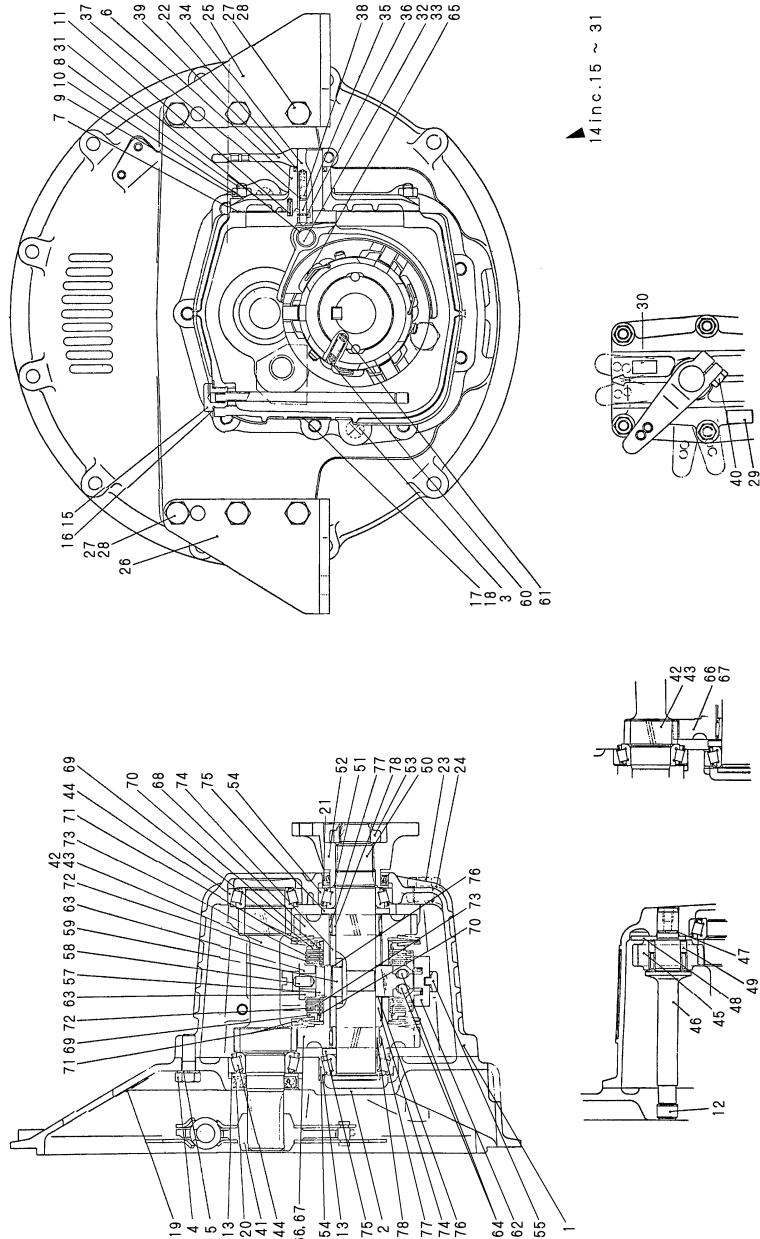


(A)=2QM20
(B)=3QM30
(C)=2QM

(D)=3QM
(E)=
(F)=

No.	Lev.	Parts No.	Description	Q'ty						I	R
				(A)	(B)	(C)	(D)	(E)	(F)		
1	1	121370-77010	STARTER, S12-47	1	1	1					
2	2	X21207100	ARMATURE ASSY	1	1	1					
3	2	X21201115	WASHER SET, THRUST	1	1	1					
7	2	X21143155	STOPPER SET, PINION	1	1	1					
12	2	X21202220	COIL ASSY, FIELD	1	1	1					
13	3	X21142215	SCREW	4	4	4					
14	2	X21203305Y	HOLDER ASSY, BRUSH	1	1	1					
15	3	X21207311	BRUSH (+)	2	2	2					
16	3	X21205312	BRUSH (-)	2	2	2					
17	3	X21201313	SPRING, BRUSH	4	4	4					
18	2	X21202350	COVER ASSY, REAR	1	1	1					
19	4	X21204302	METAL, COVER BEARING	1	1	1					
20	2	X21209400	BEARING ASSY	1	1	1					
21	3	X21204401	METAL, CENTER BERG.	1	1	1					
22	3	X21201403	SEAL, OIL	1	1	1					
23	2	X21202404	CENTER PIECE	1	1	1					
24	2	X21201404	PACKING, CENTER	1	1	1					
25	2	X21205550	PINION ASSY	1	1	1					
26	2	X212086001	HOUSING ASSY, GEAR	1	1	1					
27	3	X21202601	METAL, GEAR CASE	1	1	1					
28	2	X21204610	COVER, DUST	1	1	1					
29	2	X21201815	BOLT	2	2	2					
31	2	X21206605	LEVER SET, SHIFT	1	1	1					
37	2	X21207810	BOLT, THROUGH	2	2	2					
38	2	X21203750	SWITCH, MAGNETIC	1	1	1					
39	2	26557-040082	SCREW, M4X 8	6	6	6					
40	2	X21201836	COVER, RUBBER	1	1	1					
41	2	X21201742	COVER, RUBBER	1	1	1					
42	2	X21201744	COVER, RUBBER	1	1	1					

Fig.33. CLUTCH KBW-10A(FOR 2QM20)(OPTIONAL)



(A)=KH18-A
(B)=KBW-10A
(C)=

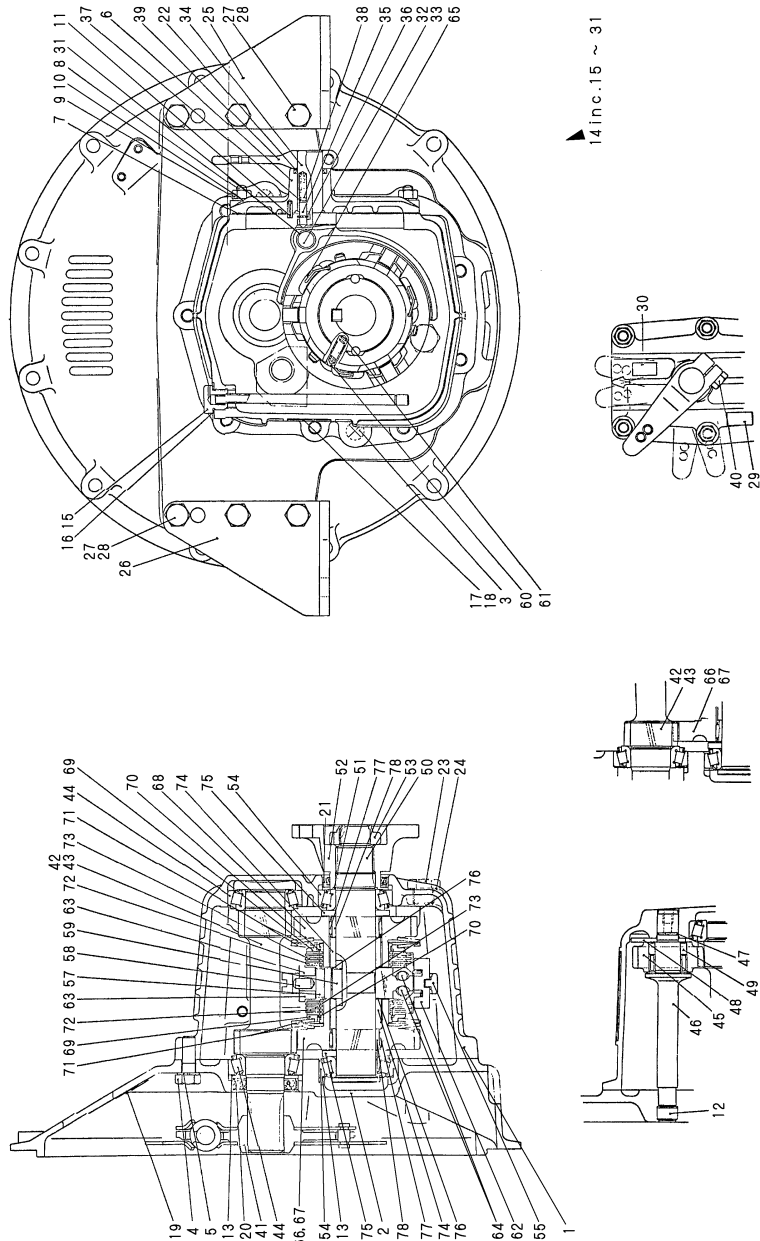
(D)=
(E)=
(F)=

No.	Lev.	Parts No.	Description	Q'ty						I	R
				(A)	(B)	(C)	(D)	(E)	(F)		
1	1	177099-02110	HOUSING, CLUTCH		1						
2	1	177099-02120	FLANGE		1						
3	1	177099-02130	PIN, PARALLEL		2						
4	1	26116-100302	BOLT, M10X 30 PLATED		9						
5	1	22287-100000	WASHER, 10		9						
6	1	177099-02081	COVER		1						
7	1	177099-02091	GASKET		1						
8	1	26216-080222	STUD, M8X 22		6						
9	1	26716-080002	NUT, M8		6						
10	1	22287-080000	WASHER, 8		6						
11	1	22352-040012	SPRING PIN 4X12		1						
12	1	177099-06050	PLUG		1						
13	1	177099-02250	SHIM SET		2						
14	1	177099-06010	FORK ASSY		1						
15	2	177099-02450	DIPSTICK		1						
16	2	23414-160021	GASKET, 16X1.0		1						
17	2	177099-02421	LABEL		4						
18	2	102210-07990	RIVET		4						
19	2	177095-02400	LABEL		1						
20	2	177099-02950	SEAL TC30 52 8, OIL		1						
21	2	177099-02960	SEAL TC40 52 8, OIL		1						
22	2	177095-02980	SEAL, OIL		1						
23	2	23884-160002	PLUG 16		1						
24	2	23414-160000	GASKET, 16X1.0		1						
25	2	177080-02720	BRACKET		1						
26	2	177080-02730	BRACKET		1						
27	2	26116-100302	BOLT, M10X 30 PLATED		4						
28	2	22287-100000	WASHER, 10		6						
29	2	177090-02620	LABEL		1						
30	2	177090-02630	LABEL		1						
31	2	177095-06070	BEARING		2						
32	1	177099-06041	SHAFT, SHIFT		1						
33	1	177099-06050	PLUG		1						
34	1	177095-06030	CAM, SHIFT		1						
35	1	177095-06050	PIN		1						
36	1	177095-06140	CIRCLIP		1						
37	1	177095-03200	SPRING		1						
38	1	177095-06060	SPRING		1						
39	1	177095-06040	LEVER		1						
40	1	26116-080252	BOLT, M8X 25 PLATED		1						
41	1	177099-03500	DISK, DAMPER		1						
42	1	177099-03011	SHAFT, INPUT I=2.14		1						
43	1	177099-03411	SHAFT, INPUT I=2.83		1						
44	1	177099-03920	ROLLER BEARING		2						
45	1	177099-03301	GEAR, IDLE Z=25		1						
46	1	177099-03311	SHAFT, GEAR		1						
46-1	1	177099-03980	SHAFT, GEAR		1						S 1
(B=C/#2679)											
47	1	24341-000150	O-RING, 1AS15.0		1						
48	1	177099-03321	WASHER		1						
49	1	177099-03900	NEEDLE BEARING		2						

Remarks

(1)INTERCHANGEABLE BY SIMULTANEOUS REPLACEMENT WITH REF.NO.49-1.

Fig.33. CLUTCH KBW-10A(FOR 2QM20)(OPTIONAL)



(A)=KH18-A
(B)=KBW-10A
(C)=

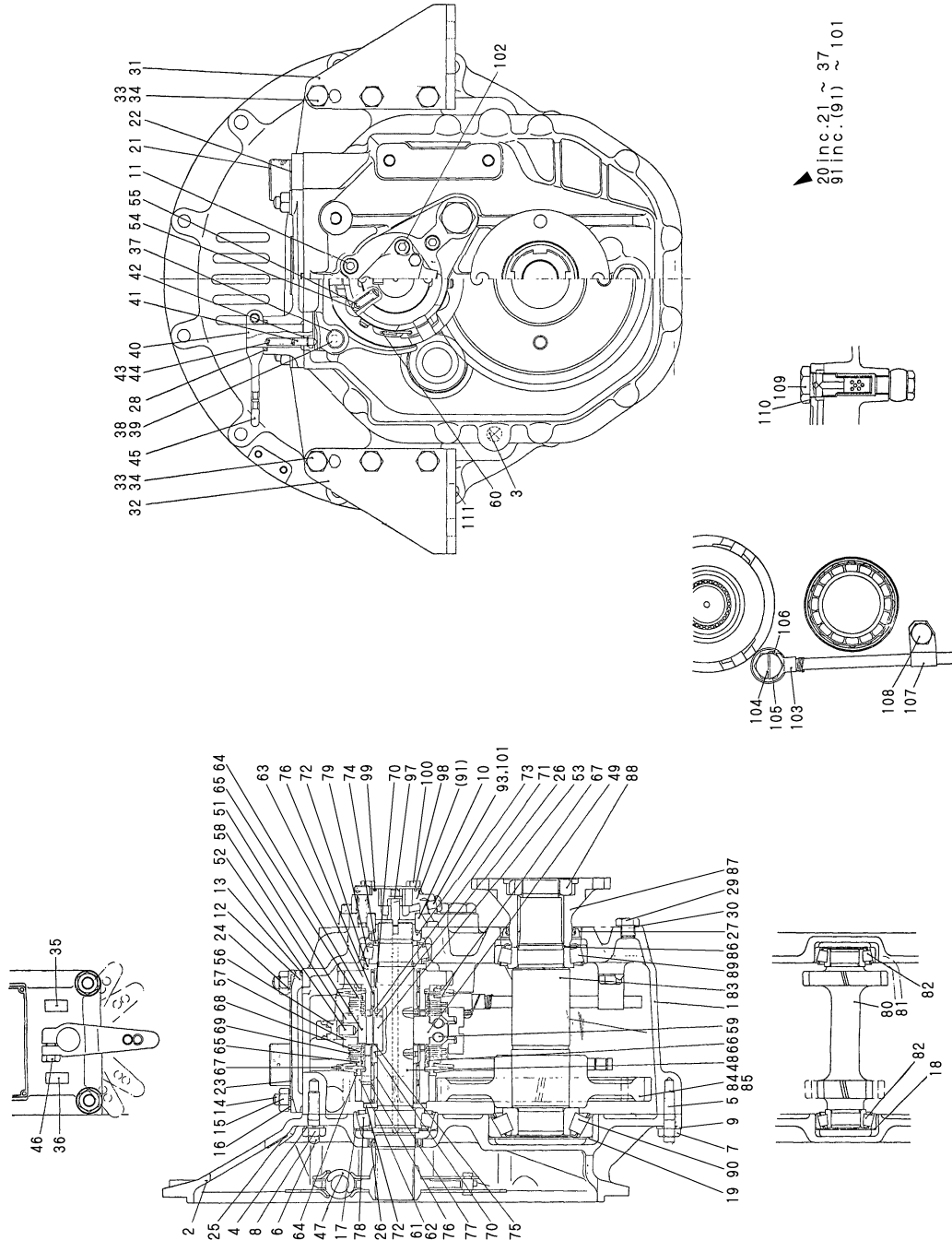
(D)=
(E)=
(F)=

No.	Lev.	Parts No.	Description	Q'ty						I	R
				(A)	(B)	(C)	(D)	(E)	(F)		
49-1	1	177099-03901 (B=C/#2679)	NEEDLE BEARING		2						S
50	1	177099-03021	SHAFT, OUTPUT		1						
51	1	24321-000300	O-RING, 1AG30.0		1						
52	1	177099-03550	COUPLING		1						
53	1	177099-03540	NUT, LOCK		1						
54	1	177099-03920	ROLLER BEARING		2						
55	1	177099-03040	PLATE ASSY, DRIVE		1						
57	2	177095-03030	PIN, PARALLEL		2						
58	2	177095-03040	PIN, PARALLEL		3						
59	1	177090-03230	KEY		1						
60	1	177095-03190	PIN		3						
61	1	177095-03200	SPRING		3						
62	1	177099-03070	RING, SHIFT		1						
63	1	177099-03080	PLATE, PRESSURE		2						
64	1	177090-03180	BALL, STEEL		6						
65	1	177095-03210	SPRING		3						
66	1	177099-03101	GEAR, Z=47 I=2.14		1						
67	1	177099-03431	GEAR, Z=51 I=2.83		1						
68	1	177099-03111	GEAR, Z=45		1						
69	1	177090-03110	RETAINER		2						
70	1	177095-03280	CIRCLIP		2						
71	1	177090-03121	SPRING		4						
72	1	177090-03080	DISK, D78 T1.7		8						
73	1	177090-03090	PLATE, STEEL		6						
74	1	177099-03161	SPACER		2						
75	1	177090-03270	COLLAR, THRUST		2						
76	1	177095-03800	SHIM SET		2						
77	1	177095-03900	ROLLER BEARING		2						
78	1	177099-03470	RACE, INNER		2						

Remarks

(1)INTERCHANGEABLE BY SIMULTANEOUS REPLACEMENT WITH REF.NO.49-1.

Fig.34. CLUTCH KH-18A(FOR 3QM30)(OPTIONAL)

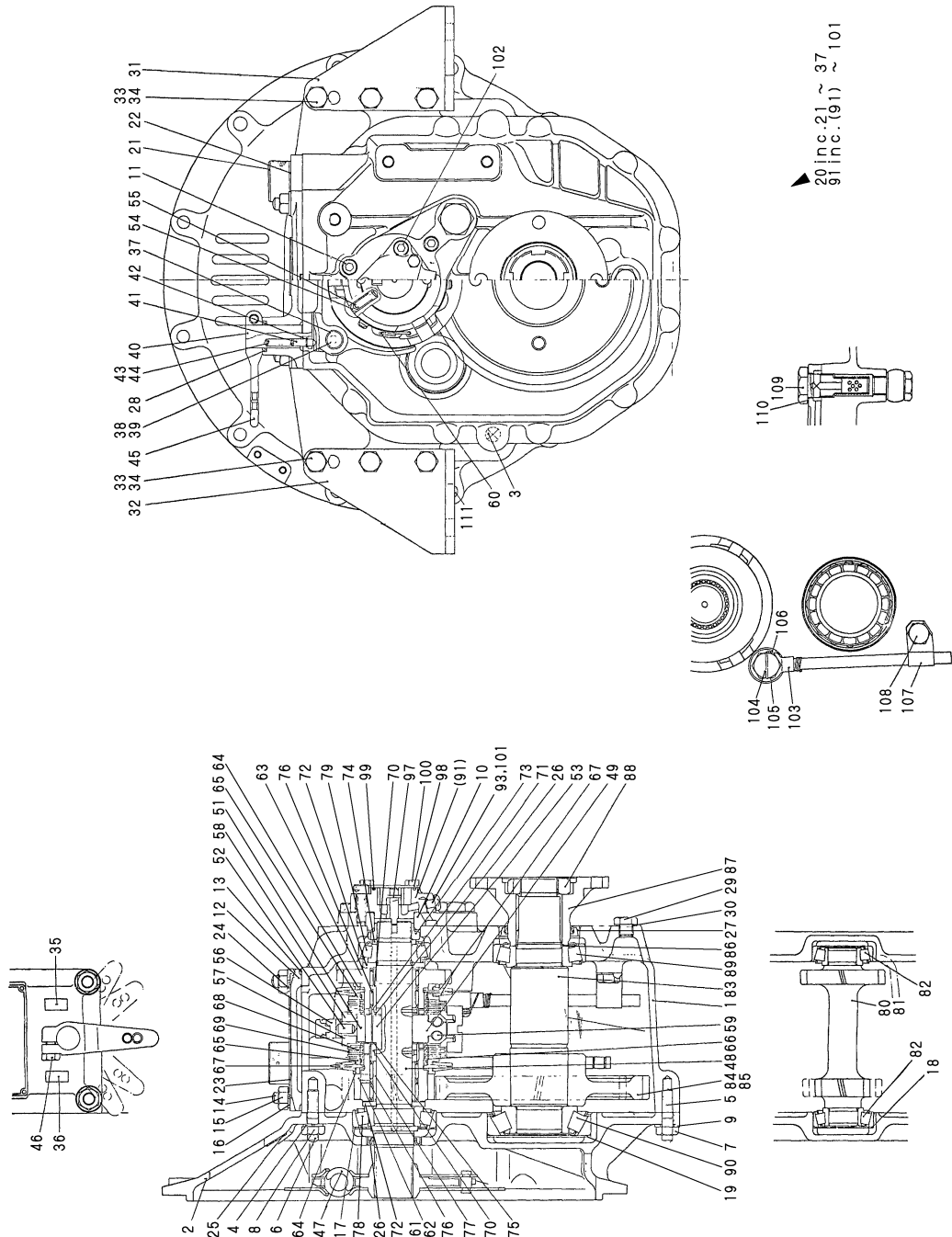


(A)=KH18-A
(B)=KBW-10A
(C)=

(D)=
(E)=
(F)=

No.	Lev.	Parts No.	Description	Q'ty						I	R
				(A)	(B)	(C)	(D)	(E)	(F)		
1	1	177090-02700	HOUSING, CLUTCH	1							
2	1	177091-02710	FLANGE	1							
3	1	177099-02130	PIN, PARALLEL	2							
4	1	22287-100000	WASHER, 10	8							
5	1	26223-100252	STUD, M10X 25	4							
6	1	26226-100252	STUD, M10X 25	8							
7	1	26713-100002	NUT, M10	4							
8	1	26716-100002	NUT, M10	8							
9	1	22133-100000	WASHER, 10	4							
10	1	177090-02800	SPACER	1							
11	1	26450-080222	BOLT, M8X 22	3							
12	1	177090-02070	COVER	1							
13	1	177090-02120	PACKING, COVER	1							
14	1	26226-100252	STUD, M10X 25	4							
15	1	26716-100002	NUT, M10	4							
16	1	22287-100000	WASHER, 10	4							
17	1	177095-02250	SHIM SET	1							
18	1	177090-02250	SHIM	1							
19	1	177095-02310	SHIM	1							
20	1	177090-06010	FORK ASSY, SHIFT	1							
21	2	177090-02451	DIPSTICK	1							
22	2	23418-270035	GASKET, 27X1.0	1							
23	2	177090-02421	LABEL	1							
24	2	102210-07990	RIVET	4							
25	2	177095-02400	LABEL	1							
26	2	177095-02960	SEAL SB35 47 7, OIL	1							
27	2	177090-02970	SEAL TC54 70 9, OIL	1							
28	2	177095-02980	SEAL, OIL	1							
29	2	23884-120002	PLUG M12,HEX.	1							
30	2	23414-120000	GASKET, 12X1.0	1							
31	2	177091-02720	BRACKET	1							
32	2	177091-02730	BRACKET	1							
33	2	26116-100282	BOLT M10X 28 PLATED	6							
34	2	22287-100000	WASHER, 10	6							
35	2	177090-02620	LABEL	1							
36	2	177090-02630	LABEL	1							
37	2	177095-06070	BEARING	2							
38	1	177090-06300	SHAFT, SHIFT	1							
39	1	177099-06050	PLUG	1							
40	1	177095-06030	CAM, SHIFT	1							
41	1	177095-06050	PIN	1							
42	1	177095-06140	CIRCLIP	1							
43	1	177095-03200	SPRING	1							
44	1	177095-06060	SPRING	1							
45	1	177095-06040	LEVER	1							
46	1	26116-080252	BOLT, M8X 25 PLATED	1							
47	1	177090-03500	DISC, DAMPER	1							
48	1	177090-03750	SHAFT, INPUT	1							
49	1	177090-03020	PLATE ASSY, DRIVE	1							
51	2	177095-03030	PIN, PARALLEL	2							
52	2	177095-03040	PIN, PARALLEL	3							

Fig.34. CLUTCH KH-18A(FOR 3QM30)(OPTIONAL)

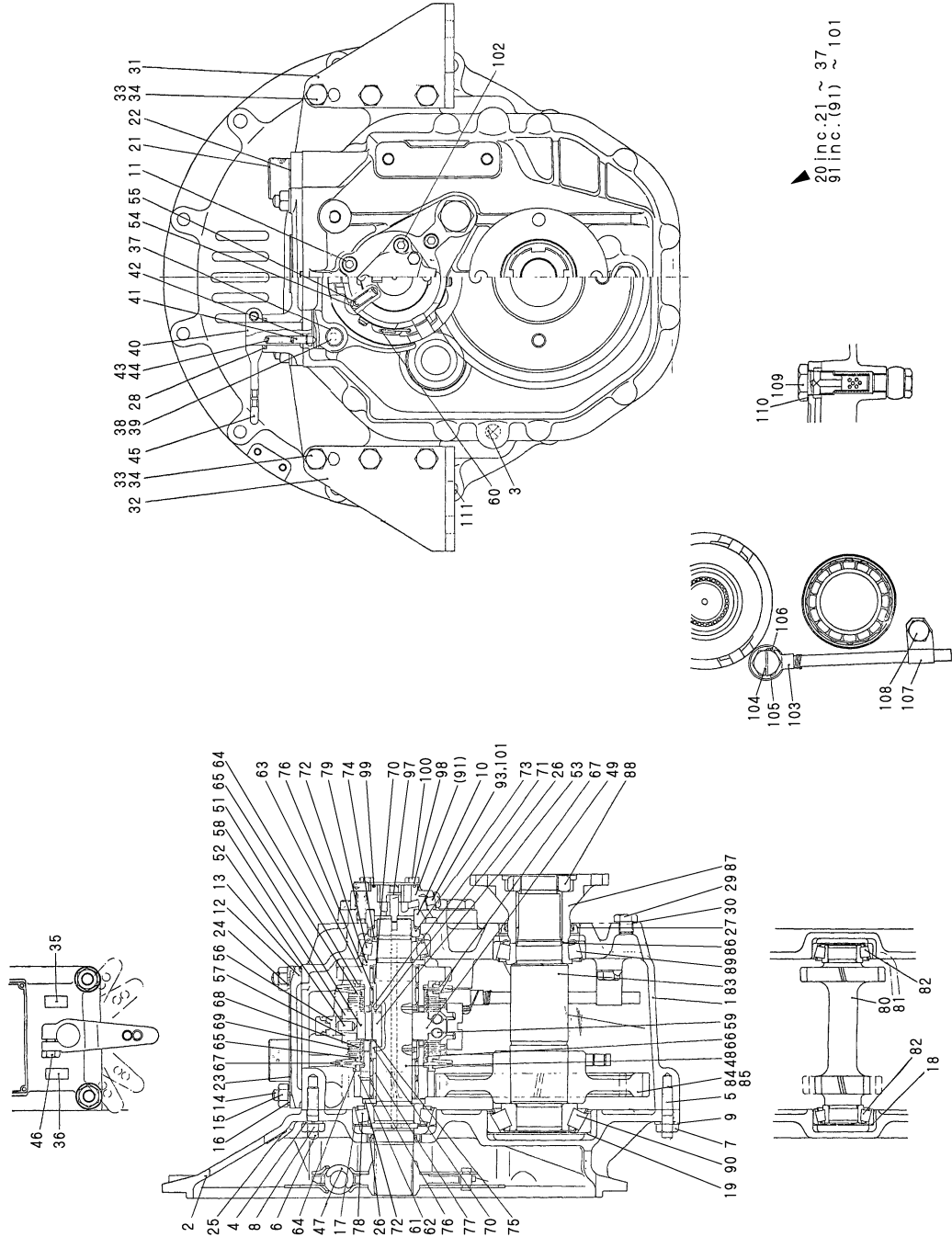


(A)=KH18-A
(B)=KBW-10A
(C)=

(D)=
(E)=
(F)=

No.	Lev.	Parts No.	Description	Q'ty						I	R
				(A)	(B)	(C)	(D)	(E)	(F)		
53	1	177090-03230	KEY	1							
54	1	177095-03190	PIN	3							
55	1	177095-03200	SPRING	3							
56	1	177090-03050	RING, SHIFT	1							
57	1	177090-03060	PLATE, PRESSURE	1							
58	1	177090-03070	PLATE, PRESSURE	1							
59	1	177090-03180	BALL, STEEL	6							
60	1	177090-03210	SPRING	3							
61	1	177090-03300	PINION, Z=24 I=3	1							
62	1	177090-03600	PINION, Z=32	1							
63	1	177090-03310	GEAR, Z=36	1							
64	1	177090-03100	RETAINER	2							
65	1	177090-03110	RETAINER	2							
66	1	177095-03280	CIRCLIP	2							
67	1	177090-03121	SPRING	4							
68	1	177090-03080	DISK, D78 T1.7	8							
69	1	177090-03090	PLATE, STEEL	6							
70	1	177090-03130	SPACER	1							
71	1	177090-03140	SPACER	1							
72	1	177090-03270	COLLAR, THRUST	2							
73	1	177090-03760	NUT	1							
74	1	177095-03240	SPACER	1							
75	1	177095-03800	SHIM SET	2							
76	1	177095-03900	ROLLER BEARING	4							
77	1	177095-03150	BUSH	2							
78	1	24141-302070	BEARING, 30207	1							
79	1	24141-302060	BEARING, 30206	1							
80	1	177090-03320	GEAR, IDLE Z=17/26	1							
81	1	177090-03610	GEAR, IDLE Z=24/26	1							
82	1	24141-302050	BEARING, 30205	2							
83	1	177090-03800	SHAFT, OUTPUT	1							
84	1	177090-03810	GEAR, I=3 Z=72	1							
85	1	177090-03820	GEAR, OUTPUT Z=65	1							
86	1	24341-000380	O-RING, 1AS38.0	1							
87	1	177090-03391	COUPLING	1							
88	1	177090-03400	NUT	1							
89	1	24141-302080	BEARING, 30208	1							
90	1	177090-03920	ROLLER BERG. #30308	1							
91	1	777095-04900	PUMP ASSY, HYDRAULIC	1							
93	2	124060-32990	PLUG	2							
97	2	101304-32560	PIN	1							
98	2	124060-32070	COVER	1							
99	2	103338-32570	O-RING	1							
100	2	26116-060102	BOLT, M6X 10 PLATED	3							
101	2	23414-080000	GASKET, 8X1.0	2							
102	1	26450-080222	BOLT, M8X 22	2							
103	1	177090-07400	PIPE	1							
104	1	23851-100006	BOLT, JOINT 10	1							
105	1	23414-160000	GASKET, 16X1.0	2							
106	1	22451-100000	WIRE, 1.0	1							
107	1	177090-07410	RETAINER, PIPE	1							

Fig.34. CLUTCH KH-18A(FOR 3QM30)(OPTIONAL)



(A)=KH18-A
(B)=KBW-10A
(C)=

(D)=
(E)=
(F)=

No.	Lev.	Parts No.	Description	Q'ty						I	R
				(A)	(B)	(C)	(D)	(E)	(F)		
108	1	26116-100152	BOLT, M10X 15 PLATED	1							
109	1	177090-04400	STRAINER	1							
110	1	23414-200000	GASKET, 20X1.0	1							
111	1	177095-04120	GASKET, PUMP	1							

Fig.35. SPECIAL TOOL(KBW-10A & KH18-A)

No.	Lev.	Parts No.	Description	Q'ty						I	R
				(A)	(B)	(C)	(D)	(E)	(F)		
1	1	177090-09010	SPACER	1	1						
2	1	177095-09020	TOOL, REPLACER	1	1						
3	1	177095-09060	TOOL, HOLDER	1							
4	1	177099-09040	PIPE		1						
5	1	177095-09170	TOOL, REPLACER		1						
6	1	177095-09070	SPRING	1	1						
7	1	177095-09080	WRENCH	1	1						
8	1	177095-09090	WRENCH	1							
9	1	177090-09100	WRENCH	1							
10	1	177099-09010	WRENCH		1						
11	1	177095-09110	PLATE, SUPPORT	1							
12	1	177099-09030	RETAINER		1						
13	1	177090-09130	PLATE, SUPPORT	1							
14	1	177090-09140	WRENCH	1							
15	1	177099-09020	WRENCH		1						
16	1	177090-09150	PIN	2							
17	1	22312-100200	PIN, PARALLEL M10X20		2						
18	1	177090-09160	SPACER	1	1						

Remarks
THIS FIGURE ARE NOT ILLUSTRATED.

Parts No. Index

Parts No.	Fig. No.	Ref. No.
101104-01750	3	57
101104-01760	3	58
	22	7
101104-92180	26	15
101147-59810	1	67
	8	33
	15	80
101158-11230	3	51
101304-32560	34	97
101304-59020	15	42
		48
101400-55440	20	5
101400-92010	26	3
101404-92140	26	14
101720-51900	15	12 -1
102103-55520	15	10 -1
102210-07990	33	18
	34	24
103338-11180	3	10
103338-11190	3	11
103338-14200	5	6
103338-32570	34	99
103338-92020	26	2
103338-92030	26	4
103338-92100	26	8
103854-11490	3	42
	27	15
103854-53120	14	6
103854-53180	14	9
103854-59200	15	57
103854-66420	17	18
103884-03160	11	40
104200-03641	3	61
104200-11920	4	22
	11	37
104200-92130	26	11
104200-92350	25	7
104211-42050	10	38
104211-42070	10	43
104211-49060	12	17
		35
104211-49160	4	39
	12	37
	27	29
104211-82090	22	66
104211-83290	23	29
104214-03700	3	86
104214-39650	8	50
104214-83500	24	49
104214-83980	24	50

Parts No.	Fig. No.	Ref. No.
104214-83990	24	51
104214-84450	22	34
104214-86030	16	4
	22	38
104264-59020	15	44
104264-59030	15	51
		54
104271-91350	21	9
104500-55710	15	5
	28	12
104511-11370	3	24
104571-91100	20	41
	21	13
104600-11100	3	5
104600-11110	3	6
104600-22300	7	7
104600-22400	7	8
104700-11350	3	8
104900-11410	3	40
104900-11450	3	41
	27	14
104900-53080	14	4
105582-49200	12	43
	28	15
105582-49900	12	9
105582-52010	15	72
105582-59020	15	49
105582-59150	15	67
105582-82090	22	67
	27	36
105582-82120	22	77
105582-82130	22	79
105582-82780	22	83
105582-84150	22	53
105582-84470	22	47
105583-85900	24	57
105584-59870	19	20
110250-53150	14	8
110250-55520	15	10
110250-55610	15	9
111154-51900	15	12
		58
113200-53110	14	5
113200-53120	14	7
120220-03660	3	71 -1
120220-13010	4	15
120220-13510	4	14
120220-82090	27	35
120220-82130	22	78
120220-82230	24	26

Parts No.	Fig. No.	Ref. No.
120220-82240	24	28
	27	37
120220-82280	24	33
120220-82300	24	30
120220-83060	24	2
		4
120220-83200	23	34
120220-83230	24	5
120220-83250	23	38
120220-83260	24	11
120220-83290	23	30
120220-83342	23	19
120220-83410	24	10
120220-83420	24	9
120220-83450	23	65
120220-83470	24	16
120220-83480	24	17
120220-83490	24	18
120220-84120	23	40
120220-84130	22	59
120220-84300	22	50
120220-84310	23	71
120220-84320	23	41
120220-84472	22	46
120220-84490	23	39
120221-83030	24	3
120221-83520	23	61
120445-44530	11	66
120445-44540	11	67
120445-59220	15	50
120445-77950	11	40 -1
121150-51460	13	30
121250-01220	6	24
121250-01520	1	33
121250-01522	1	33 -1
121250-01750	1	52
	27	6
	29	5
121250-01751	1	52 -1
	27	6 -1
	29	5 -1
121250-01791	1	34
121250-01850	1	73
121250-01950	1	70
121250-01951	1	70 -1
121250-01990	1	26
121250-02100	1	22
	6	18
		36
121250-02110	6	19

Parts No.	Fig. No.	Ref. No.
121250-02130	6	29
121250-02220	6	21
121250-02300	6	35
121250-02450	5	10
121250-11520	3	23
121250-11550	4	10
121250-12710	4	9
	29	8
121250-13520	4	52
	28	6
	29	11
121250-14010	5	2
121250-14100	5	5 -1
121250-21200	6	8 -1
121250-32201	8	3 -1
121250-35300	8	16
121250-35320	8	21
121250-35330	8	23
121250-35340	8	25
121250-39200	8	28
121250-59810	15	30
121250-59820	15	28
121250-59830	15	24
121250-59850	15	35
121250-59860	15	38
121250-66400	17	27
121250-77210	19	10
121252-39200	8	28 -1
121370-01330	1	43
	28	4
	29	7
121370-01331	1	43 -1
	28	4 -1
	29	7 -1
121370-01850	12	45
121370-03680	3	64
121370-08340	1	90
121370-11080	3	21
121370-11310	3	83
	27	17
121370-11320	3	78
121370-11331	3	79
	27	18
121370-11750	3	25
121370-12730	4	6
121370-13160	4	28
121370-21591	6	40
121370-21651	6	11
121370-21680	6	46
121370-35061	8	12

Parts No. Index

Parts No.	Fig. No.	Ref. No.
121370-35080	8	45
121370-49010	12	1
121370-49020	12	2 A
121370-49040	4	60
121370-49050	4	80
121370-49060	12	6
121370-49160	4	42
	12	38
	27	30
121370-49171	12	36
121370-49190	12	31
121370-55600	15	1
121370-55601	15	1 -1
121370-55730	15	7
121370-59010	15	40
121370-59030	15	46
121370-59500	15	77
121370-59810	15	22
121370-59820	15	26
121370-59830	15	29
121370-67100	16	21
	17	98
121370-77010	19	2
	32	1
121370-77200	19	3
	30	1
121370-77920	20	22
121370-77950	30	26
121370-83981	24	52
121370-85401	24	47
121370-85910	24	56
121370-86101	16	2
	22	42
121390-08120	1	87
121390-13250	4	41
121390-21650	6	13
121390-32001	8	2 -1
121390-32200	8	3 -2
121390-42030	9	6
	10	6
121390-42120	11	15
121390-42130	9	6 -1
121390-42140	9	30
	10	31
	27	28
121390-42150	9	34
121390-46010	10	37
121390-46130	9	27
	10	28
121390-48750	12	61

Parts No.	Fig. No.	Ref. No.
121390-49010	12	25
121390-49020	12	27
121390-49040	4	61
121390-49050	12	57
121390-59501	15	79
121390-66150	17	31
121400-39240	15	85
121575-42150	9	33 -1
122117-51560	13	36
122310-83380	23	14
122310-83390	23	16
122310-83400	24	37
122310-83410	24	23
122310-83460	23	67
122310-83630	23	15
122310-83800	23	69
122310-84421	23	57
122310-84450	23	55
122310-84460	23	51
122310-84470	23	52
122410-61670	2	33
122410-84450	23	59
123210-09310	3	29
	11	49
	12	16
	27	13
123220-46910	12	64
123310-77640	20	38
123325-49220	4	47
		58
		69
	11	52
		55
123325-59100	15	36
123325-59110	15	37
123482-91250	20	8 -1
123482-91251	20	8 -2
123482-91290	20	9 -1
123482-91291	20	9 -2
123672-44190	11	29
123672-44200	11	30
123672-44210	11	32
123682-44220	11	33
123682-91340	20	18 -1
	28	18 -1
124060-01050	1	16
124060-11510	3	22
124060-21660	6	48
124060-32070	34	98
124060-32990	34	93

Parts No.	Fig. No.	Ref. No.
124070-07230	1	81 -1
124070-77800	19	15
124070-77801	19	15 -1
124070-91000	21	1
124070-91010	21	2
124070-91030	21	10
124070-91160	20	43
	21	15
124070-91250	21	5
124070-91290	21	6
124070-91300	21	7
124070-91310	21	8
124160-01750	3	57 -1
124160-01751	3	57 -2
124160-01861	1	74
	27	7
124160-01862	1	74 -1
124160-01863	1	74 -2
	27	7 -1
124160-01910	1	5 -1
		27
124160-21670	6	9
124160-21700	6	43
124160-34842	1	29
	27	20
124160-34843	1	29 -1
	27	20 -1
124160-34844	1	29 -2
	27	20 -2
124160-39140	8	29
124160-39450	20	21
	28	17
124210-83150	23	17
124210-83270	24	6
		8
124210-83360	22	76
	23	21
	29	18
124210-83370	23	22
	29	19
124210-84402	23	56
124210-84410	23	58
124220-09320	3	30
	11	50
	12	14
124220-35210	15	6
124220-35220	15	8
124220-35230	15	15
124220-35240	15	14
124220-35270	15	11

Parts No.	Fig. No.	Ref. No.
124221-83530	24	14
124223-01850	15	73
	27	32
124223-13070	4	34
124223-42020	9	39
	10	46
	27	24
124223-42040	9	24
	10	25
124223-42070	9	13
	10	13
124223-42080	9	17
	10	17
124223-42091	9	19
	10	19
	28	13
124223-42100	9	21
124223-42110	9	31
	10	32
	27	25
124223-42120	9	26
	10	27
124223-42140	9	29
	10	30
	27	27
124223-42150	9	33
124223-42160	9	15
	10	15
124223-46011	10	36
124223-46100	12	66
124223-46150	10	45
124223-46950	12	67
124223-48050	12	52
		60
124223-48400	12	62
124223-49050	12	50
		56
124223-49300	4	32
		68
	12	18
		34
124223-49750	1	79
	4	26
	11	39
124223-59400	15	86
124223-59850	15	43
124223-77840	20	29
124223-92800	1	88
124227-21920	6	44
124227-83220	24	20

Parts No. Index

Parts No.	Fig. No.	Ref. No.
124240-01881	2	24
	27	10
124240-01882	2	24 -1
	27	10 -1
124240-42291	19	5
124240-51390	13	25
124250-01650	1	80
124250-03630	3	71
124250-03640	3	74
124250-11880	3	7
124250-21501	6	45
124250-42170	11	8
124250-42200	11	5
124250-42240	11	6
124250-42260	11	9
124250-42350	11	7
124323-42100	9	21 -1
	10	21
124323-85900	24	58
124450-01210	1	7
124450-01220	1	8
124450-01230	1	9
124450-01240	1	11
124450-01250	1	10
124450-01511	2	6
	27	8
124450-01512	2	6 -1
	27	8 -1
124450-01800	2	5
124450-01960	1	37
124450-01980	1	38
124450-02110	6	37
124450-02220	6	20
124450-11160	3	12
124450-11161	3	12 -1
124450-11170	3	13
124450-11171	3	13 -1
124450-11290	3	44
124450-11310	3	82
	27	16
124450-11320	3	59
	4	13
124450-11671	3	89
124450-11681	3	90
	27	12
124450-11900	4	50
	28	5
	29	9
124450-14100	5	5
124450-14120	5	3

Parts No.	Fig. No.	Ref. No.
124450-14400	5	7
124450-21200	6	8
124450-21530	6	42
124450-23100	7	12
124450-23200	7	11
124450-23300	7	13
124450-32020	8	10
	27	21
124450-32200	8	3
124450-35070	8	13
124450-35110	8	54
124450-35301	8	15
124450-35320	8	20
124450-35330	8	22
124450-35350	8	26
124450-39240	8	34
124450-44410	3	33
	11	19
	27	11
	29	12
124450-44560	4	25
	11	35
	12	48
124450-61200	17	4
124450-61220	17	3
124450-66040	17	15
124450-66411	17	28
124450-66420	17	29
	29	-2
124450-66430	17	41
124450-66460	17	8
124450-66520	17	24
124450-66550	17	25
124460-02150	1	19
	6	32
	27	19
124460-03650	3	78 -1
124460-03662	3	79 -1
124460-03663	3	79 -2
	27	18 -1
124460-11270	3	15
124460-11360	3	84
124460-59050	15	45
		52
		55
124460-59850	15	31
124460-59860	15	32
124460-66400	17	38
124460-66611	17	22
124460-77680	4	25 -1

Parts No.	Fig. No.	Ref. No.
124460-77680	11	35 -1
	12	48 -1
124460-92400	26	7
124465-01750	1	51
	27	5
	29	4
124465-01751	1	51 -1
	27	5 -1
	29	4 -1
124465-14010	5	1
124465-39200	8	27
124465-59800	15	27
124465-59810	15	23
124465-66400	17	26
124550-01300	1	41
124550-01900	1	23
124550-21600	6	41
124550-35110	8	14
	28	11
124550-51301	13	17
124550-51320	13	19
124550-51340	13	20
124550-51341	13	21
124550-51350	13	22
	27	39
124550-51370	13	37
124550-51950	1	69
124550-51951	1	69 -1
124550-59820	8	32
124550-61600	17	7
124550-66370	17	19
124550-66420	17	18 -1
124750-01331	1	42
	28	3
	29	6
124750-22090	7	1
124750-42350	11	10
124766-59050	1	79 -1
124770-01861	2	11
	27	9
124770-03200	1	66
124770-03600	3	60
124770-03610	3	62
124770-03680	3	63
124770-03690	3	65
124770-03710	3	75
124770-03720	3	87
124770-07210	1	56
124770-07230	1	81
124770-08110	1	82

Parts No.	Fig. No.	Ref. No.
124770-08120	1	83
124770-08340	1	89
124770-08910	1	91
124770-09010	2	32
124770-09100	2	36
124770-09140	2	39
124770-09150	2	37
124770-09200	2	38
124770-09250	2	34
124770-11340	3	14
124770-11420	3	39
124770-11650	3	32
124770-11670	3	88
124770-11770	3	77
	4	8
124770-12500	4	1
124770-12530	4	3
124770-12540	4	2
124770-13130	4	51
	28	7
	29	10
124770-13150	4	33
		64
124770-13170	4	30
		35
	28	9
124770-13180	4	29
	28	8
124770-13550	4	74
124770-13690	4	46
		57
124770-21590	6	38
124770-21591	6	38 -1
124770-34710	8	39
124770-34720	8	40
124770-34730	8	41
	27	22
124770-34750	8	42
124770-34800	8	37
124770-42030	9	5
	10	5
124770-49020	12	2
124770-49040	4	59
124770-49050	4	79
124770-49060	12	5
124770-49100	4	75
124770-49110	4	76
124770-49190	12	30
124770-49200	12	42
	28	14

Parts No. Index

Parts No.	Fig. No.	Ref. No.
124770-49310	12	10
124770-51100	13	7
124770-52100	2	17
124770-52110	2	18
124770-52120	2	21
124770-52150	2	23
124770-52180	2	25
124770-53000	14	3
	28	20
124770-59160	15	56
124770-59600	15	82
124770-59610	15	83
124770-61110	17	2
124770-66510	17	23
124770-66700	17	42
124770-66711	17	43
124770-66720	17	45
124770-66731	17	44
124770-66740	17	73
124770-76010	18	6
124770-76100	18	19
124770-76170	18	27
124770-76180	18	16
124770-76200	18	3
124770-76280	18	9
124770-76300	18	12
124770-77010	19	1
	31	1
124770-77081	19	24
	27	33
124770-77250	19	12
124770-77330	19	13
124770-77940	20	24
124770-77950	20	25
124770-77960	20	26
124770-77980	20	23
124770-82031	22	17
	27	34
	29	14
124770-82810	22	29
124770-82900	22	5
124770-83030	24	1
124770-83210	23	23
124770-83300	23	25
124770-83330	23	27
124770-83520	23	60
124770-83530	24	13
124770-85400	24	46
124770-91000	20	1
124770-91010	20	3

Parts No.	Fig. No.	Ref. No.
124770-91030	20	14
124770-91040	20	11
	21	11
		12
	28	19
124770-91100	2	46
	20	36
124770-91160	2	47
	20	37
124770-91161	2	47 -1
	20	37 -1
124770-91200	20	4
	21	3
124770-91220	20	6
124770-91230	20	7
	21	4
124770-91250	20	8
124770-91260	20	10
124770-91270	20	13
124770-91290	20	9
124770-91500	20	40
124770-92690	26	13
124772-01330	1	42 -1
	28	3 -1
	29	6 -1
124772-01400	1	28
124772-01600	1	58
124772-01610	1	62
	27	23
124772-01850	2	10
124772-03100	1	78 -1
124772-07300	2	14
124772-09150	2	37 -1
124772-11120	3	9
124772-11250	3	43
124772-13160	4	27
124772-13410	4	21
124772-21650	6	10
124772-21651	6	10 -1
124772-35060	8	11
124772-39950	8	51
124772-42130	9	5 -1
124772-42780	19	4
124772-52100	2	17 -1
124772-52120	2	21 -1
124772-59500	15	76
124772-59650	15	68
124772-59660	15	69
124772-59670	15	70
124772-59810	15	21

Parts No.	Fig. No.	Ref. No.
124772-59820	15	25
124772-66010	17	32
124772-66090	17	61
124772-66200	17	56
124772-66210	17	57
124772-66220	17	58
124772-66700	17	48
124772-66710	17	49
124772-66720	17	51
124772-66730	17	50
124772-66740	17	74
124772-66750	17	54
124772-66760	17	52
124772-66800	17	68
124772-66810	17	69
124772-66820	17	70
124772-66830	17	70 -1
		71
124772-66840	17	71 -1
124772-66890	17	62
124772-67110	16	20
	17	97
124772-77350	19	4 -1
	28	21
124772-77810	19	18
124772-77920	20	22 -1
124772-77921	20	22 -2
124772-85910	24	55
124772-86100	16	1
	22	41
124790-01600	1	59
124790-01601	1	58 -1
		59 -1
124790-01870	2	28
124790-07300	2	15
124790-08120	1	86
124790-21590	6	39
124790-21591	6	39 -1
124790-21650	6	12
124790-21651	6	12 -1
124790-42050	11	13
124790-42120	11	14
124790-44100	11	65
124790-44400	11	41
124790-44470	11	42
124790-44560	11	68
124790-49010	12	24
124790-49020	12	26
124790-49250	4	38
124790-49260	4	66

Parts No.	Fig. No.	Ref. No.
124790-49290	4	45
124790-49510	12	20
124790-49520	12	21
124790-49530	12	22
124790-49600	11	36
	12	19
124790-49750	11	56
124790-49760	11	57
	27	31
124790-49800	11	60
124790-55800	15	17
124790-55810	15	17 -1
124790-59010	15	41
124790-59030	15	47
124790-59040	15	53
124790-59501	15	78
124790-61110	17	2 -1
124790-61200	17	4 -1
124790-61220	17	3 -1
124790-66010	17	32 -1
124790-66081	17	33
124790-66150	17	30
124790-66200	17	30 -1
		31 -1
124790-66201	17	30 -2
		31 -2
124790-66420	17	29 -1
124790-66460	17	8 -1
124790-66600	17	22 -1
124790-66740	17	75
124790-66950	17	12
124790-76170	18	28
124790-76190	18	31
124790-76200	18	4
124790-76250	18	10
124790-76300	18	13
124790-76310	18	33
124790-77330	19	14
124790-77920	20	22 -3
124790-86100	16	3
	22	43
124790-91000	20	2
124790-91400	20	15
124790-91430	20	16
124790-91440	20	17
		20
124790-91710	20	30
124790-91720	20	31
125110-76800	18	17
125110-84480	23	47

Parts No. Index

Parts No.	Fig. No.	Ref. No.
125110-84480	23	53
125110-84490	23	48
		54
125110-84520	23	50
125310-67260	17	89
125310-67270	17	88
125310-67280	17	82
125310-67290	17	83
134790-49600	3	26
135210-61090	17	21
		67
144626-91570	20	19 -2
144626-91590	20	19 -1
145410-46040	9	25
	10	26
145410-46070	9	14
	10	14
145410-46080	9	16
		18
	10	16
		18
145410-46090	9	20
	10	20
145410-46100	9	21 A
	10	22
145410-46110	9	32
	10	33
	27	26
145410-46120	9	28
	10	29
145410-46130	9	34 -1
172100-53200	14	10
	27	41
173400-11900	3	27
174100-54120	13	16
174307-51170	13	8
174307-51180	13	9
174307-51190	13	10
174307-51250	13	26
174307-51270	13	27
	27	40
174307-51320	13	18
174307-51370	13	24
174307-51380	13	23
174307-51450	13	28
174307-51460	13	29
174307-51510	13	33
174307-51550	13	34
174307-51560	13	35
174307-51700	13	38

Parts No.	Fig. No.	Ref. No.
176000-02201	22	80
176000-02401	24	27
176000-02410	24	29
	27	38
	29	15
176000-02440	24	31
176000-02801	22	30
176000-02811	22	31
176000-02901	22	6
176000-03150	23	20
176000-03201	23	24
176000-03211	23	35
176000-03230	24	7
176000-03300	23	26
176000-03330	23	28
176000-03450	23	33
176000-03461	23	70
176000-03651	24	21
176000-03701	24	38
176000-03721	24	35
176000-03730	24	24
176000-03740	23	49
176000-03860	23	46
176000-03950	23	64
176000-04521	22	35
177080-02720	33	25
177080-02730	33	26
177090-02070	34	12
177090-02120	34	13
177090-02250	34	18
177090-02421	34	23
177090-02451	34	21
177090-02620	33	29
	34	35
177090-02630	33	30
	34	36
177090-02700	34	1
177090-02800	34	10
177090-02970	34	27
177090-03020	34	49
177090-03050	34	56
177090-03060	34	57
177090-03070	34	58
177090-03080	33	72
	34	68
177090-03090	33	73
	34	69
177090-03100	34	64
177090-03110	33	69
	34	65

Parts No.	Fig. No.	Ref. No.
177090-03121	33	71
	34	67
177090-03130	34	70
177090-03140	34	71
177090-03180	33	64
	34	59
177090-03210	34	60
177090-03230	33	59
	34	53
177090-03270	33	75
	34	72
177090-03300	34	61
177090-03310	34	63
177090-03320	34	80
177090-03391	34	87
177090-03400	34	88
177090-03500	34	47
177090-03600	34	62
177090-03610	34	81
177090-03750	34	48
177090-03760	34	73
177090-03800	34	83
177090-03810	34	84
177090-03820	34	85
177090-03920	34	90
177090-04400	34	109
177090-06010	34	20
177090-06300	34	38
177090-07400	34	103
177090-07410	34	107
177090-09010	35	1
177090-09100	35	9
177090-09130	35	13
177090-09140	35	14
177090-09150	35	16
177090-09160	35	18
177091-02710	34	2
177091-02720	34	31
177091-02730	34	32
177095-02250	34	17
177095-02310	34	19
177095-02400	33	19
	34	25
177095-02960	34	26
177095-02980	33	22
	34	28
177095-03030	33	57
	34	51
177095-03040	33	58
	34	52

Parts No.	Fig. No.	Ref. No.
177095-03150	34	77
177095-03190	33	60
	34	54
177095-03200	33	37
		61
	34	43
		55
177095-03210	33	65
177095-03240	34	74
177095-03280	33	70
	34	66
177095-03800	33	76
	34	75
177095-03900	33	77
	34	76
177095-04120	34	111
177095-06030	33	34
	34	40
177095-06040	33	39
	34	45
177095-06050	33	35
	34	41
177095-06060	33	38
	34	44
177095-06070	33	31
	34	37
177095-06140	33	36
	34	42
177095-09020	35	2
177095-09060	35	3
177095-09070	35	6
177095-09080	35	7
177095-09090	35	8
177095-09110	35	11
177095-09170	35	5
177099-02081	33	6
177099-02091	33	7
177099-02110	33	1
177099-02120	33	2
177099-02130	33	3
	34	3
177099-02250	33	13
177099-02421	33	17
177099-02450	33	15
177099-02950	33	20
177099-02960	33	21
177099-03011	33	42
177099-03021	33	50
177099-03040	33	55
177099-03070	33	62

Parts No. Index

Parts No.	Fig. No.	Ref. No.
177099-03080	33	63
177099-03101	33	66
177099-03111	33	68
177099-03161	33	74
177099-03301	33	45
177099-03311	33	46
177099-03321	33	48
177099-03411	33	43
177099-03431	33	67
177099-03470	33	78
177099-03500	33	41
177099-03540	33	53
177099-03550	33	52
177099-03900	33	49
177099-03901	33	49 -1
177099-03920	33	44
		54
177099-03980	33	46 -1
177099-06010	33	14
177099-06041	33	32
177099-06050	33	12
		33
		39
177099-09010	35	10
177099-09020	35	15
177099-09030	35	12
177099-09040	35	4
189040-01860	1	55
22113-040000	17	13
	20	34
22113-050000	17	59
22113-080000	1	54
22113-100000	22	26
22117-060000	17	6
22117-080000	22	75
22117-100000	22	15
		25
22133-100000	34	9
22137-050000	17	46
22137-060000	1	77
	3	70
	11	17
		59
	18	30
22137-080000	2	9
		45
	3	68
	4	12
	8	36
	11	23

Parts No.	Fig. No.	Ref. No.
22137-080000	11	63
	19	11
	20	28
22137-100000	1	64
	18	20
		26
22137-120000	1	93
22157-080000	11	24
22212-040000	20	35
	31	37
22212-050000	17	102
	19	17
22212-060000	3	69
		81
	4	5
		44
		47
	8	12
	11	18
		45
		41
	12	20
	15	75
		15
	16	40
	17	100
	18	29
	19	22
	22	45
		82
22212-080000	1	31
		72
	2	8
		27
		44
	3	38
	8	6
		44
	11	25
		64
	18	35
	19	9
22212-100000	1	65
	18	21
		25
	22	24
		33
22212-120000	1	85
	6	47
22217-040000	20	35 -1

Parts No.	Fig. No.	Ref. No.
22217-040000	31	37 -1
22217-050000	17	102 -1
22217-060000	3	69 -1
		81 -1
	4	5 -1
		44 -1
	8	47 -1
	11	12 -1
		18 -1
		45 -1
	12	41 -1
	15	20 -1
		20 -2
		75 -1
	16	15 -1
	17	40 -1
		100 -1
	18	29 -1
	22	45 -1
		82 -1
22217-080000	1	31 -1
		72 -1
	2	8 -1
		27 -1
		44 -1
	3	38 -1
	8	44 -1
	11	25 -1
		64 -1
	18	35 -1
	19	9 -1
22217-100000	1	21
		65 -1
	6	34
		34 -1
	18	21 -1
		25 -1
	22	24 -1
		33 -1
22217-120000	1	85 -1
		92
	6	47 -1
22242-000150	9	7
	10	7
22242-000170	9	8
	10	8
22242-000180	22	60
22242-000200	2	20
22242-000250	18	11
22242-000300	24	19

Parts No.	Fig. No.	Ref. No.
22252-000100	8	24
22252-000350	9	9
	10	9
22252-000400	9	10
	10	10
22252-000470	2	22
22252-000520	18	14
22252-000550	23	36
22272-000040	17	47
		53
		72
22272-000070	16	6
	22	40
22287-080000	33	10
22287-100000	33	5
		28
	34	4
		16
		34
22312-030080	9	37
	10	34
22312-040100	1	32
	9	38
	10	35
22312-040120	22	64
22312-060140	6	26
		31
22312-080160	1	24
22312-080180	22	51
	23	11
22312-100180	23	12
22312-100200	35	17
22312-100500	18	5
22322-030180	17	16
22322-030220	8	4
	22	52
22322-040300	17	87
22322-040400	23	42
22332-080220	22	27
22351-030020	2	40
22351-040012	8	5
22351-060014	3	16
22351-060032	22	54
22352-040012	33	11
22360-060000	17	37
22360-080000	3	67
22411-200200	17	5
		5 -2
		34
22411-300250	23	74

Parts No. Index

Parts No.	Fig. No.	Ref. No.
22411-300250	29	16
22414-160100	17	14
		60
22417-200200	17	5 -1
		5 -3
		34 -1
22451-100000	17	20
		66
	23	18
		31
	29	17
	34	106
22512-050180	22	57
22512-070180	5	4
22512-070240	6	5
22512-070260	23	62
22512-070280	6	6
22512-070300	24	25
22512-100260	24	15
22512-100360	6	7
22522-030100	8	7
22522-040130	23	72
22522-050160	22	58
22714-580250	12	54
22724-800380	20	39
23000-020000	12	68
23000-022000	12	3
23000-025000	4	62
		78
	12	4
		28
		55
23000-035000	4	49
		63
	12	29
23000-041000	12	23
23000-070000	4	71
23010-012000	8	52
23010-013000	11	69
23010-017000	11	39 -1
23061-070300	12	47
23061-070500	4	23
23061-070650	11	34 -1
23061-070700	11	34
23061-100500	4	24
	11	38
23061-120600	11	38 -1
23065-090620	1	78
23072-204000	4	70
23093-191000	4	48

Parts No.	Fig. No.	Ref. No.
23112-140000	4	77
23414-060000	17	35
	27	42
23414-080000	1	68
	2	13
	8	31
	15	71
		81
	17	63
	22	86
	27	43
	34	101
23414-100000	8	30
	22	11
	27	44
23414-120000	1	6
		6 -1
	15	60
		64
	27	45
	34	30
23414-140000	8	53
	12	46
	27	46
23414-160000	1	49
	15	66
	22	10
	27	47
	33	24
	34	105
23414-160021	33	16
23414-180000	15	65
23414-180023	1	95
23414-200000	34	110
23414-250000	3	31
	11	51
	12	15
	27	48
23418-060000	15	13
23418-270035	34	22
23851-100006	34	104
23857-060000	15	61
23857-100000	15	63
23857-120000	15	62
23871-020000	2	35
23872-020000	2	35 -1
23873-010000	22	12
23873-020000	1	50
23883-100002	1	25 -1
23883-160002	1	48 -1

Parts No.	Fig. No.	Ref. No.
23883-160002	22	8
23883-180000	1	94
23884-120002	34	29
23884-160002	1	48
	33	23
23887-100002	1	25
23897-020002	1	5
24101-060064	23	37
24101-062024	9	11
	10	11
24101-062034	9	12
	10	12
24101-062044	2	19
24101-062054	23	63
24101-062064	5	8
	24	34
24104-062054	18	8
	23	32
24141-302050	34	82
24141-302060	34	79
24141-302070	34	78
24141-302080	34	89
24190-100001	8	19
24211-025002	23	66
24231-025000	23	68
24311-000070	3	73
	17	17
24311-000090	8	38
24311-000120	15	16
24311-000140	3	85
	29	3
24311-000180	22	55
	24	12
24311-000200	22	56
24311-000950	11	43
24321-000300	33	51
24321-000350	1	35
	3	58 -1
	24	36
24341-000150	33	47
24341-000380	34	86
24341-000440	15	10 -2
24764-010000	18	15
25210-430670	18	18
26113-040102	12	63
26113-040259	20	32
26113-050128	3	76
	17	54 A
26113-060102	9	36 -1
26113-060169	9	36

Parts No.	Fig. No.	Ref. No.
26113-060169	10	40
26113-060259	10	42
26113-080222	4	31
		37
26113-080282	4	36
		65
26113-080302	1	53
26113-100302	22	20
26113-100352	22	21
26114-100222	22	9
26116-060086	17	65
26116-060102	34	100
26116-060122	1	75
	11	11
26116-060129	22	44
26116-060142	3	80
	8	46
26116-060152	15	19
26116-060162	1	76
26116-060182	4	40
26116-060252	4	43
26116-060352	4	67
	11	16
26116-060402	15	19 -1
26116-060502	12	40
26116-060602	11	58
26116-080142	3	35
	19	19
26116-080162	1	30
26116-080202	2	12
	11	61
	22	36
		74
26116-080206	23	13
26116-080222	1	71
	3	34
	19	6
26116-080252	2	26
	3	37
	11	62
	33	40
	34	46
26116-080302	19	7
	22	69
26116-080352	1	36
	22	68
26116-080402	3	36
	11	20
26116-080452	11	21
26116-080552	22	70

Parts No. Index

Parts No.	Fig. No.	Ref. No.
26116-080652	11	22
26116-080702	22	71
26116-080852	22	73
26116-080902	18	34
	22	72
26116-081052	2	7
26116-100152	34	108
26116-100222	24	32
26116-100252	1	20
	6	33
	22	32
26116-100282	34	33
26116-100302	22	18
	33	4
		27
26116-100322	24	42
26116-100352	22	19
26116-100382	1	63
26116-100501	6	25
		30
26116-120302	1	84
26117-060109	15	34
		84
26117-060129	17	39 -1
		99
	18	7
		32
	22	81
26117-060149	4	4
26117-060169	11	31
	15	39
	16	13
26117-060209	15	74
26117-060229	8	9
26117-060359	12	39
26117-080129	20	27
26117-080149	8	43
26213-081002	3	19
26216-080182	2	3
26216-080222	1	13
	33	8
26216-080502	3	17 A
26216-080602	3	17
26216-100252	22	22
26223-100252	34	5
26226-060182	11	28
26226-080502	2	42
26226-080652	2	41
26226-100202	22	14
26226-100222	22	13

Parts No.	Fig. No.	Ref. No.
26226-100252	34	6
		14
26226-100382	18	23
26226-120252	1	60
26450-080222	34	11
		102
26450-080282	24	53
26450-100302	24	54
26554-040062	10	44
26554-040082	9	35 -1
26554-040102	9	22
	10	23
26554-040122	9	35
	10	39
26554-040222	10	41
26554-050082	9	23
	10	24
26557-040082	32	39
26557-040122	31	36
26557-040182	30	31
26557-050082	19	21
26557-050102	17	101
	30	41
26557-050162	19	16
	30	27
26557-050362	30	22
26557-060082	2	29
	15	33
	17	39
26557-060102	2	16
26557-080102	8	35
26584-080452	17	81
26584-080552	17	80
26587-080122	5	9
26620-120002	1	57
26667-080002	17	64
26668-080002	22	85
26713-040002	20	33
26713-080002	3	20
26713-100002	34	7
26716-060002	11	44
	16	14
26716-080002	1	14
	2	4
		43
	3	18
	4	11
	8	8
	15	18
	19	8

Parts No.	Fig. No.	Ref. No.
26716-080002	33	9
26716-100002	18	24
	22	16
		23
	24	43
	34	8
		15
26716-120002	1	61
	26	12 -1
26716-160002	26	5 -1
26717-120002	26	12
26717-160002	26	5
		6
26736-100002	18	22
	24	48
26753-050002	17	55
26756-050002	3	72
	17	36
26756-080002	3	52
	22	28
		37
		84
	24	45
26756-100002	17	76 -1
26756-160002	26	6 -1
26757-060002	3	66
26757-100002	17	76
26776-200002	24	22
26887-120002	23	73
27210-200300	3	28
	11	48
	12	13
	28	16
27231-400000	1	12
27233-400000	1	12 -1
28110-100130	25	3
28110-170190	25	4
28110-220240	25	5
28210-000031	26	16
28210-000070	26	17
28210-000150	25	6
28312-150750	26	18
41701-000201	17	78
41701-000221	17	79
41701-000241	17	84
41701-000260	17	85
41701-000281	17	86
41701-000361	17	90
41701-000430	17	92
41701-000440	17	93

Parts No.	Fig. No.	Ref. No.
41701-000450	17	94
41701-000460	17	95
41701-000470	17	96
41701-001240	17	91
41710-000380	16	17
41710-000400	16	10
41710-000410	16	9
41710-000860	16	5
	22	39
41710-500090	16	16
41710-500100	16	18
41710-500110	16	19
41710-500130	16	8
41710-500140	16	11
41710-500160	16	12
43400-500390	15	59
43400-500410	1	15
43600-001200	4	20
	12	44
43600-500011	12	53
43600-500290	4	20 -1
	12	44 -1
43600-500310	11	37 -1
43662-015012	12	51
		58
43662-020021	12	59
46150-001110	20	12
		42
	21	14
46150-003660	19	23
46150-003680	19	23 -1
46150-004530	20	18
	28	18
46150-400590	20	19
48110-028070	24	39
48110-030060	24	40
48110-032411	24	44
48110-034070	24	41
704211-67600	16	7
704211-82500	22	61
704507-92100	25	1
705582-82500	22	65
711100-51540	13	13
721150-51530	13	32
721250-02500	1	18
	6	15
721250-02610	6	22
721250-02620	6	27
721250-11650	3	47
721250-11660	3	49

Parts No. Index

Parts No.	Fig. No.	Ref. No.
721250-11670	3	50
721250-11680	3	48
721250-14580	5	2 -1
721250-21700	6	2
721250-32700	8	2
721370-01540	1	45
721370-01560	1	2
721370-11520	3	54
721370-11521	3	54 -1
721370-11700	3	2
721370-13200	4	54
721370-13300	4	73
721370-13500	4	17
721370-51700	13	3
721370-92500	28	2
721370-92600	27	2
721390-11990	29	2
721390-13200	4	55
721390-42500	10	2
721390-42700	9	2
721390-42701	9	2 -1
721390-43700	11	2
721390-51700	13	4
721390-92600	27	4
724220-55500	15	2
724240-51530	13	31
724450-11650	3	45
724450-11660	3	46
724450-21702	6	1 -1
724450-23100	7	9
724450-32700	8	1
724465-01561	1	1
724465-02500	1	17
	6	14
724465-14580	5	1 -1
724550-21701	6	1
724550-51520	13	11
724750-22500	7	3
	28	10
724770-01450	12	11
724770-01900	1	39
724770-09500	2	31
724770-09550	2	30
724770-13200	4	53
724770-13300	4	72
724770-42500	10	1
724770-42700	9	1
724770-42701	9	1 -1
724770-48100	12	49
724770-51700	13	1

Parts No.	Fig. No.	Ref. No.
724770-53100	14	1
724770-61520	17	1
724770-66530	17	9
724770-76110	18	1
724770-82550	22	1
724770-82551	22	1 -1
724770-83150	23	5
724770-83730	23	1
724770-92210	26	1
724770-92220	26	9
724771-83730	23	3
724772-01500	2	1
724772-01540	1	44
724772-09500	2	31 -1
		31 -2
724772-09550	2	30 -1
		30 -2
724772-11520	3	53
724772-11521	3	53 -1
724772-11700	3	1
724772-13500	4	16
724772-32700	8	1 -1
724772-39500	8	48
724772-92500	28	1
724772-92600	27	1
724790-11990	29	1
724790-22500	7	3 -1
	28	10 -1
724790-22720	7	1 -1
724790-32101	8	1 -2
724790-43700	11	1
724790-44500	11	26
724790-44550	11	46
724790-44560	11	53
724790-51700	13	2
724790-55900	15	17 -2
724790-61520	17	1 -1
724790-66530	17	9 -1
724790-76110	18	2
724790-92600	27	3
776000-02550	22	2
776000-02980	29	13
776000-03570	23	43
776000-03720	23	6
776000-03730	23	2
776001-03730	23	4
777095-04900	34	91
81701-000101	17	77
83211-004013	15	88
83213-003012	15	87

Parts No.	Fig. No.	Ref. No.
977783-00121	10	47
X21141360	31	15
X211416511	31	25
X21141742	31	30
X21142215	32	13
X211423001	31	13
X211426006	31	18
X211427003	31	28
X21142742	31	29
X21143155	32	7
X211441004	31	2
X21144314	31	17
X21144661	31	19
X21144886	31	34
X21145312	31	12
X21145313	31	16
X21145352	31	14
X21146815	31	35
X21147155	31	7
X21147215	31	11
X21148110	31	3
X211482001	31	10
X211484001	31	20
X211485001	31	24
X21148861	31	31
X21201115	32	3
X21201313	32	17
X21201403	32	22
X21201404	32	24
X21201742	32	41
X21201744	32	42
X21201815	32	29
X21201836	32	40
X21202220	32	12
X21202350	32	18
X21202404	32	23
X21202601	32	27
X21203305Y	32	14
X21203750	32	38
X21204302	32	19
X21204401	32	21
X21204610	32	28
X21205312	32	16
X21205550	32	25
X21206605	32	31
X21207100	32	2
X21207311	32	15
X21207810	32	37
X212086001	32	26
X21209400	32	20

Parts No.	Fig. No.	Ref. No.
X6201SD	30	4
X6302B	30	30
XB444001A	30	40
XL135Y1200	30	5
XL135Y1300	30	6
XL135Y1301	30	7
XL135Y1302	30	8
XL135Y1303	30	10
XL135Y1310	30	13
XL135Y1311	30	16
XL135Y13200	30	19
XL135Y1400	30	28
XL135Y1401	30	29
XL135Y1531	30	32
XL135Y1801	30	37
XL135Y1802	30	38
XL135Y1803	30	20
XL135Y1810	30	23
XL135Y1820	30	39
XLR135Y1100	30	2
XMV11305	30	24
XMV11306	30	25