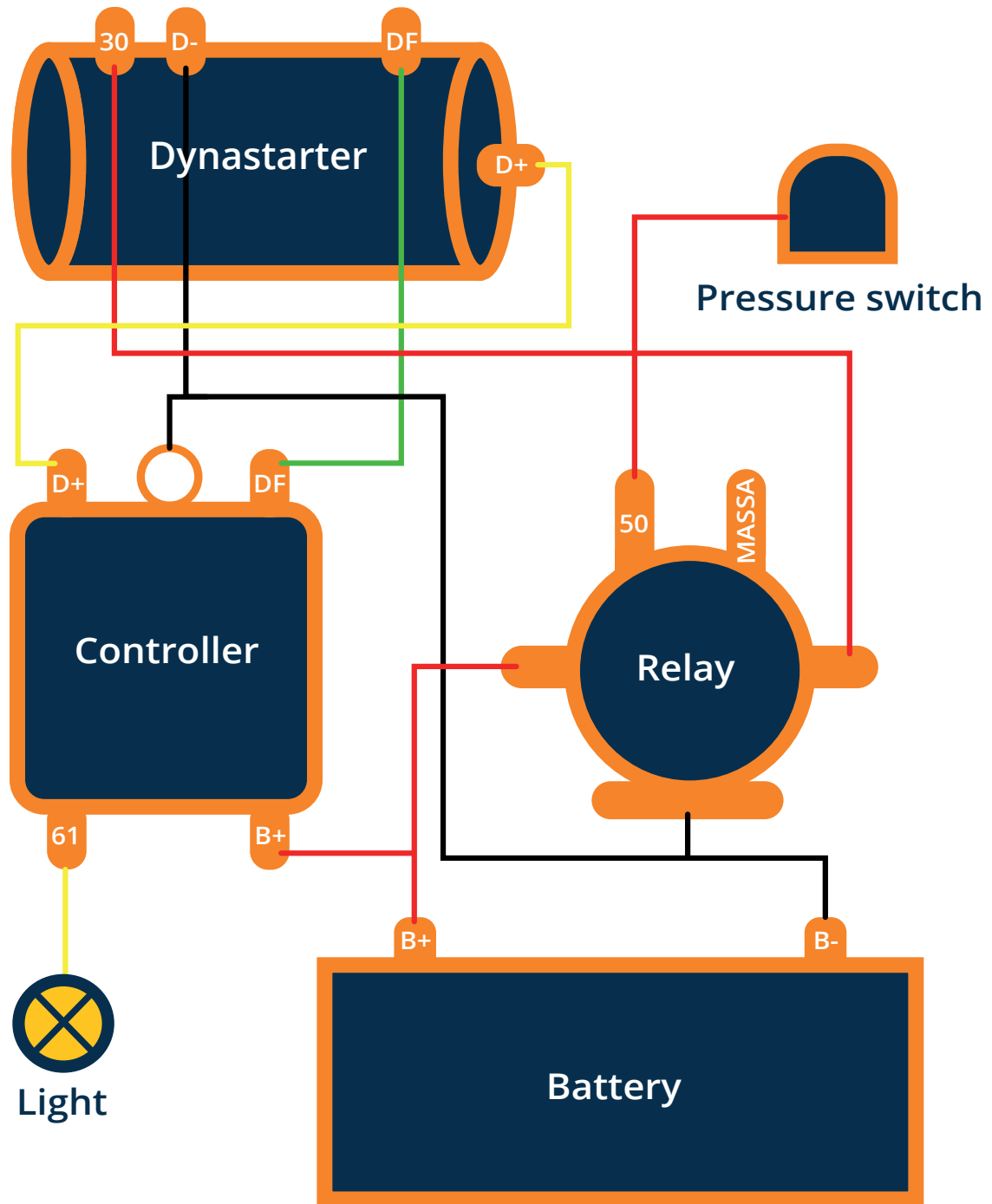




# Linking scheme



Please note: Do not reverse polarity or swap wires with the regulator connected to voltage  
The voltage source for the light and pressure switch are switched from the ignition switch  
Dyna starter works best at high speed. At low speed the light may burn dimly