



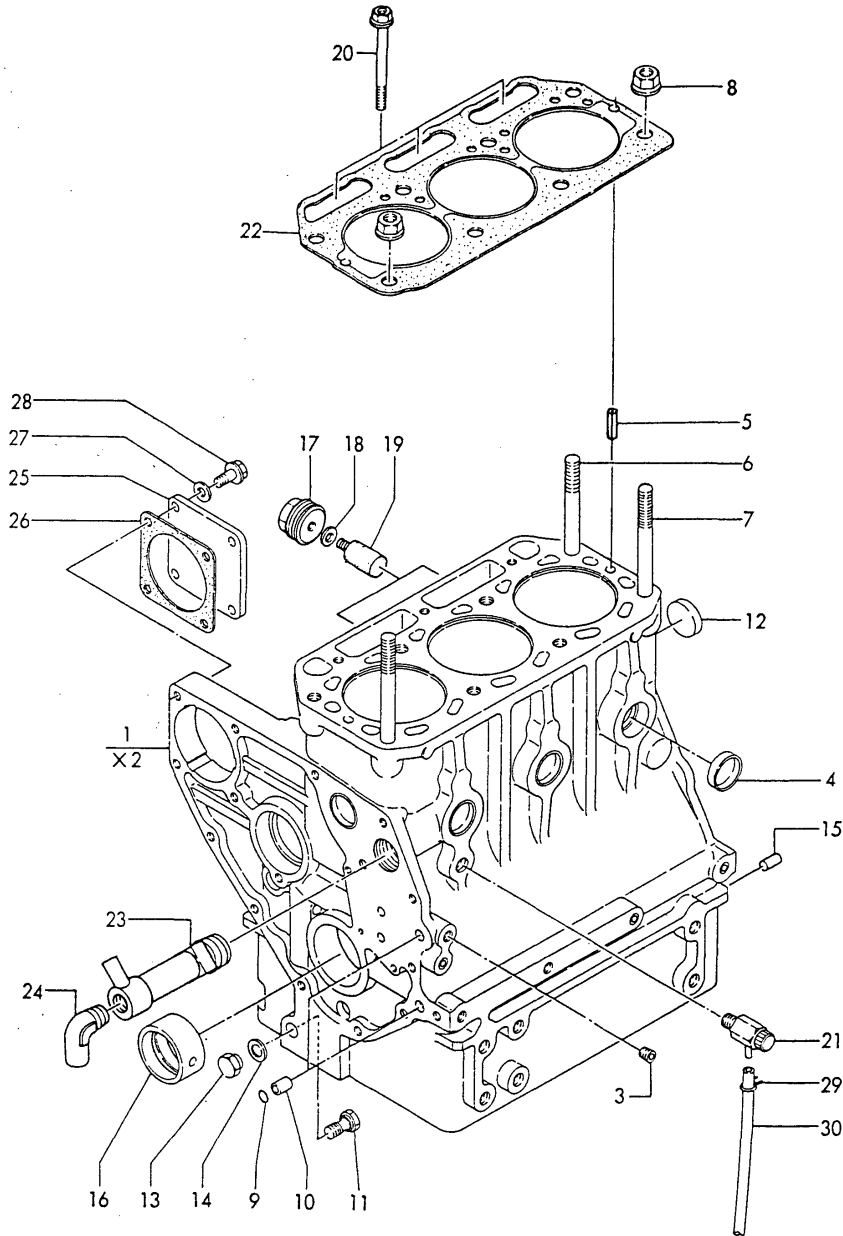
Spare parts catalog- Yanmar engines

(A) = 3HM35
(B) = 3HM35C
(C) = 3HM35F

(A)=3HM35 (D)=
 (B)=3HM35C (E)=
 (C)=3HM35F (F)=

Fig.1.CYLINDER BLOCK

Fig. 1 シリンダブロック
 CYLINDER BLOCK

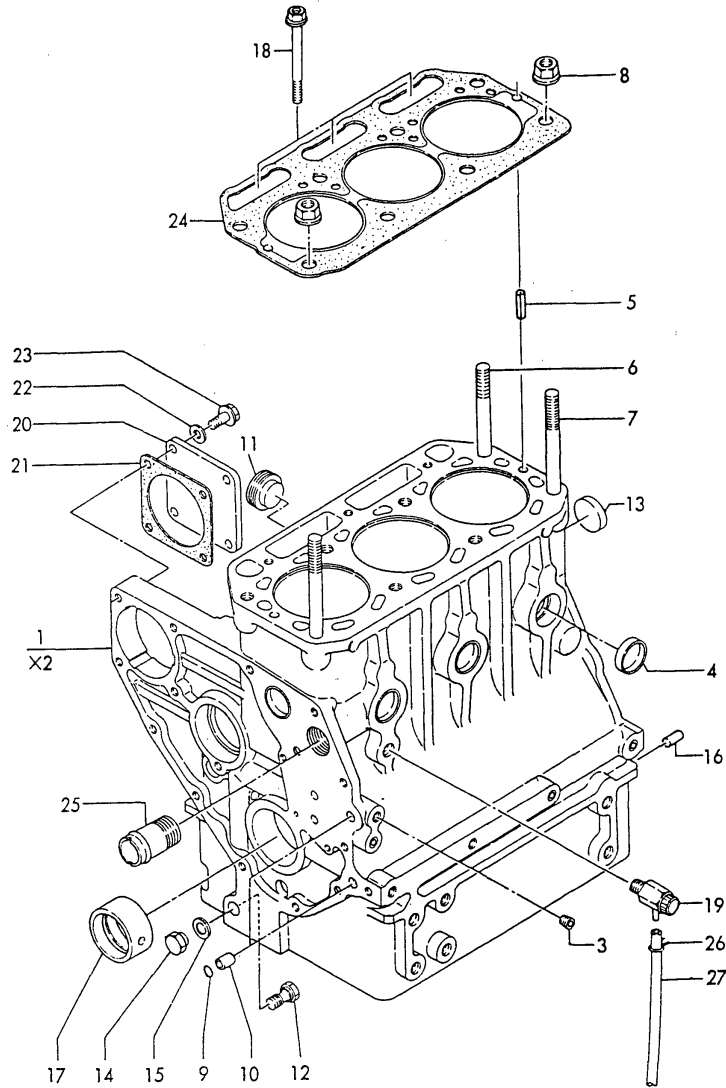


REF.	LEV.	PARTS NO.	DESCRIPTION	QTY						I	R
				(A)	(B)	(C)	(D)	(E)	(F)		
1	1	728671-01560	BLOCK ASSY, CYLINDER	1	1						
3	2	124060-01050	PLUG PT1/8	7	7						
4	2	105311-01090	PLUG 30	5	5						
5	2	22351-060012	SPRING PIN 6X12	2	2						
6	2	121575-01200	BOLT A	6	6						
7	2	121450-01210	STUD B	2	2						
8	2	121450-01220	NUT	8	8						
9	2	24311-000100	O-RING 1A P10.0	2	2						
10	2	124085-01900	GUIDE, O-RING	1	1						
11	2	124500-01950	BOLT, BLIND	1	1						
12	2	27243-300000	PLUG 30	1	1						
13	2	121550-35100	CAP NUT PF1/4	1	1						
14	2	121550-35111	GASKET 18	1	1						
15	2	*REF. 5= 2	PARALLEL PIN 8X16	2	2						
16	2	*REF. 6=15	MAIN BEARING	1	1						
17	2	*REF. 16= 1	PLUG NPTF1	2	2						
18	2	*REF. 16= 2	GASKET, ZINC	2	2						
19	2	*REF. 16= 5	ZINC, ANTI-CORROSIVE	2	2						
20	1	129350-01230	BOLT C	3	3						
21	1	120130-49350	COCK W/VALVE	1	1						
22	1	128671-01330	GASKET, CYL. HEAD	1	1						
23	1	128670-01450	CONNECTOR, BY-PASS	1	1						
24	1	124070-13300	ELBOW PT3/8	1	1						
25	1	124240-01871	COVER, BLIND	1	1						
26	1	124240-01882	GASKET, COVER	1	1						
27	1	23414-080000	GASKET 8	4	4						
28	1	26106-080142	BOLT M 8X14	4	4						
29	1	124460-77680	CLAMP	1	1						
30	1	23061-070200	PIPE 7X200	1	1						

(A)=3HM35 (D)=
 (B)=3HM35C (E)=
 (C)=3HM35F (F)=

Fig.2.CYLINDER BLOCK

Fig. 2 シリンダブロック
 CYLINDER BLOCK

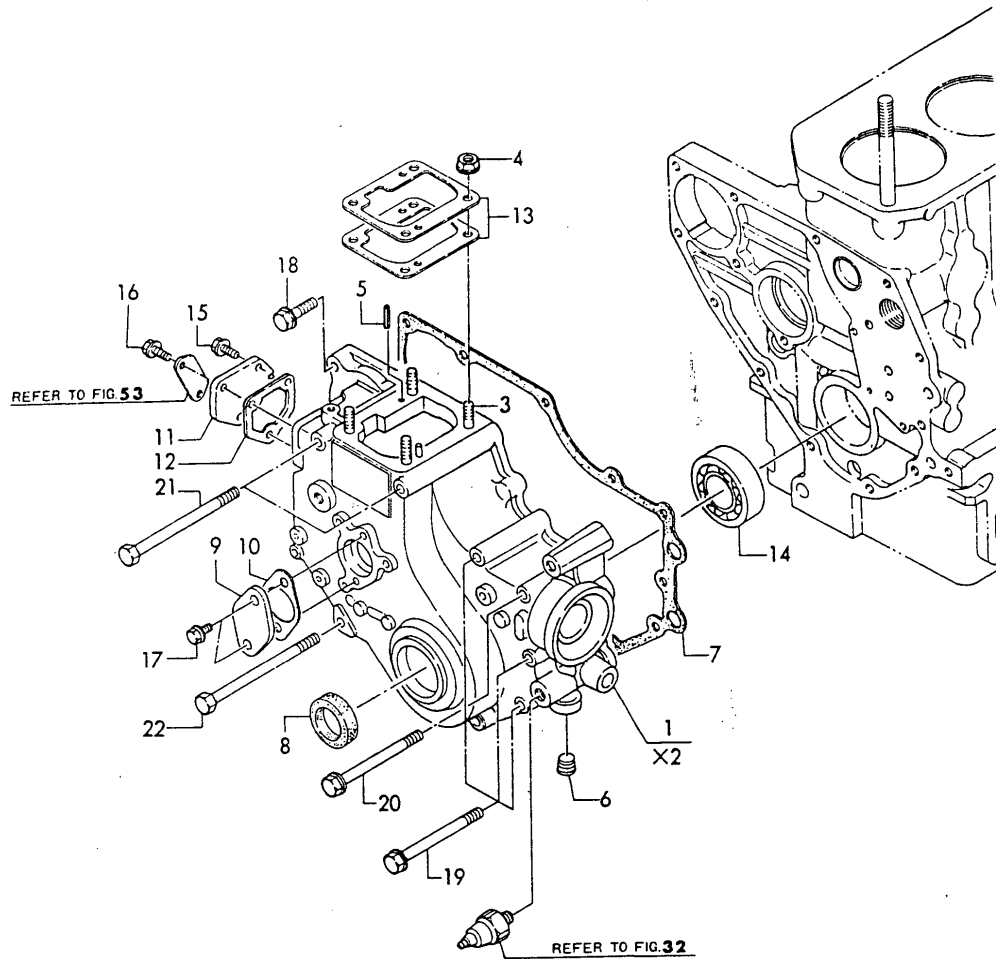


REF.	LEV.	PARTS NO.	DESCRIPTION	QTY						I	R	
				(A)	(B)	(C)	(D)	(E)	(F)			
1	1	728671-01560	BLOCK ASSY, CYLINDER									A
3	2	124060-01050	PLUG PT1/8								7	
4	2	105311-01090	PLUG 30								5	
5	2	22351-060012	SPRING PIN 6.0A								2	
6	2	121575-01200	BOLT A								6	
7	2	121450-01210	STUD B								2	
8	2	121450-01220	NUT								8	
9	2	24311-000100	O-RING 1A P10.0								2	
10	2	124085-01900	GUIDE, O-RING								1	
11	2	171051-01921	PLUG NPTF1								2	
12	2	124500-01950	BOLT, BLIND								1	
13	2	27243-300000	PLUG								1	
14	2	121550-35100	CAP NUT PF1/4								1	
15	2	121550-35111	GASKET 18								1	
16	2	*REF. 5=2	PARALLEL PIN 8X16								2	
17	2	*REF. 6=15	MAINBEARING								1	
18	1	129350-01230	BOLT C								3	
19	1	120130-49350	COCK W/VALVE								1	
20	1	124240-01871	COVER, BLIND								1	
21	1	124240-01882	GASKET								1	
22	1	23414-080000	GASKET 8								4	
23	1	26106-080142	BOLT M 8X14								4	
24	1	128671-01330	GASKET, CYL. HEAD								1	
25	1	124160-49480	JOINT								1	
26	1	124460-77680	CLAMP								1	
27	1	23061-070200	PIPE 7X200								1	

Remarks
 A)CYLINDER BLOCK ASSY OF MODEL 3HM35F
 IS SUPPLIED AS MODEL 3HM35.
 ALTHOUGH COMPONENT PARTS ARE PARTLY
 DIFFERET, BUT INTERCHANGEABLE.

Fig.3.GEARS HOUSING

Fig. 3 ギヤケース
GEARS HOUSING

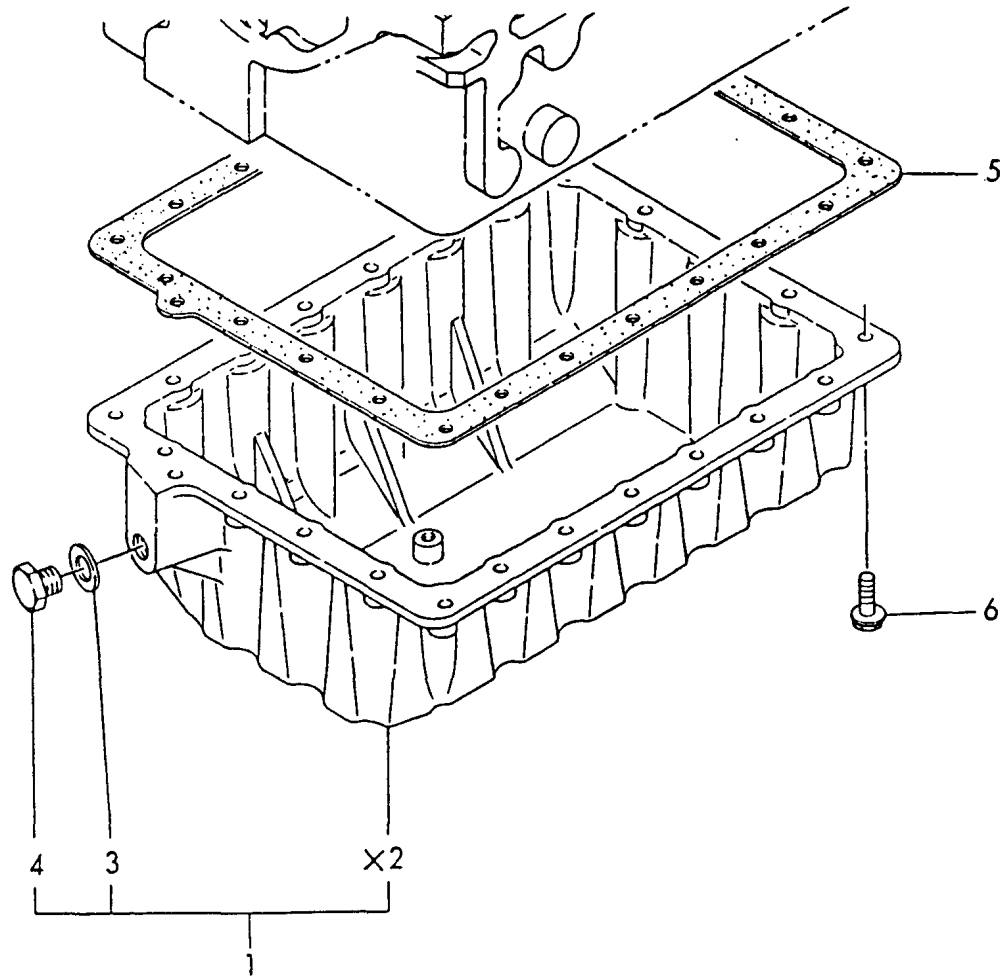


(A)=3HM35 (D)=
(B)=3HM35C (E)=
(C)=3HM35F (F)=

REF.	LEV.	PARTS NO.	DESCRIPTION	QTY						I	R
				(A)	(B)	(C)	(D)	(E)	(F)		
1	1	728370-01610	HOUSING ASSY, GEARS	1	1	1					
3	2	121450-01560	STUD M 8X22	4	4	4					
4	2	26366-080002	NUT M 8	4	4	4					
5	2	22351-040010	SPRING PIN 4X10	2	2	2					
6	2	124060-01050	PLUG PT1/8	1	1	1					
7	1	121575-01510	GASKET, HOUSING	1	1	1					
8	1	121450-01801	OIL SEAL TC25408	1	1	1					
9	1	171016-01550	COVER, BLIND	1	1	1					
10	1	128695-01840	GASKET	1	1	1					
11	1	121000-01850	COVER, SIDE	1	1	1					
12	1	121575-01860	GASKET, COVER	1	1	1					
13	1	121450-01951	SHIM SET	1	1	1					
14	1	24101-063054	BEARING	1	1	1					
15	1	26106-060122	BOLT M 6X 12	1	1	1					
16	1	26106-060142	BOLT M 6X 14	2	2	2					
17	1	26106-060122	BOLT M 6X 12	2	2	2					
18	1	26106-080302	BOLT M 8X 30	2	2	2					
19	1	26106-080852	BOLT M 8X 85	5	5	5					
20	1	26106-080902	BOLT M 8X 90	1	1	1					
21	1	26116-081152	BOLT M 8X115	2	2	2					
22	1	26116-081152	BOLT M 8X115	2	2	2					

Fig.4.LUB.OIL SUMP

Fig. 4 オイルパン
LUB. OIL SUMP



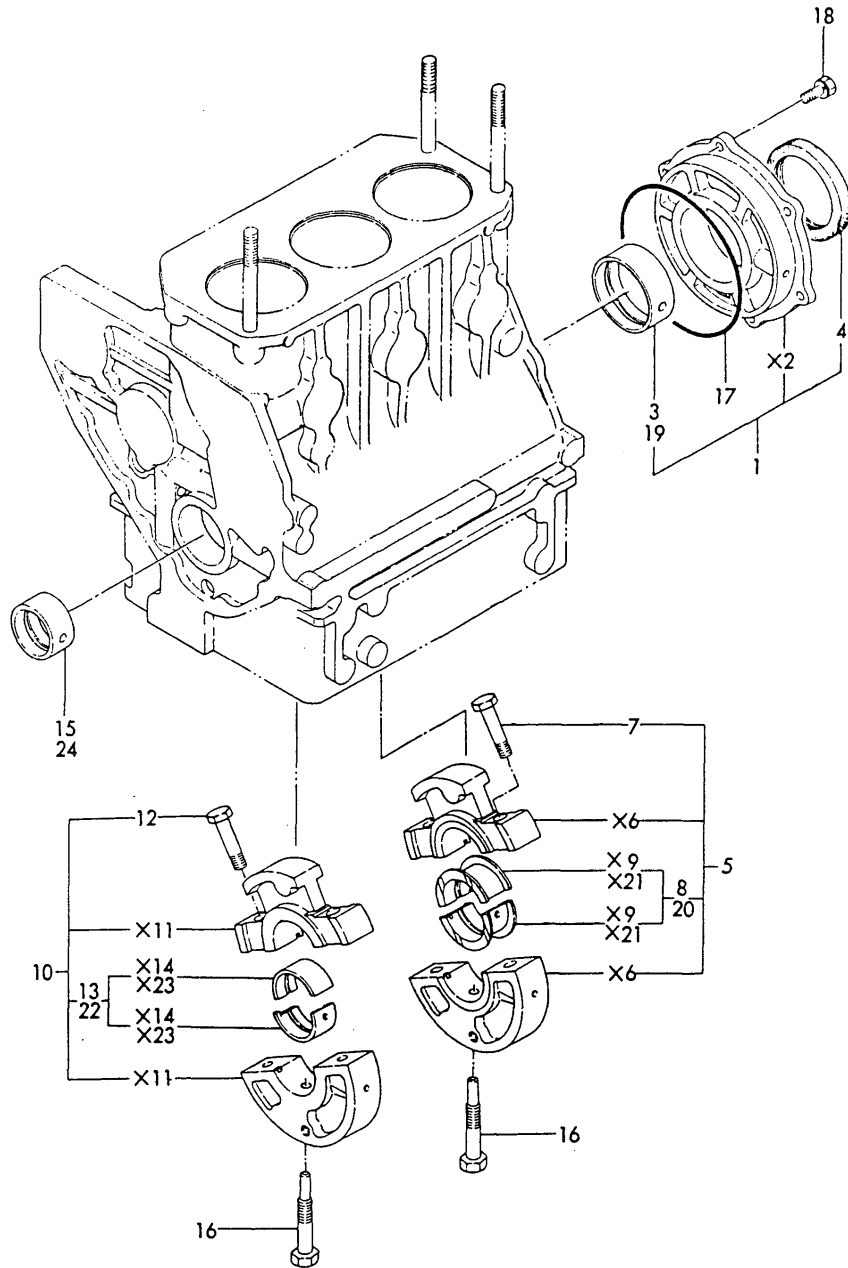
(A)=3HM35 (D)=
(B)=3HM35C (E)=
(C)=3HM35F (F)=

REF.	LEV.	PARTS NO.	DESCRIPTION	QTY						I	R	
				(A)	(B)	(C)	(D)	(E)	(F)			
1	1	721575-01540	SUMP ASSY.,LUB.OIL	1	1	1						
3	2	23414-130000	GASKET 13	1	1	1						
4	2	23893-020002	PLUG PF1/4	1	1	1						
5	1	121575-01750	GASKET,SUMP	1	1	1						
6	1	26106-060222	BOLT M6X22	23	23	23						

Fig.6.MAIN BEARING HOUSING

(A)=3HM35 (D)=
 (B)=3HM35C (E)=
 (C)=3HM35F (F)=

Fig.6 メタルドウ
 MAIN BEARING HOUSING

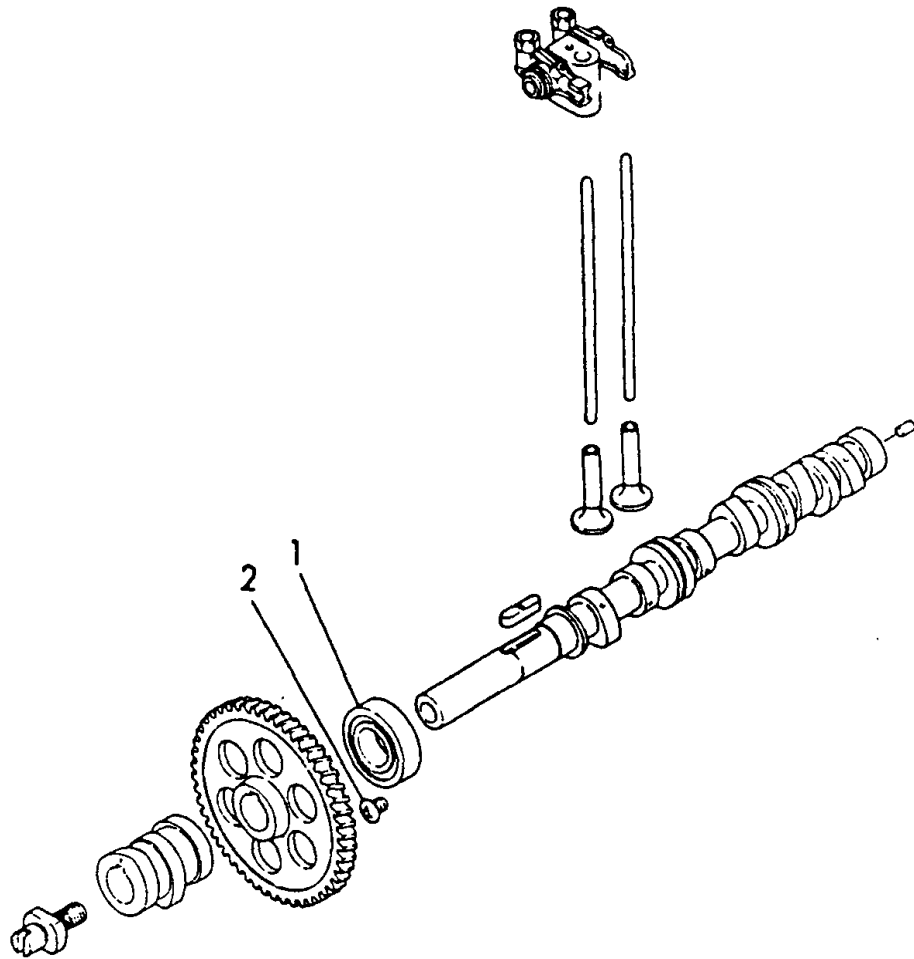


REF.	LEV.	PARTS NO.	DESCRIPTION	QTY						I	R
				(A)	(B)	(C)	(D)	(E)	(F)		
1	1	721550-02500	HOUSING ASSY.	1	1	1					
3	2	121550-02110	MAIN BEARING	1	1	1					
4	2	121551-02220	OIL SEAL,HOUSING	1	1	1					
5	1	721550-02610	HOUSING(1) ASSY.	1	1	1					
7	2	121250-02070	BOLT,HOUSING	2	2	2					
8	2	721550-02800	MAIN BEARING(1)ASSY.	1	1	1					
10	1	721550-02620	HOUSING(2) ASSY.	1	1	1					
12	2	121250-02070	BOLT,HOUSING	2	2	2					
13	2	721550-02810	MAIN BEARING(2)ASSY.	1	1	1					
15	1	121520-02100	MAIN BEARING	1	1	1					
16	1	121550-02300	BOLT,CENTER HOUSING	2	2	2					
17	1	24341-001350	O-RING 1A S135.0	1	1	1					
18	1	26013-080202	BOLT M8X20	6	6	6					
19	1	121550-02320	MAIN BEARING 0.25U.S	1	1	1					
20	1	121550-02330	MAIN BEARING 0.25U.S	1	1	1					
22	1	121550-02350	MAIN BEARING 0.25U.S	1	1	1					
24	1	121520-02310	MAIN BEARING 0.25U.S	1	1	1					

(A)=3HM35 (D)=
 (B)=3HM35C (E)=
 (C)=3HM35F (F)=

Fig.7.CAMSHAFT BEARING

Fig. **7** カムシャフトウケ
 CAMSHAFT BEARING

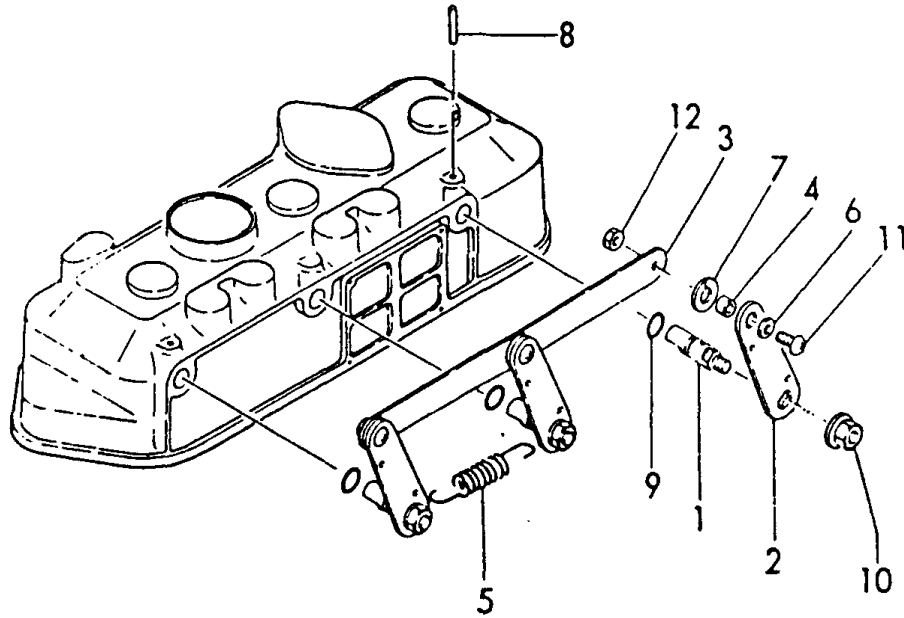


REF.	LEV.	PARTS NO.	DESCRIPTION	QTY						I	R
				(A)	(B)	(C)	(D)	(E)	(F)		
1	1	24101-062054	BEARING	1	1	1					
2	1	26587-080102	SCREW M8X10	1	1	1					

(A)=3HM35 (D)=
 (B)=3HM35C (E)=
 (C)=3HM35F (F)=

Fig.8.DECOMPRESSION

Fig. 8 デコンプ
 DECOMPRESSION

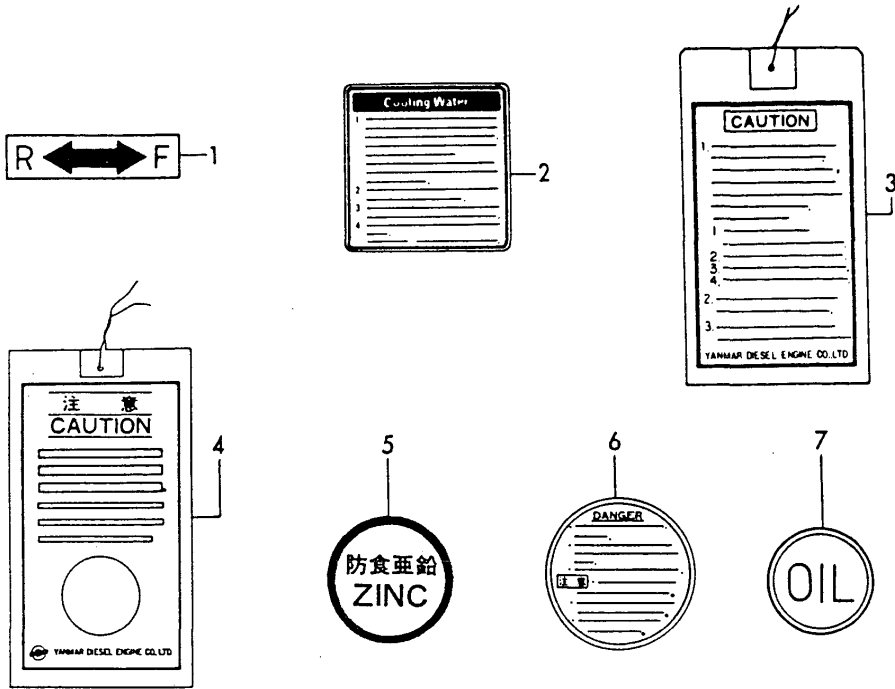


REF.	LEV.	PARTS NO.	DESCRIPTION	QTY						I	R
				(A)	(B)	(C)	(D)	(E)	(F)		
1	2	121450-03610	SHAFT,DECOMP.	3	3	3					
2	2	121462-03740	LEVER(B),DECOMP.	3	3	3					
3	2	121550-03760	CONNECTOR,DECOMP.	1	1	1					
4	2	121575-03770	COLLAR	3	3	3					
5	2	160110-66011	SPRING	1	1	1					
6	2	22117-050000	WASHER 5	3	3	3					
7	2	22287-080000	WASHER 8	3	3	3					
8	2	22312-030220	PARALLEL PIN 3X22	2	2	2					
9	2	24311-000070	O-RING 1A P7.0	3	3	3					
10	2	26366-060002	NUT M6	3	3	3					
11	2	26557-050122	SCREW M5X12	3	3	3					
12	2	26756-050002	LOCK NUT M5	3	3	3					

(A)=3HM35 (D)=
 (B)=3HM35C (E)=
 (C)=3HM35F (F)=

Fig.10.LABELS

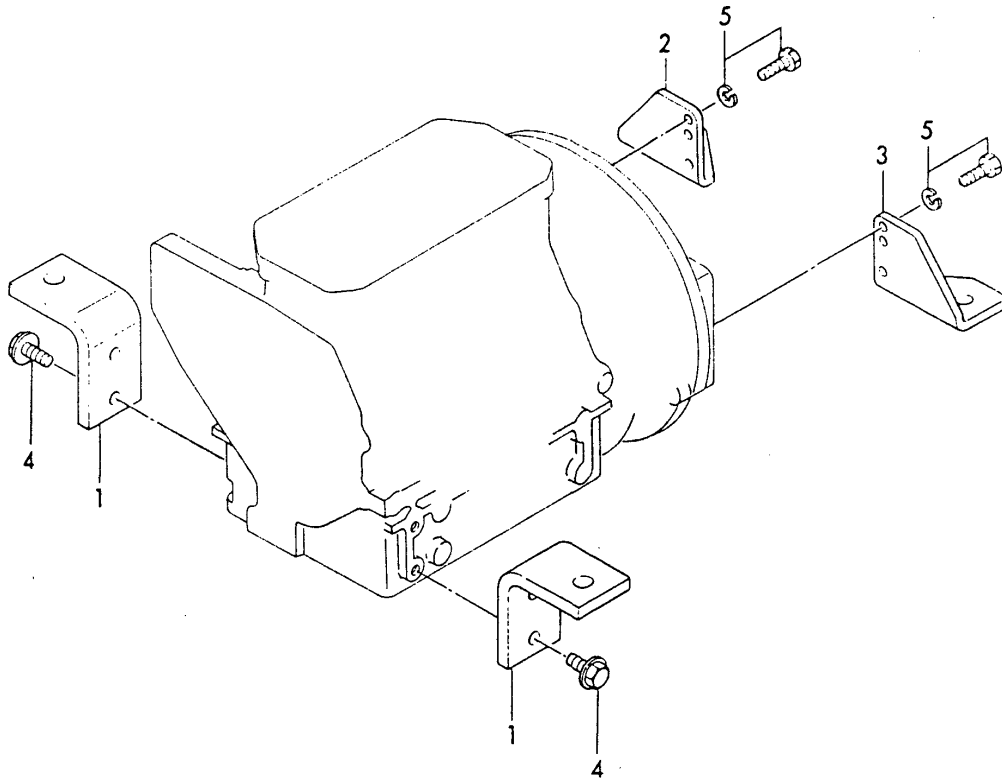
Fig. 10 メイバン LABELS



REF.	LEV.	PARTS NO.	DESCRIPTION	QTY						I	R	
				(A)	(B)	(C)	(D)	(E)	(F)			
1	1	177088-02430	LABEL		1							
2	1	127611-07350	LABEL									1
3	1	126630-07370	LABEL									1
4	1	123682-07850	LABEL, DRAIN COCK									1
5	1	124220-09340	LABEL, ZINC	3	3							
6	1	120445-44620	PLATE									1
7	1	42222-003550	LABEL, OIL		1							1

Fig.13.ENGINE BRACKET

Fig. **13** マウンティングフット
ENGINE BRACKET

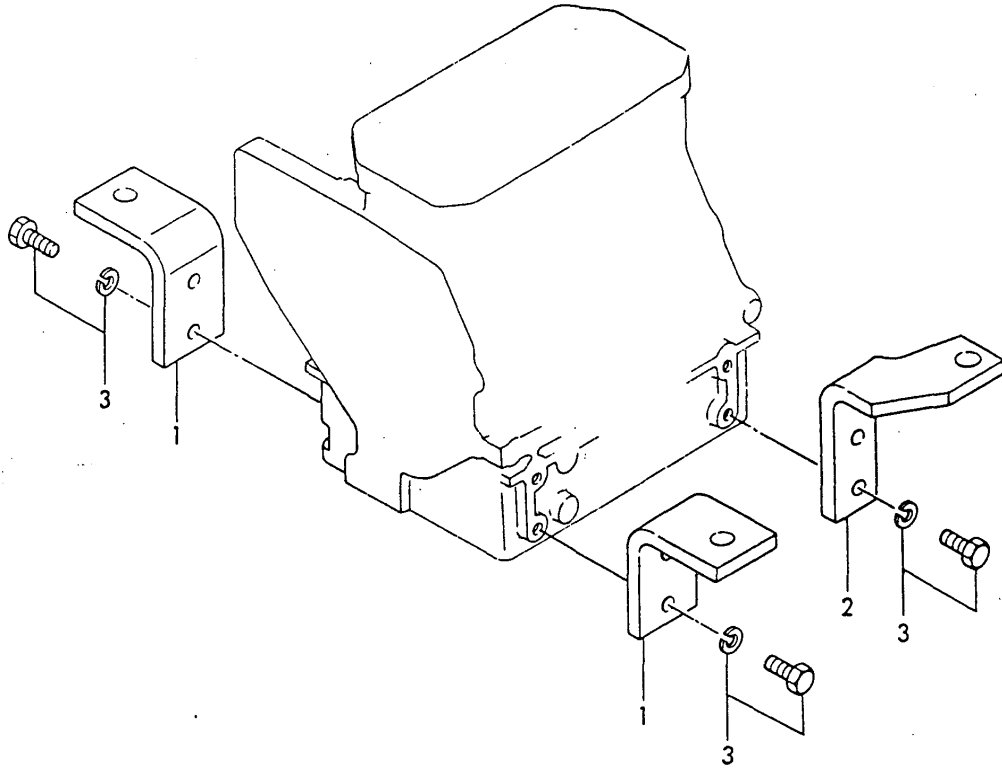


(A)=3HM35 (D)=
(B)=3HM35C (E)=
(C)=3HM35F (F)=

REF.	LEV.	PARTS NO.	DESCRIPTION	QTY						I	R	
				(A)	(B)	(C)	(D)	(E)	(F)			
1	1	128670-08100	BRACKET, ENGINE	2		2						
2	1	128670-08120	BRACKET A, ENGINE	1		1						
3	1	128670-08130	BRACKET B, ENGINE	1		1						
4	1	26013-120302	BOLT M12X30	4		4						
5	1	26106-100282	BOLT M10X28	4		4						

Fig.14.ENGINE BRACKET

Fig. 14 マウンティングフット
ENGINE BRACKET

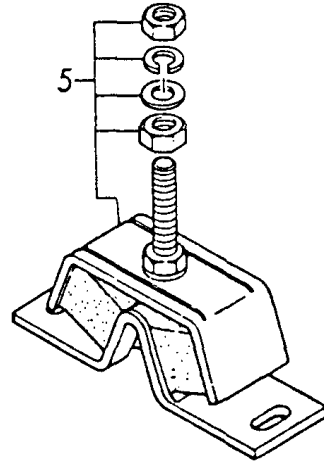
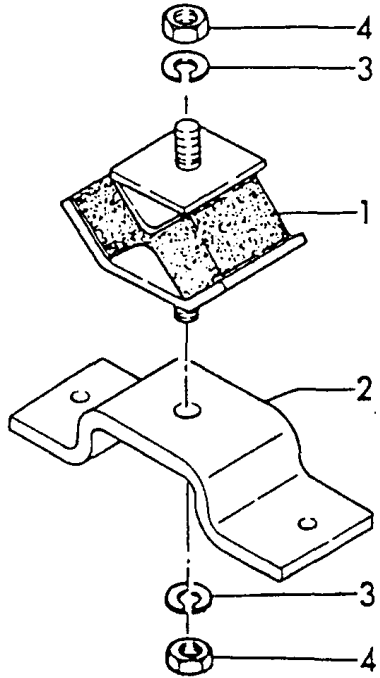


(A)=3HM35 (D)=
(B)=3HM35C (E)=
(C)=3HM35F (F)=

REF.	LEV.	PARTS NO.	DESCRIPTION	QTY						I	R	
				(A)	(B)	(C)	(D)	(E)	(F)			
1	1	128670-08150	BRACKET, ENGINE		2							
2	1	128670-08160	BRACKET, ENGINE		2							
3	1	26013-120302	BOLT M12X30		8							

Fig.15.FLEXIBLE MOUNT

Fig. 15 フレキシブルマウント
FLEXIBLE MOUNT

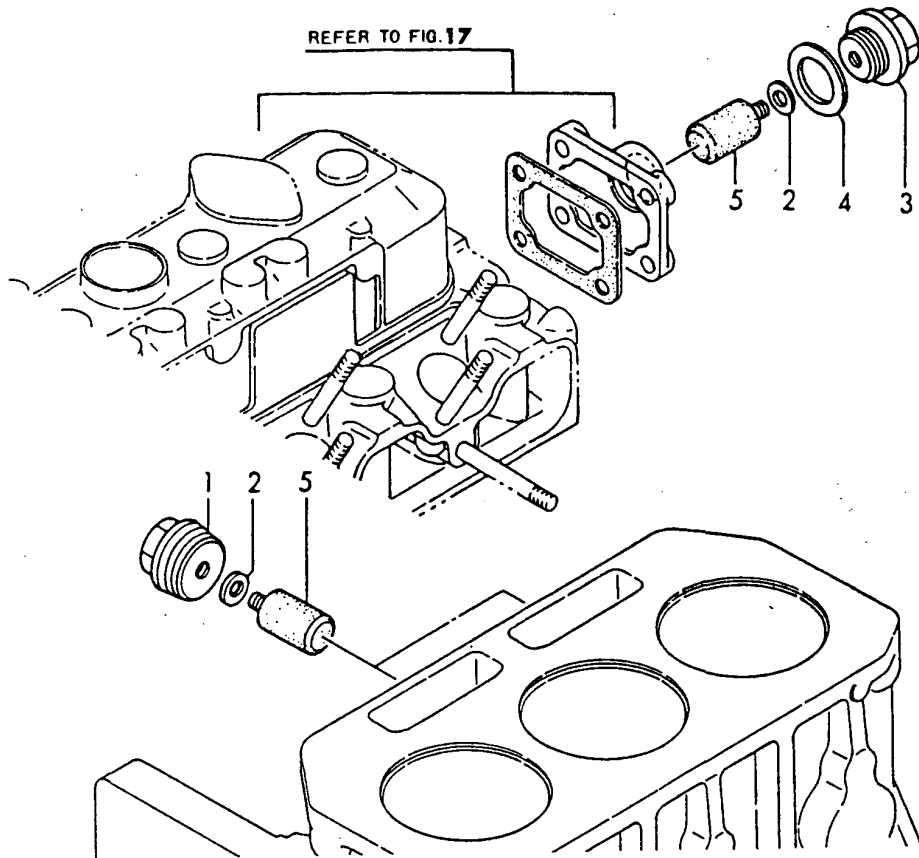


(A)=3HM35 (D)=
(B)=3HM35C (E)=
(C)=3HM35F (F)=

REF.	LEV.	PARTS NO.	DESCRIPTION	QTY						I	R	
				(A)	(B)	(C)	(D)	(E)	(F)			
1	1	196420-02310	MOUNT 230, FLEXIBLE		2							
2	1	128670-08400	BRACKET		2							
3	1	22217-120000	SPRING WASHER 12		4							
4	1	26716-120002	NUT M12		4							
5	1	124772-08341	MOUNT 100, FLEXIBLE	4		4						

Fig.16.ANTI-CORROSIVE ZINC

Fig. 16 ボウシヨクアエン
ANTI-CORROSIVE ZINC

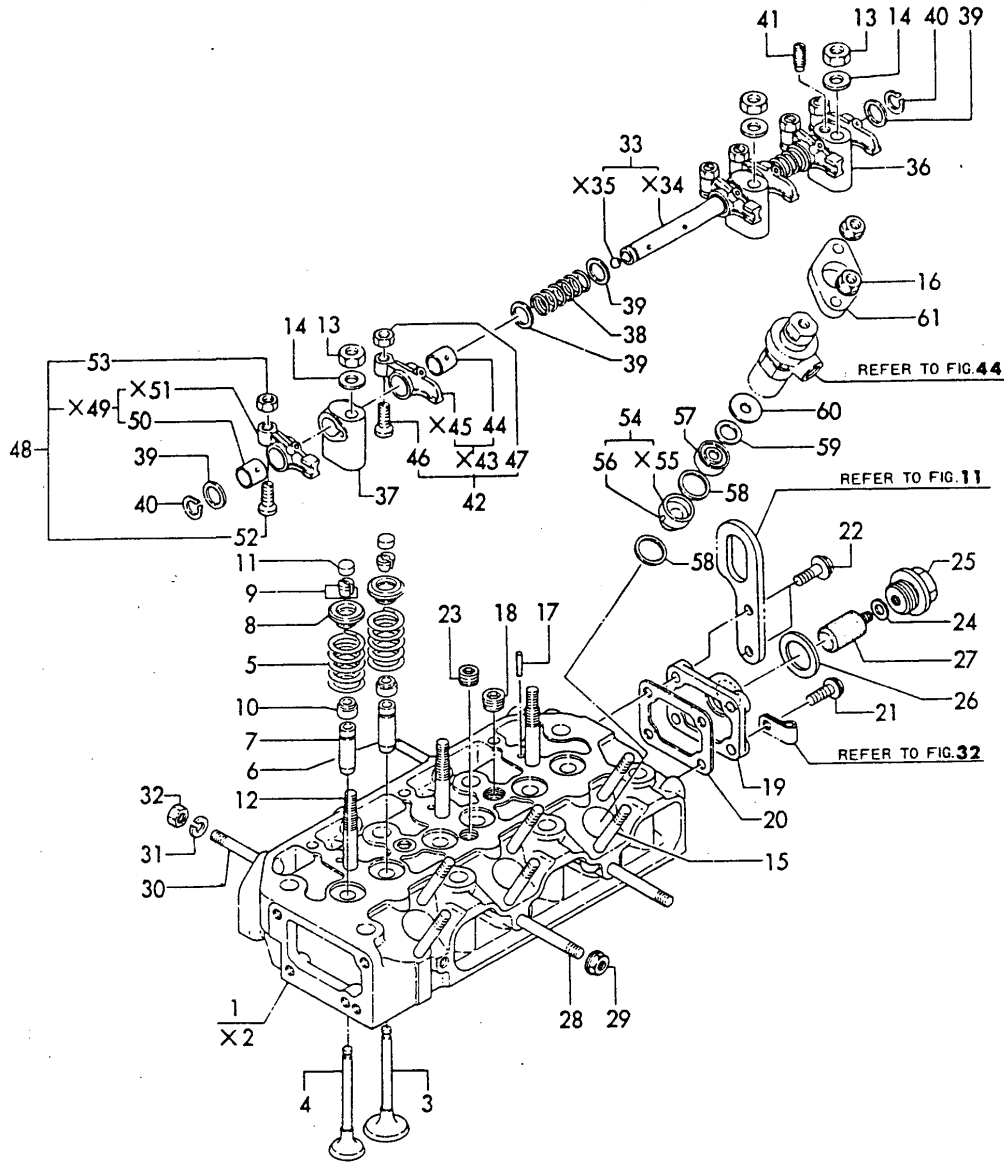


(A)=3HM35 (D)=
(B)=3HM35C (E)=
(C)=3HM35F (F)=

REF.	LEV.	PARTS NO.	DESCRIPTION	----- QTY -----						I R
				(A)	(B)	(C)	(D)	(E)	(F)	
1	2	128270-09300	PLUG NPTF1	2	2					
2	2	123210-09310	GASKET,ZINC	3	3					
3	2	122780-09320	PLUG	1	1					
4	2	23414-250000	GASKET 25	1	1					
5	2	27210-200300	ZINC,ANTI-CORROSIVE	3	3					

Fig.17.CYLINDER HEAD

Fig. 17 シリンダヘッド
CYLINDER HEAD



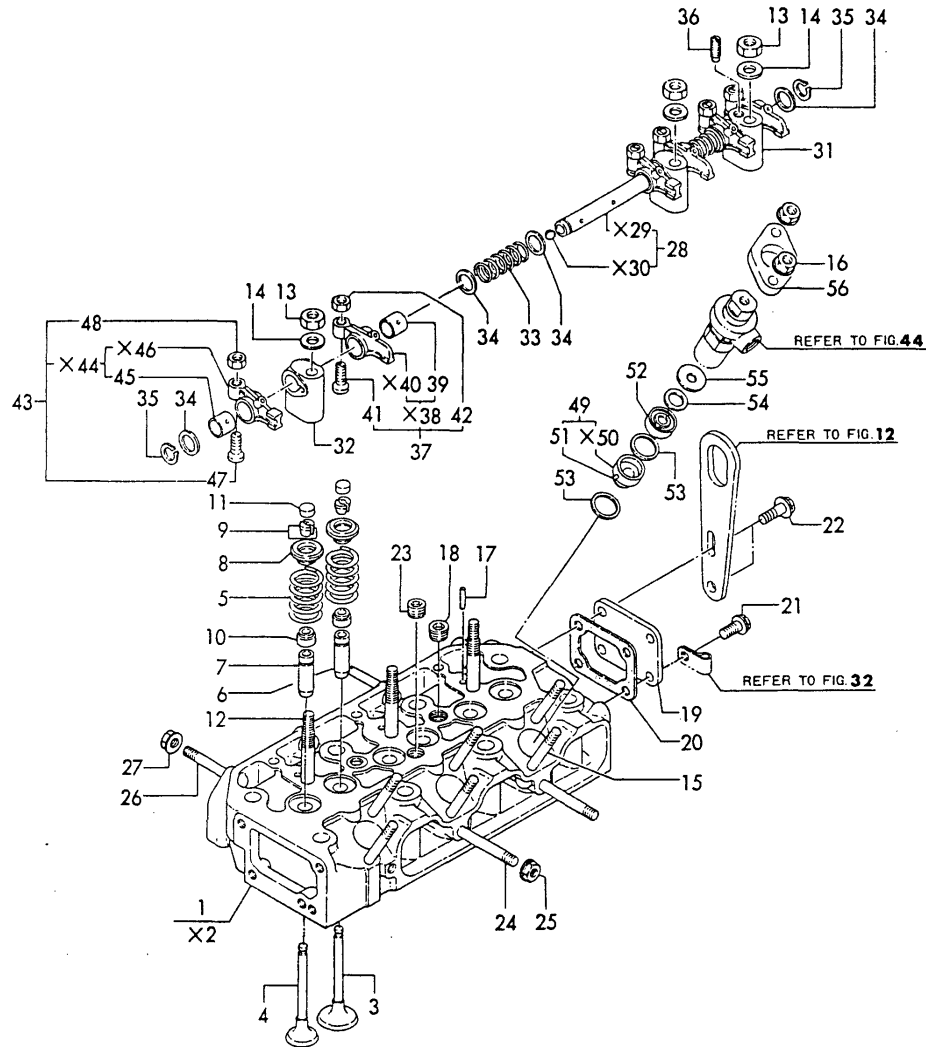
(A)=3HM35 (D)=
(B)=3HM35C (E)=
(C)=3HM35F (F)=

REF.	LEV.	PARTS NO.	DESCRIPTION	QTY						I	R
				(A)	(B)	(C)	(D)	(E)	(F)		
1	1	721575-11702	HEAD ASSY, CYLINDER	1	1						
3	2	104211-11100	VALVE, SUCTION	3	3						
4	2	104211-11110	VALVE, EXHAUST	3	3						
5	2	121575-11121	SPRING, VALVE	6	6						
6	2	124060-11800	GUIDE, SUC. VALVE	3	3						
7	2	124060-11810	GUIDE, EXH. VALVE	3	3						
8	2	104211-11180	RETAINER, SPRING	6	6						
9	2	27310-070001	COTTER	6	6						
10	2	124950-11340	SEAL, VALVE STEM	6	6						
11	2	104211-11370	CAP, VALVE TOP	6	6						
12	2	105225-11350	STUD, SUPPORT	3	3						
13	2	26776-100002	LOCK NUT M10	3	3						
14	2	22137-100000	WASHER 10	3	3						
15	2	26216-080702	STUD M 8X70	6	6						
16	2	26366-080002	NUT M 8	6	6						
17	2	121000-11050	TAPER PIN 4.5X10	1	1						
18	2	23873-030000	PLUG PT3/8	2	2						
19	2	121575-11670	COVER, SIDE	1	1						
20	2	121450-11680	GASKET, COVER	1	1						
21	2	26106-080302	BOLT M 8X30	2	2						
22	2	26106-080302	BOLT M 8X30	2	2						
23	2	23871-020000	PLUG PT1/4	1	1						
24	2	*REF. 16= 2	GASKET, ZINC	2	2						
25	2	*REF. 16= 3	PLUG, ZINC	2	2						
26	2	*REF. 16= 4	GASKET 25	1	1						
27	2	*REF. 16= 5	ZINC, ANTI-CORROSIVE	1	1						
28	2	*REF. 20=10	STUD M 8X57	2	2						
29	2	*REF. 20=11	NUT M 8	2	2						
30	2	*REF. 21=12	STUD M 8X80	2	2						
31	2	*REF. 21=13	SPRING WASHER 8	2	2						
32	2	*REF. 21=14	NUT M 8	2	2						
33	1	121550-11240	SHAFT W/PLUG, ARM	1	1						
36	1	121450-11260	SUPPROT A	1	1						
37	1	121450-11270	SUPPORT B	2	2						
38	1	121550-11280	SPRING	2	2						
39	1	121550-11290	WASHER	6	6						
40	1	22242-000140	CIRCLIP 14-S	2	2						
41	1	26921-080102	LOCK SCREW M 8X10	1	1						
42	1	721450-11650	ARM ASSY, SUC. VALVE	3	3						
44	3	124060-11220	BUSH, ARM	3	3						
46	2	101158-11230	ADJUSTER, CLEARANCE	3	3						
47	2	26756-080002	LOCK NUT M 8	3	3						
48	1	721450-11660	ARM ASSY, EXH. VALVE	3	3						
50	3	124060-11220	BUSH, ARM	3	3						
52	2	101158-11230	ADJUSTER, CLEARANCE	3	3						
53	2	26756-080002	LOCK NUT M 8	3	3						
54	1	121575-11421	CHAMBER W/PIN, FRONT	3	3						
56	2	103338-11430	PIN	3	3						
57	1	128695-11410	CHAMBER, REAR	3	3						
58	1	121550-11451	GASKET, CHAMBER	6	6						
59	1	128275-11490	PROTECTOR	3	3						
60	1	128695-11500	COVER, PROTECTOR	3	3						
61	1	101147-11900	RETAINER	3	3						

Fig.18.CYLINDER HEAD

(A)=3HM35 (D)=
 (B)=3HM35C (E)=
 (C)=3HM35F (F)=

Fig. 18 シリンダヘッド
 CYLINDER HEAD



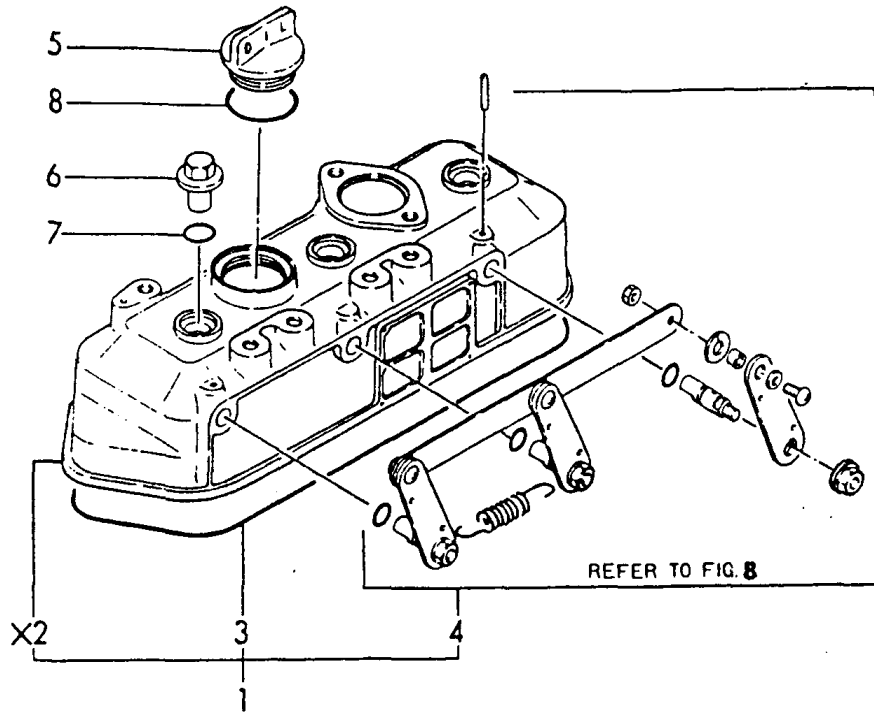
REF.	LEV.	PARTS NO.	DESCRIPTION	QTY						I	R	
				(A)	(B)	(C)	(D)	(E)	(F)			
1	1	721575-11702	HEAD ASSY, CYLINDER									A
3	2	104211-11100	VALVE, SUCTION									
4	2	104211-11110	VALVE, EXHAUST									
5	2	121575-11121	SPRING, VALVE									
6	2	124060-11800	GUIDE, SUC. VALVE									
7	2	124060-11810	GUIDE, EXH. VALVE									
8	2	104211-11180	RETAINER, SPRING									
9	2	27310-070001	COTTER 7									
10	2	124950-11340	SEAL, VALVE STEM									
11	2	104211-11370	CAP, VALVE TOP									
12	2	105225-11350	STUD, SUPPORT									
13	2	26776-100002	LOCK NUT M10									
14	2	22137-100000	WASHER 10									
15	2	26216-080702	STUD M 8X70									
16	2	26366-080002	NUT M 8									
17	2	121000-11050	TAPER PIN 4.5X10									
18	2	23873-030000	PLUG PT3/8									
19	2	121450-11670	COVER, SIDE									
20	2	121450-11680	GASKER, COVER									
21	2	26106-080122	BOLT M 8X12									
22	2	26106-080162	BOLT M 8X16									
23	2	23871-020000	PLUG PT1/4									
24	2	*REF. 20=10	STUD M 8X57									
25	2	*REF. 20=11	NUT M 8									
26	2	*REF. 35=31	STUD M 8X90									
27	2	*REF. 35=32	NUT M 8									
28	1	121550-11240	SHAFT W/PLUG, ARM									
31	1	121450-11260	SUPPORT A									
32	1	121450-11270	SUPPORT B									
33	1	121550-11280	SPRING									
34	1	121550-11290	WASHER									
35	1	22242-000140	CIRCLIP 14-S									
36	1	26921-080102	LOCK SCREW M 8X10									
37	1	721450-11650	ARM ASSY, SUC. VALVE									
39	3	124060-11220	BUSH, ARM									
41	2	101158-11230	ADJUSTER, CLEARANCE									
42	2	26756-080002	LOCK NUT M 8									
43	1	721450-11660	ARM ASSY, EXH. VALVE									
45	3	124060-11220	BUSH, ARM									
47	2	101158-11230	ADJUSTER, CEARANCE									
48	2	26756-080002	LOCK NUT M 8									
49	1	121575-11421	CHAMBER W/PIN									
51	2	103338-11430	PIN									
52	1	128695-11410	CHAMBER, REAR									
53	1	121550-11451	GASKET, CHAMBER									
54	1	128275-11490	PROTECTOR									
55	1	128695-11500	COVER, PROTECTOR									
56	1	101147-11900	RETAINER									

Remarks
 A)CYLINDER HEAD ASSY. OF MODEL 3HM35F
 IS SUPPLIED AS MODEL 3HM35F.
 ALTHOUGH COMPONENT PARTS ARE PARTLY
 DIFFERET, BUT INTERCHANGEABLE.

Fig.19.BONNET

(A)=3HM35 (D)=
 (B)=3HM35C (E)=
 (C)=3HM35F (F)=

Fig. **19** ボンネット
 BONNET

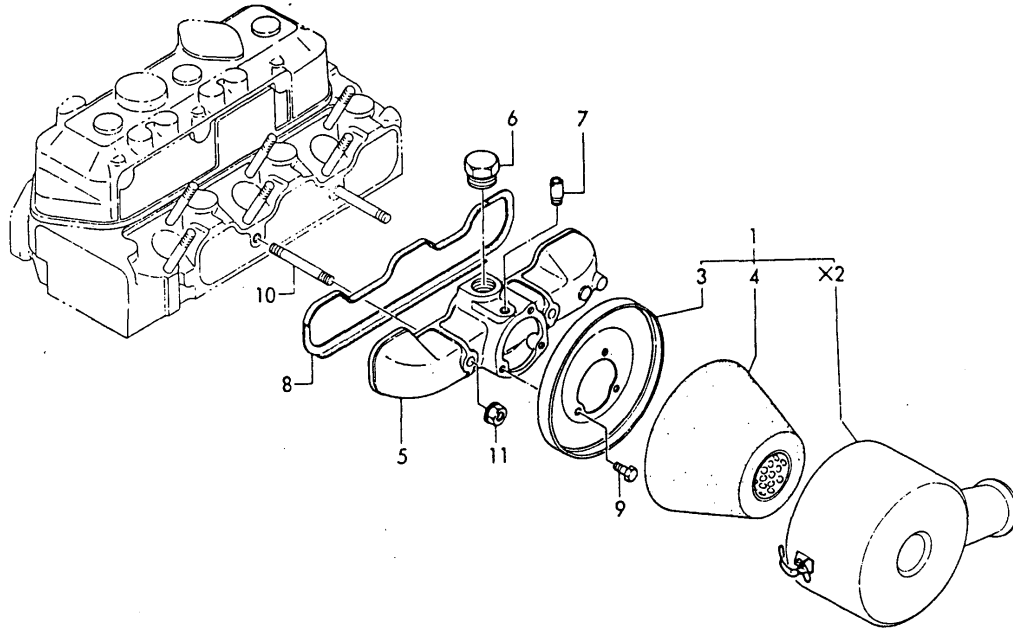


REF.	LEV.	PARTS NO.	DESCRIPTION	QTY						I	R	
				(A)	(B)	(C)	(D)	(E)	(F)			
1	1	728670-11521	BONNET ASSY.	1	1	1						
3	2	121550-11310	GASKET,BONNET	1	1	1						
4	2	*REF. 8	DECOMPRESSION	1	1	1						
5	1	124160-01751	CAP,OIL FEED	1	1	1						
6	1	124160-11360	CAP NUT,BONNET	3	3	3						
7	1	24311-000120	O-RING 1A P12.0	3	3	3						
8	1	24321-000350	O-RING 1A G35.0	1	1	1						

Fig.20.SUCTION SILENCER

(A)=3HM35 (D)=
 (B)=3HM35C (E)=
 (C)=3HM35F (F)=

Fig. **20** キュウキサイレンサ
 SUCTION SILENCER

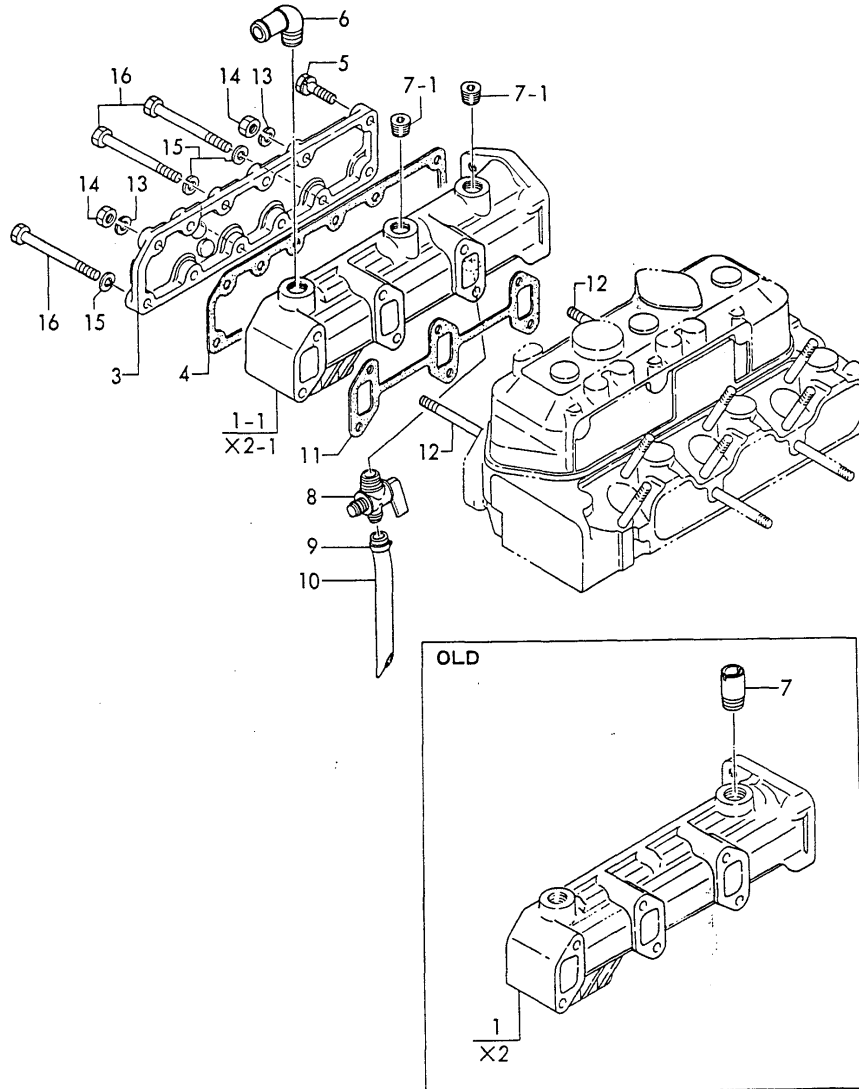


REF.	LEV.	PARTS NO.	DESCRIPTION	QTY						I	R	
				(A)	(B)	(C)	(D)	(E)	(F)			
1	1	124770-12500	SILENCER ASSY, SUC.	1	1	1						
3	2	124770-12530	BRACKET, SILENCER	1	1	1						
4	2	124770-12540	ELEMENT	1	1	1						
5	1	121575-12700	MANIFOLD, SUCTION	1	1	1						
6	1	124450-11320	PLUG U7/8	1	1	1						
7	1	124770-11770	JOINT PT1/8	1	1	1						
8	1	121551-12710	GASKET, MANIFOLD	1	1	1						
9	1	26016-060142	BOLT M 6X14	3	3	3						
10	1	121250-11550	STUD M 8X57	2	2	2						
11	1	26366-080002	NUT M 8	2	2	2						

(A)=3HM35 (D)=
 (B)=3HM35C (E)=
 (C)=3HM35F (F)=

Fig.21.EXHAUST MANIFOLD

Fig. **21** ハイキマニホールド
 EXHAUST MANIFOLD



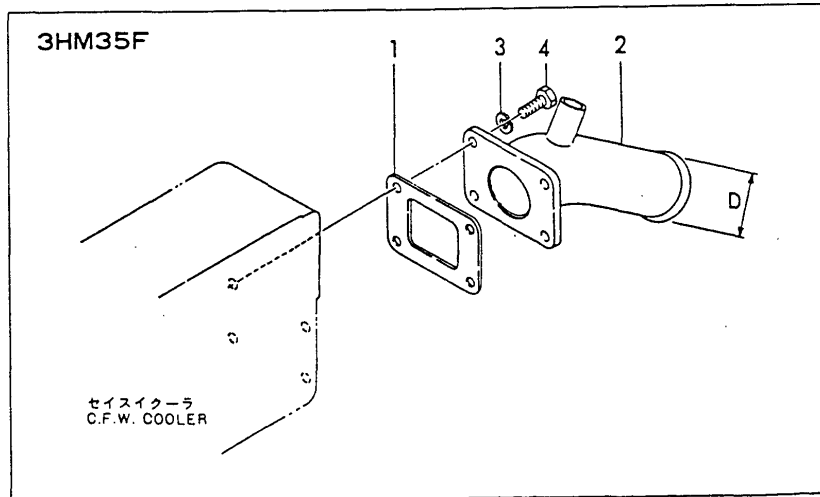
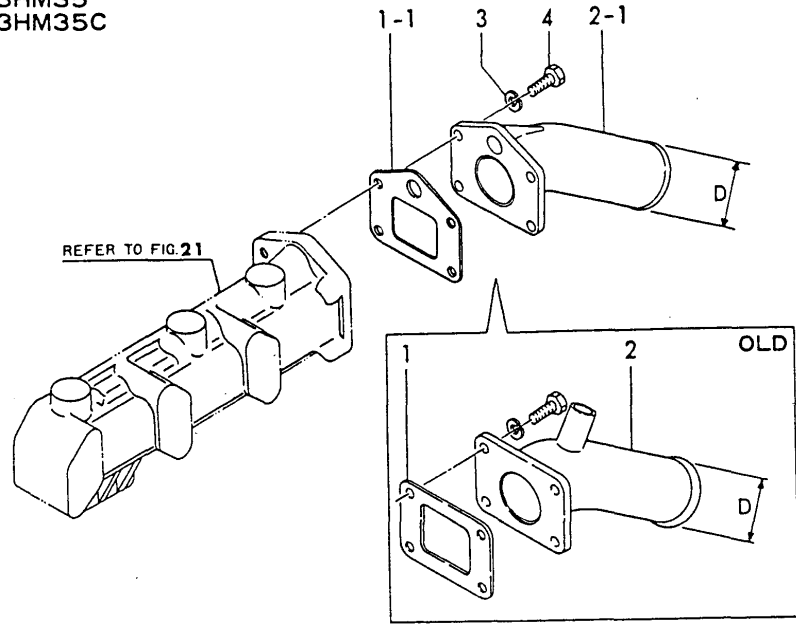
REF.	LEV.	PARTS NO.	DESCRIPTION	QTY						I	R
				(A)	(B)	(C)	(D)	(E)	(F)		
1	1	728670-13500	MANIFOLD ASSY, EXH.	1	1						
I	1-1	1	728670-13501	MANIFOLD ASSY, EXH.	1	1					F A
(A=E00726)											
3	2	128670-13160	COVER, MANIFOLD	1	1						
4	2	128670-13180	GASKET, COVER	1	1						
5	2	26013-080252	BOLT M 8X25	6	6						
6	2	124070-13300	ELBOW PT3/8	1	1						
7	2	121575-49300	JOINT PT3/8	1	1						
I	7-1	2	23871-030000	PLUG PT3/8	2	2					S
(A=E00726)											
8	2	104200-11920	COCK, DRAIN	1	1						
9	1	124223-49750	CLAMP 13	1	1						
10	1	23061-100500	PIPE 10X500	1	1						
11	1	121550-13520	GASKET, MANIFOLD	1	1						
12	1	26213-080802	STUD M 8X80	2	2						
13	1	22217-080000	SPRING WASHER 8	2	2						
14	1	26706-080002	NUT M 8	2	2						
15	1	22217-080000	SPRING WASHER 8	4	4						
16	1	26115-080802	BOLT M 8X80	4	4						

Remarks
 A) INTERCHANGEABLE BY SIMULTANEOUS
 REPLACEMENT WITH JOINT(121575-
 49300),SPACER(128370-13220) &
 GASKET(128370-13230).

Fig.22.MIXING ELBOW

Fig. **22** ミキシングエルボ
MIXING ELBOW

3HM35
3HM35C



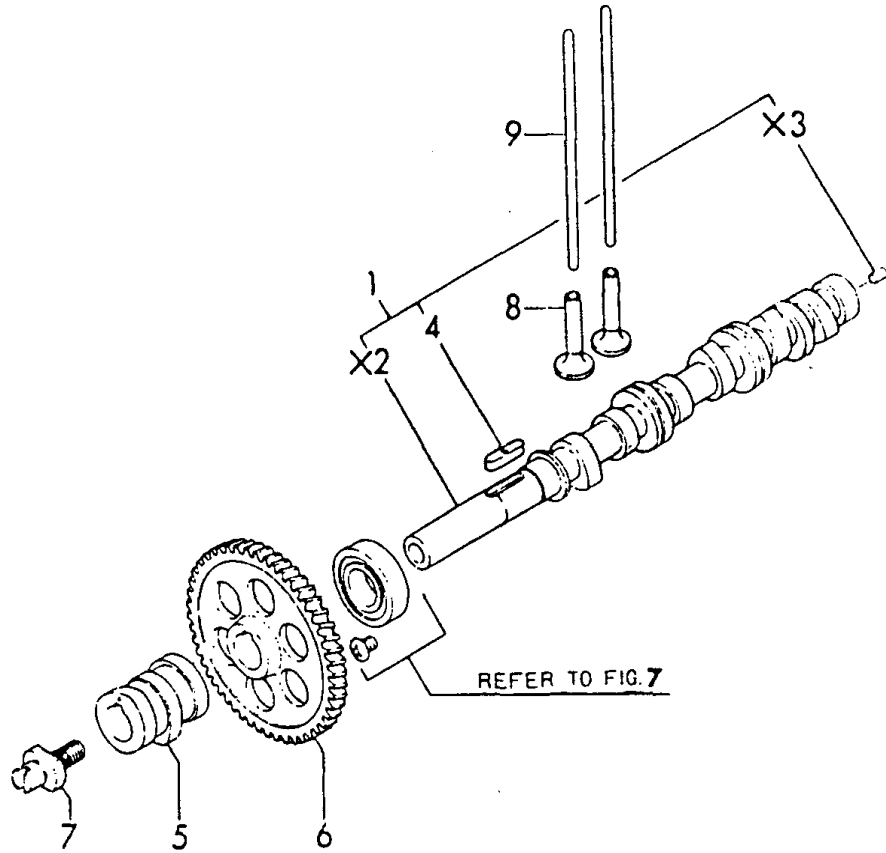
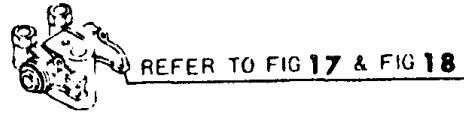
(A)=3HM35 (D)=
(B)=3HM35C (E)=
(C)=3HM35F (F)=

REF.	LEV.	PARTS NO.	DESCRIPTION	QTY						I	R
				(A)	(B)	(C)	(D)	(E)	(F)		
1	1	128370-13200	GASKET	1	1	1					
I	1-1	128370-13230	GASKET	1	1						S
(A=E00726)											
2	1	128370-13530	ELBOW D50.8, MIXING	1	1	1					
I	2-1	128370-13550	ELBOW D50.8, MIXING	1	1						S
(A=E00726)											
3	1	22217-080000	SPRING WASHER 8	4	4	4					
4	1	26115-080202	BOLT M 8X20	4	4	4					

(A)=3HM35 (D)=
 (B)=3HM35C (E)=
 (C)=3HM35F (F)=

Fig.23.CAMSHAFT

Fig. 23 カムシャフトウケ CAMSHAFT

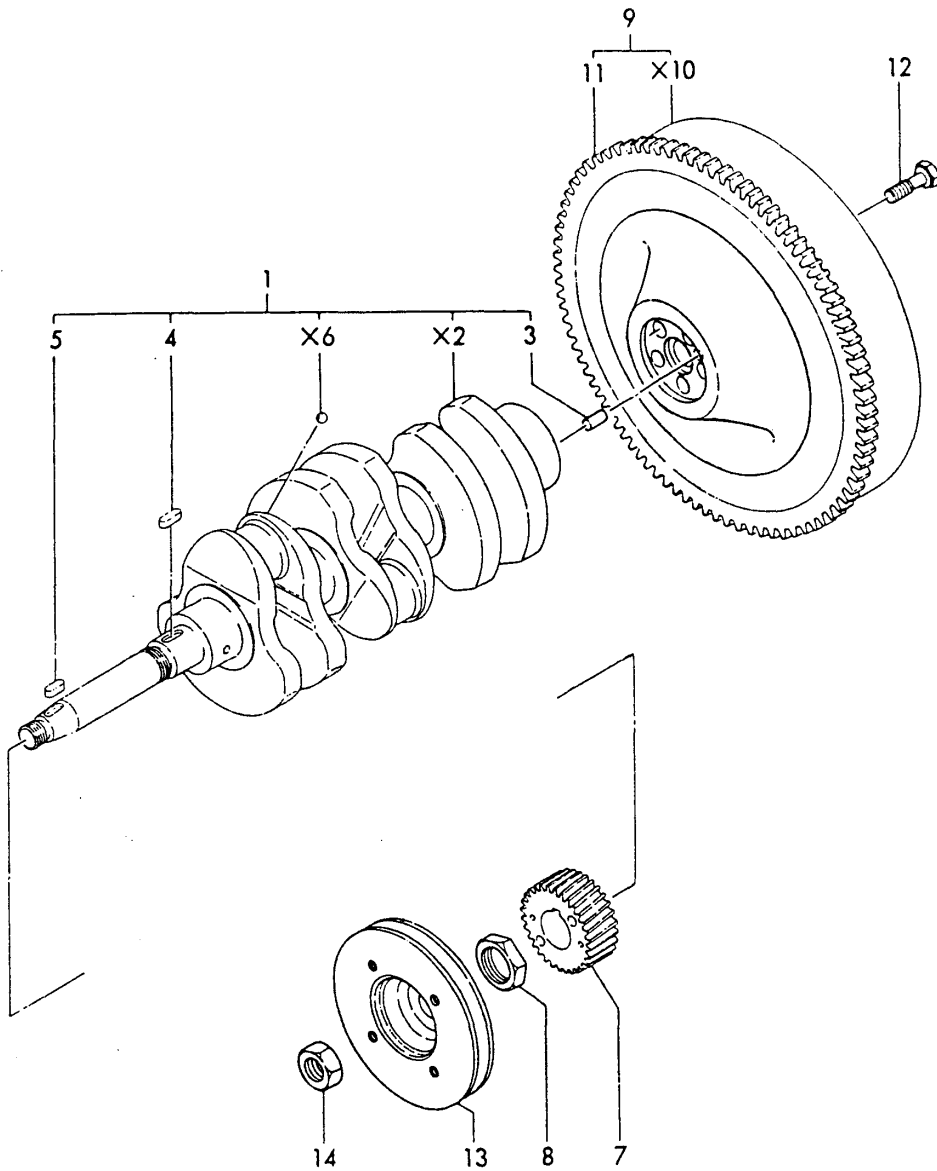


REF.	LEV.	PARTS NO.	DESCRIPTION	QTY						I	R	
				(A)	(B)	(C)	(D)	(E)	(F)			
1	1	721500-14580	CAMSHAFT ASSY.	1	1	1						
4	2	22512-070300	FEATHER KEY 7X30	1	1	1						
5	1	121575-14090	CAM	1	1	1						
6	1	129350-14100	GEAR,CAM	1	1	1						
7	1	121000-14110	BOLT,CAMSHAFT	1	1	1						
8	1	104200-14200	TAPPET	6	6	6						
9	1	121550-14400	ROD,PUSH	6	6	6						

(A)=3HM35 (D)=
 (B)=3HM35C (E)=
 (C)=3HM35F (F)=

Fig.24.CRANKSHAFT & FLYWHEEL

Fig. **24** クランクシャフト&フライホイール
 CRANKSHAFT&FLYWHEEL

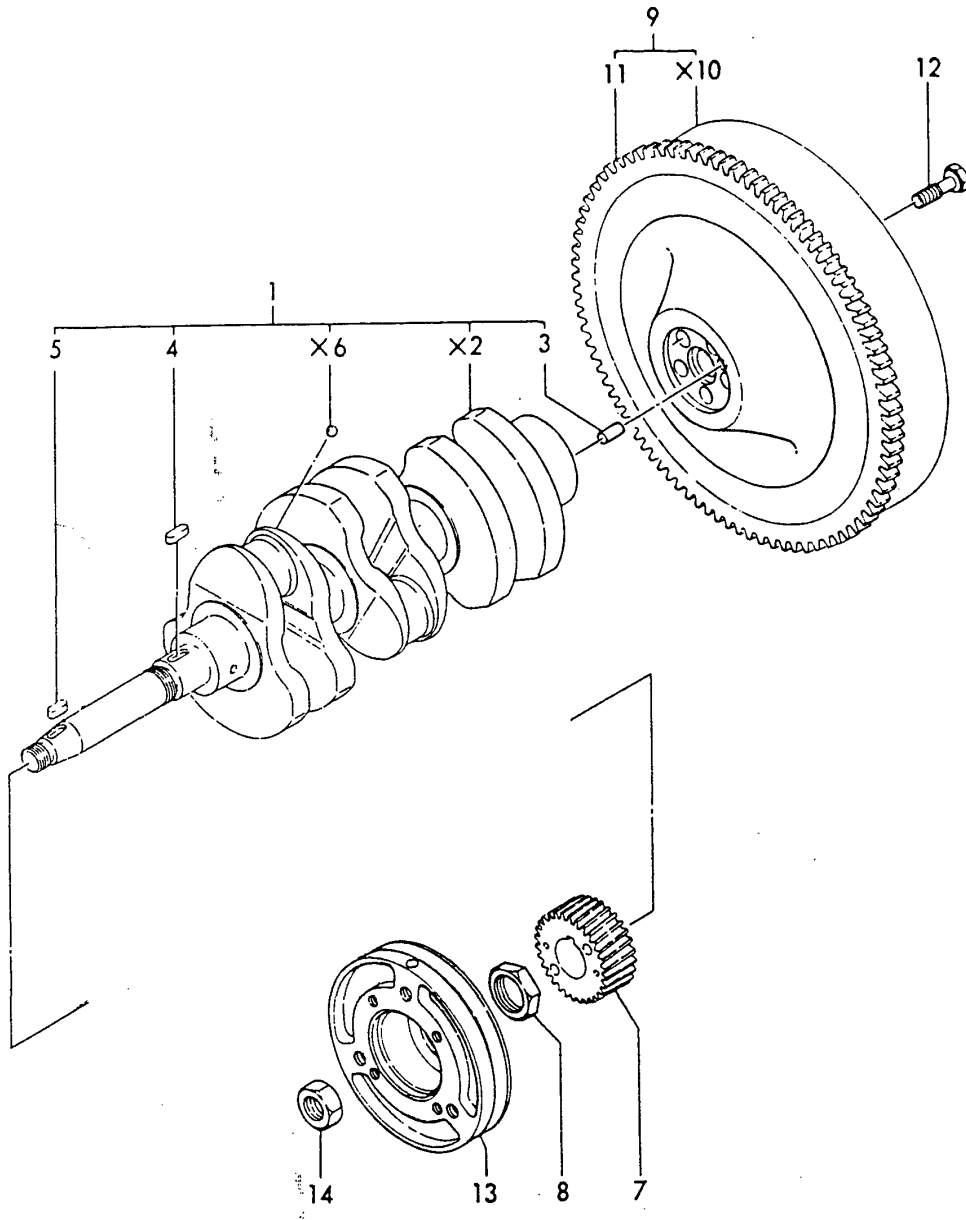


REF.	LEV.	PARTS NO.	DESCRIPTION	QTY						I	R
				(A)	(B)	(C)	(D)	(E)	(F)		
1	1	728671-21700	CRANKSHAFT ASSY	1	1						
3	2	22312-080160	PARALLEL PIN 8X16	1	1						
4	2	22512-070180	FEATHER KEY 7X18	1	1						
5	2	22512-070180	FEATHER KEY 7X18	1	1						
7	1	129350-21200	GEAR, CRANKSHAFT	1	1						
8	1	121450-21540	NUT M28	1	1						
9	1	128670-21590	FLYWHEEL W/RING GEAR	1	1						
11	2	105212-21600	GEAR, RING	1	1						
12	1	121574-21500	BOLT, FLYWHEEL	5	5						
13	1	128670-21650	V-PULLEY	1	1						
14	1	26776-180002	LOCK NUT M18	1	1						

(A)=3HM35 (D)=
 (B)=3HM35C (E)=
 (C)=3HM35F (F)=

Fig.25.CRANKSHAFT & FLYWHEEL

Fig. **25** クランクシャフト&フライホイール
 CRANKSHAFT&FLYWHEEL

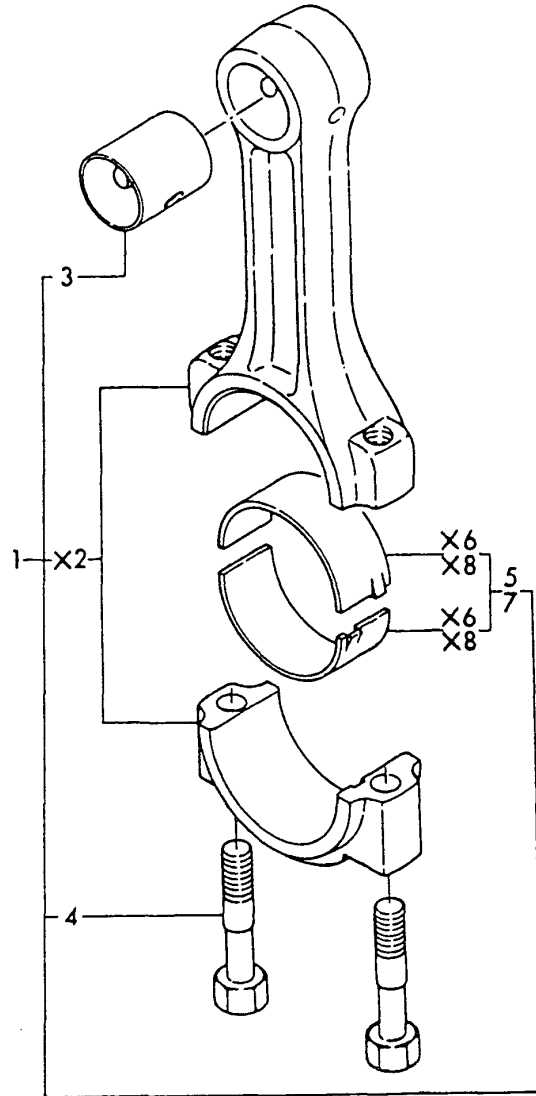


REF.	LEV.	PARTS NO.	DESCRIPTION	QTY						I	R	
				(A)	(B)	(C)	(D)	(E)	(F)			
1	1	728671-21700	CRANKSHAFT ASSY							1		
3	2	22312-080160	PARALLEL PIN 8X16							1		
4	2	22512-070180	FEATHER KEY 7X18							1		
5	2	22512-070180	FEATHER KEY 7X18							1		
7	1	129350-21200	GEAR, CRANKSHAFT							1		
8	1	121450-21540	NUT M28							1		
9	1	128670-21590	FLYWHEEL W/RING GEAR							1		
11	2	105212-21600	GEAR, RING							1		
12	1	121574-21500	BOLT, FLYWHEEL							5		
13	1	128695-21650	V-PULLEY							1		
14	1	26776-180002	LOCK NUT M18							1		

(A)=3HM35 (D)=
 (B)=3HM35C (E)=
 (C)=3HM35F (F)=

Fig.27.CONNECTING ROD

Fig. **27** コネクティングロッド
 CONNECTING ROD

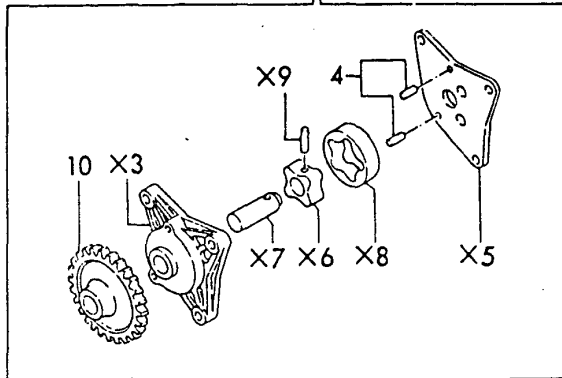
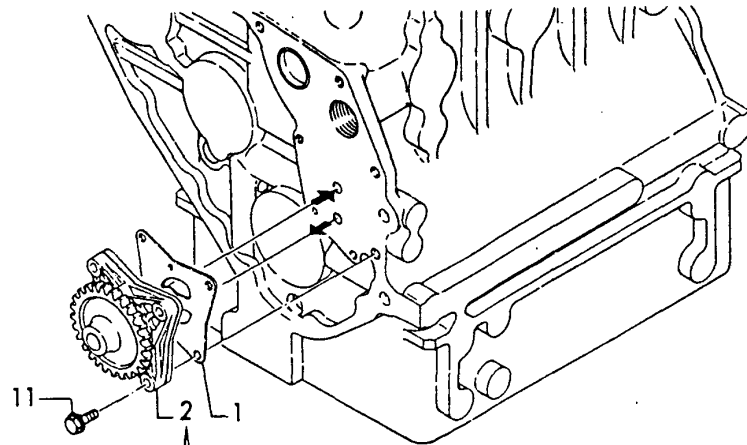


REF.	LEV.	PARTS NO.	DESCRIPTION	QTY						I	R
				(A)	(B)	(C)	(D)	(E)	(F)		
1	1	721550-23100	ROD ASSY.,CONNECTING	3	3	3					
3	2	124060-23100	BUSH,PISTON PIN	3	3	3					
4	2	121550-23200	BOLT,CONNECTING ROD	6	6	6					
5	2	721550-23600	BEARING ASSY., PIN	3	3	3					
7	1	121550-23380	BEARING ASSY.,PIN	3	3	3					A

Remarks
 A) FOR REPLACEMENT PARTS

Fig.28.LUB.OIL PUMP

Fig. **28** LOポンプ
LUB. OIL PUMP



(A)=3HM35 (D)=
(B)=3HM35C (E)=
(C)=3HM35F (F)=

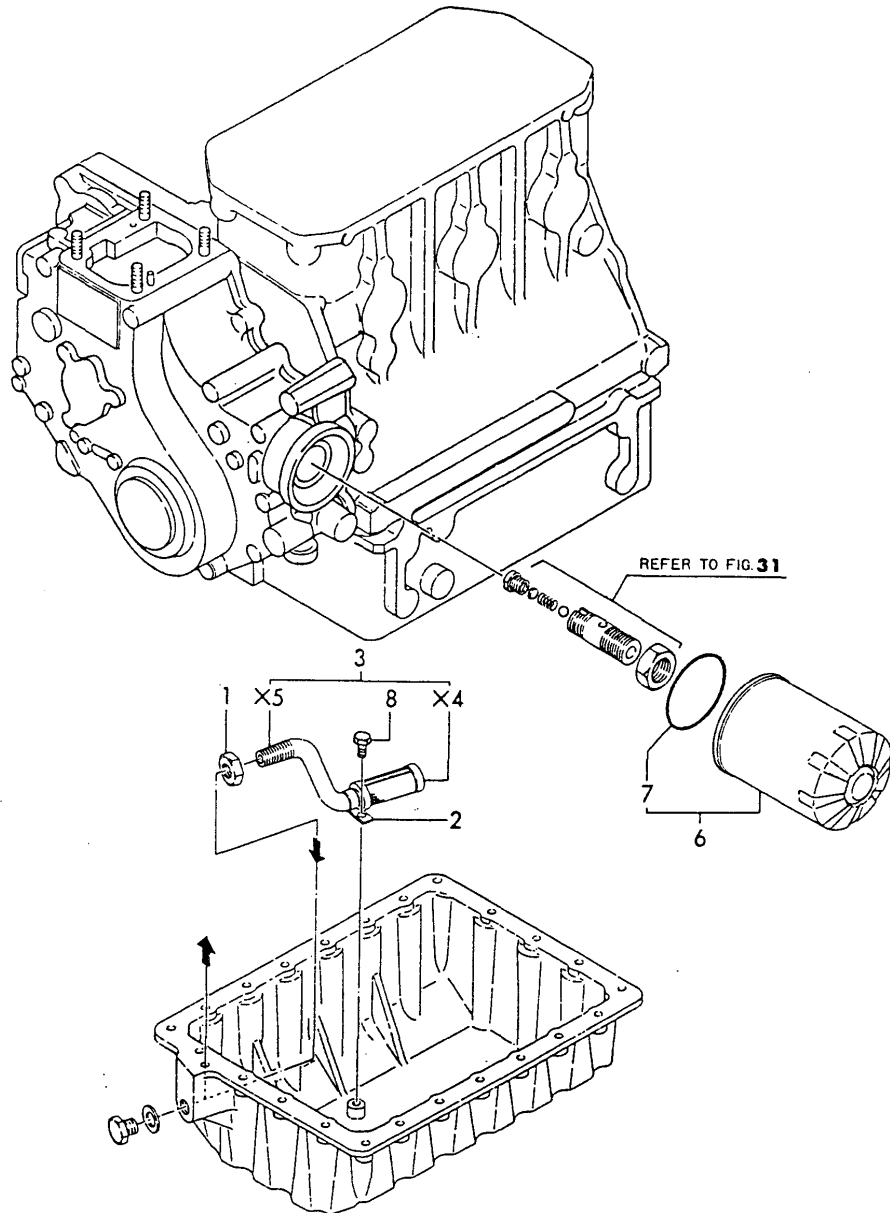
REF.	LEV.	PARTS NO.	DESCRIPTION	QTY						I	R
				(A)	(B)	(C)	(D)	(E)	(F)		
1	1	121450-32021	GASKET,PUMP	1	1	1					
2	1	121575-32090	PUMP ASSY.,LUB.OIL	1	1	1					
4	2	121450-32050	PARALLEL PIN 4X12	2	2	2					
10	2	121450-32200	GEAR,PUMP	1	1	1					
11	1	26106-060202	BOLT M6X20	3	3	3					

(A)=3HM35 (D)=
 (B)=3HM35C (E)=
 (C)=3HM35F (F)=

Fig.30.LUB.OIL STRAINER

Fig. **30** LOストレーナ
 LUB. OIL STRAINER

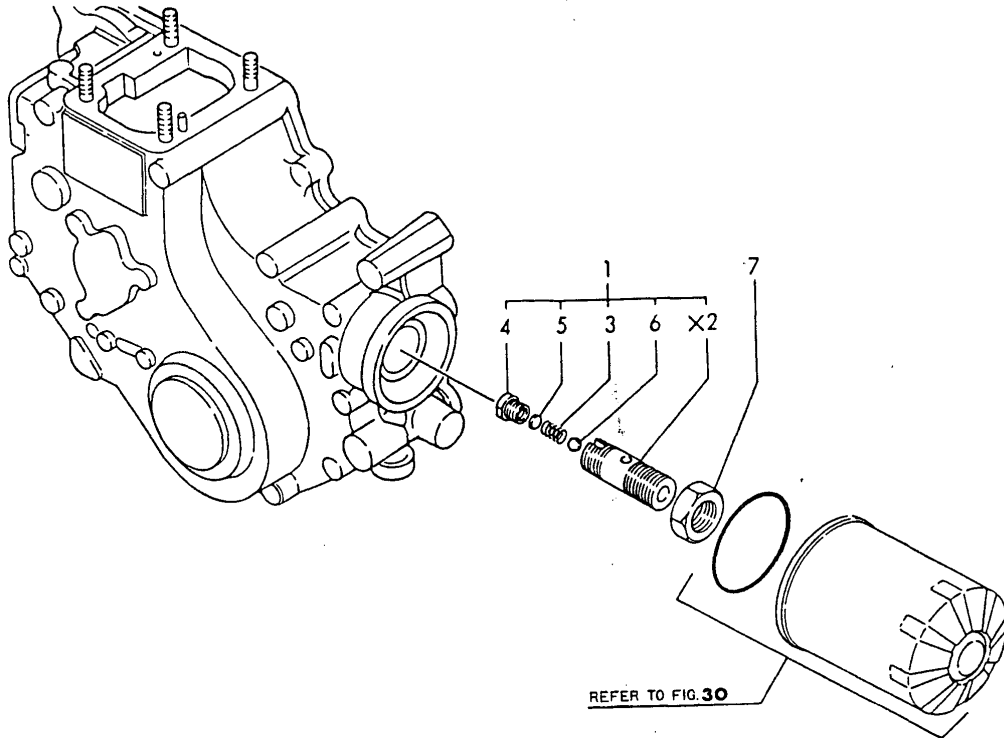
REF.	LEV.	PARTS NO.	DESCRIPTION	QTY						I	R
				(A)	(B)	(C)	(D)	(E)	(F)		
1	1	124450-35070	LOCK NUT PF1/4	1	1	1					
2	1	121370-35080	CLAMP	1	1	1					
3	1	121575-35090	PIPE ASSY.,OIL INLET	1	1	1					
6	1	124550-35110	STRAINER,LUB.OIL	1	1	1					
7	2	124450-35110	O-RING	1	1	1					
8	1	26106-060142	BOLT M6X14	1	1	1					



(A)=3HM35 (D)=
 (B)=3HM35C (E)=
 (C)=3HM35F (F)=

Fig.31.L.O.PRESS.REGULATING VALVE

Fig. **31** LOチョウアツベン
 L.O. PRESS. REGULATING VALVE

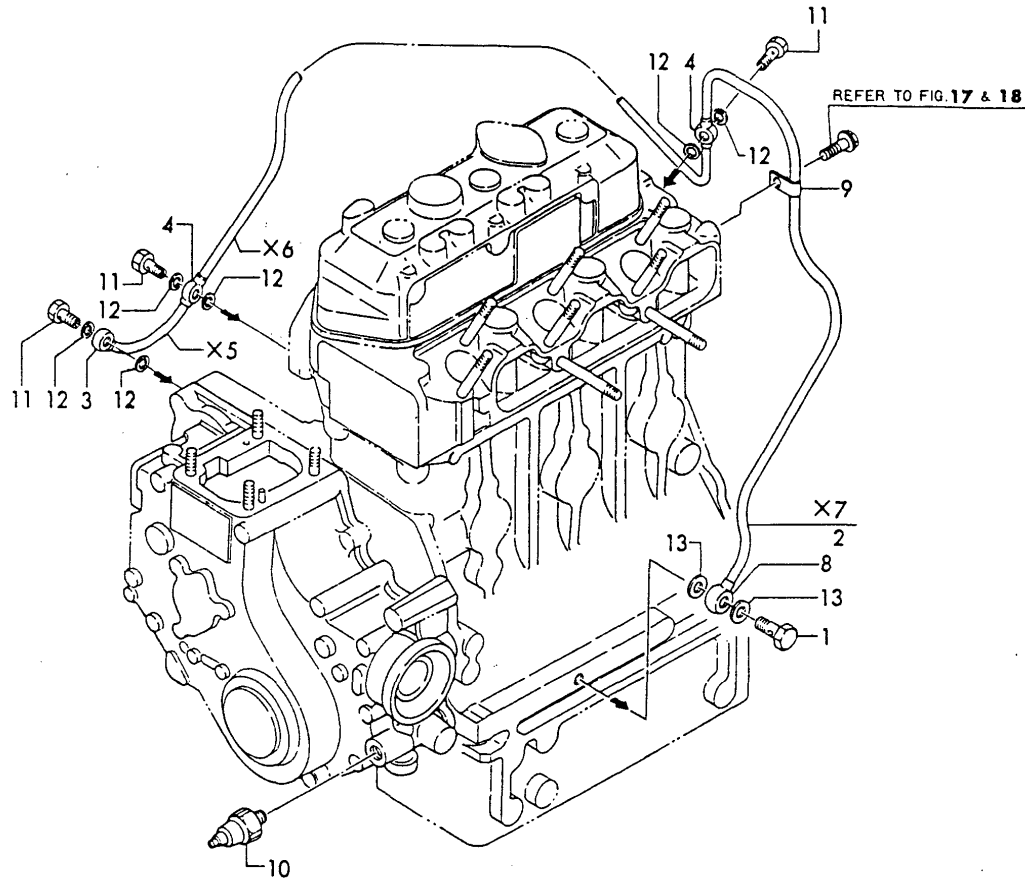


REF.	LEV.	PARTS NO.	DESCRIPTION	QTY						I	R	
				(A)	(B)	(C)	(D)	(E)	(F)			
1	1	124085-35300	VALVE ASSY.	1	1	1						
3	2	121250-35320	SPRING	1	1	1						
4	2	121250-35330	RETAINER, SPRING	1	1	1						
5	2	121250-35340	SHIM	1	1	1						
6	2	24190-100001	VALVE 5/16	1	1	1						
7	1	124085-35350	LOCK NUT M20	1	1	1						

Fig.32.LUB.OIL LINES

(A)=3HM35 (D)=
 (B)=3HM35C (E)=
 (C)=3HM35F (F)=

Fig. **32** LOパイプ
 LUB. OIL LINES

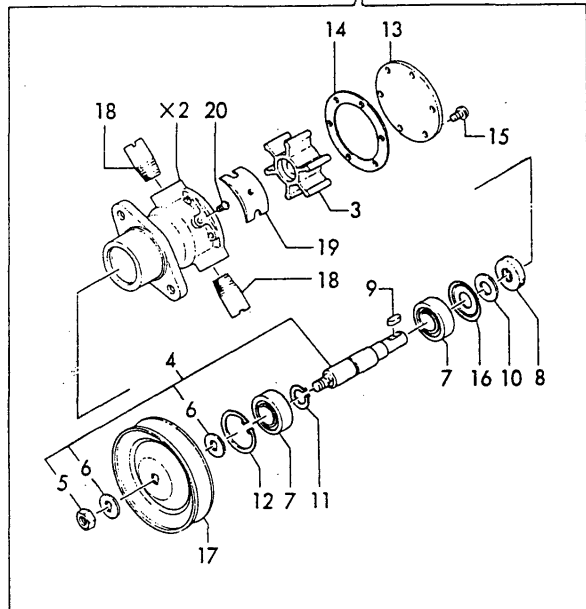
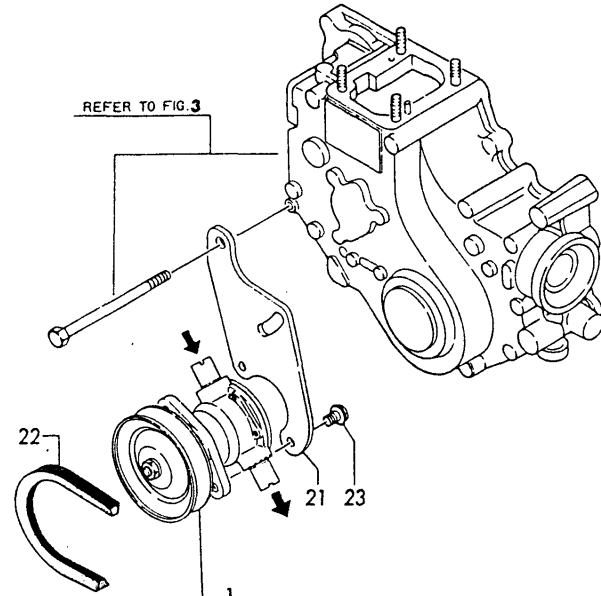


REF.	LEV.	PARTS NO.	DESCRIPTION	QTY						I	R
				(A)	(B)	(C)	(D)	(E)	(F)		
1	1	124160-39140	BOLT(10),PIPE JOINT	1	1	1					
2	1	121575-39200	PIPE ASSY.,LUB.OIL	1	1	1					
3	2	103288-39170	JOINT(8),PIPE	1	1	1					
4	2	124450-39180	JOINT(8),PIPE	2	2	2					
8	2	124160-39540	JOINT(10),PIPE	1	1	1					
9	1	124450-39240	CLAMP,PIPE	1	1	1					
10	1	124060-39451	SENDER,OIL PRESS.	1	1	1					
11	1	124550-59820	BOLT(8),PIPE JOINT	3	3	3					
12	1	23414-080000	GASKET 8	6	6	6					
13	1	23414-100000	GASKET 10	2	2	2					

(A)=3HM35 (D)=
 (B)=3HM35C (E)=
 (C)=3HM35F (F)=

Fig.33.COOLING SEA WATER PUMP

Fig. **33** カイスイポンプ
 COOLING SEA WATER PUMP



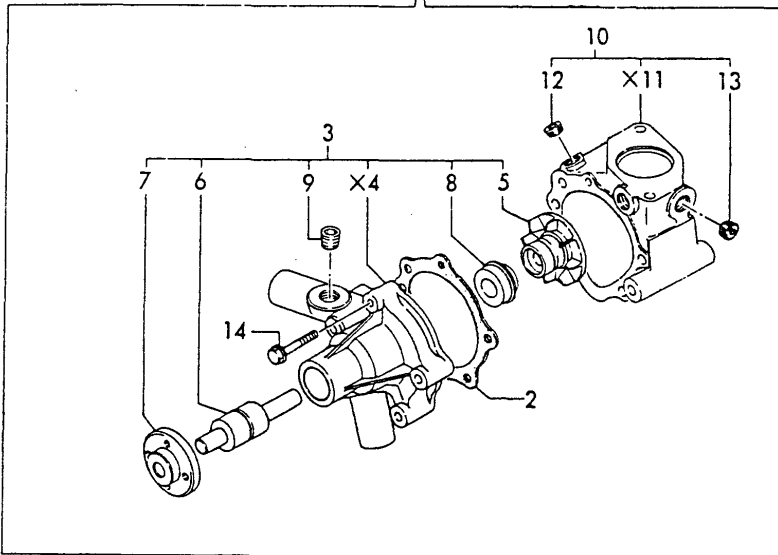
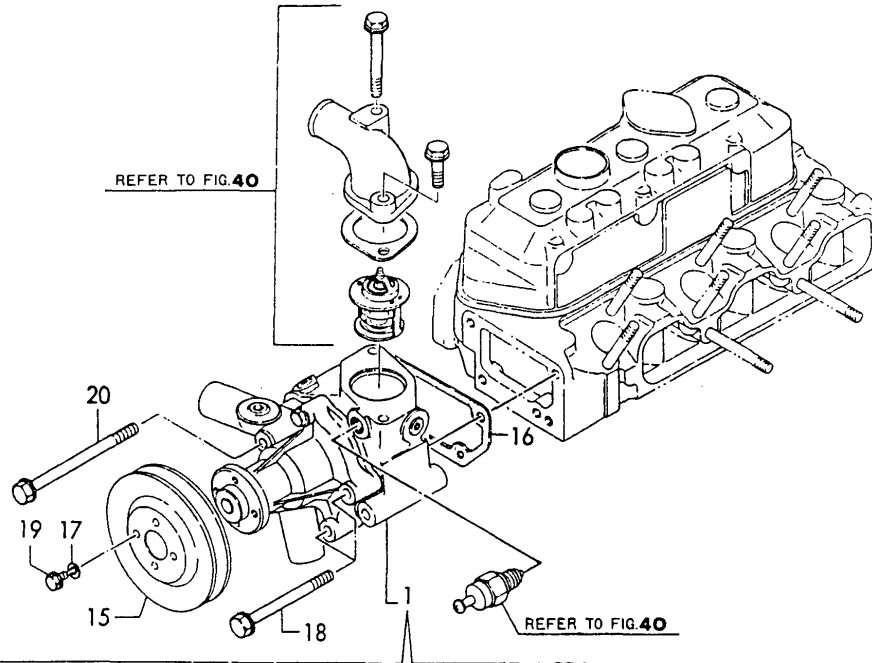
REF.	LEV.	PARTS NO.	DESCRIPTION	QTY						I	R
				(A)	(B)	(C)	(D)	(E)	(F)		
1	1	121575-42000	SEA WATER PUMP ASSY	1	1	1					
3	2	124223-42091	IMPELLER	1	1	1					
4	2	721575-42500	SHAFT ASSY, PUMP	1	1	1					
5	3	26347-080002	U-NUT M 8	1	1	1					
6	3	124070-42420	WASHER	2	2	2					
7	2	24107-062024	BEARING	2	2	2					
8	2	124223-42080	OIL SEAL TC13287	1	1	1					
9	2	124223-42040	FEATHER KEY	1	1	1					
10	2	124223-42070	WATER DRIP	1	1	1					
11	2	22242-000150	CIRCLIP 15-S	1	1	1					
12	2	22252-000350	CIRCLIP 35-H	1	1	1					
13	2	121575-42150	COVER	1	1	1					
14	2	124223-42110	GASKET	1	1	1					
15	2	26554-040082	SCREW M 4X 8	6	6	6					
16	2	121575-42120	COVER, BEARING	1	1	1					
17	2	124070-42400	V-PULLEY	1	1	1					
18	2	121575-49300	JOINT PT3/4	2	2	2					
19	2	124323-42100	CAM	1	1	1					
20	2	26554-040102	SCREW M 4X10	1	1	1					
21	1	128270-42150	BRACKET, PUMP	1	1	1					
22	1	104511-78780	V-BELT(M19INCH)	1	1	1					
23	1	26106-080122	BOLT M 8X12	2	2	2					

(A)=3HM35 (D)=
 (B)=3HM35C (E)=
 (C)=3HM35F (F)=

Fig.34.COOLING FRESH WATER PUMP

Fig. **34** セイスイポンプ
 COOLING FRESH WATER PUMP

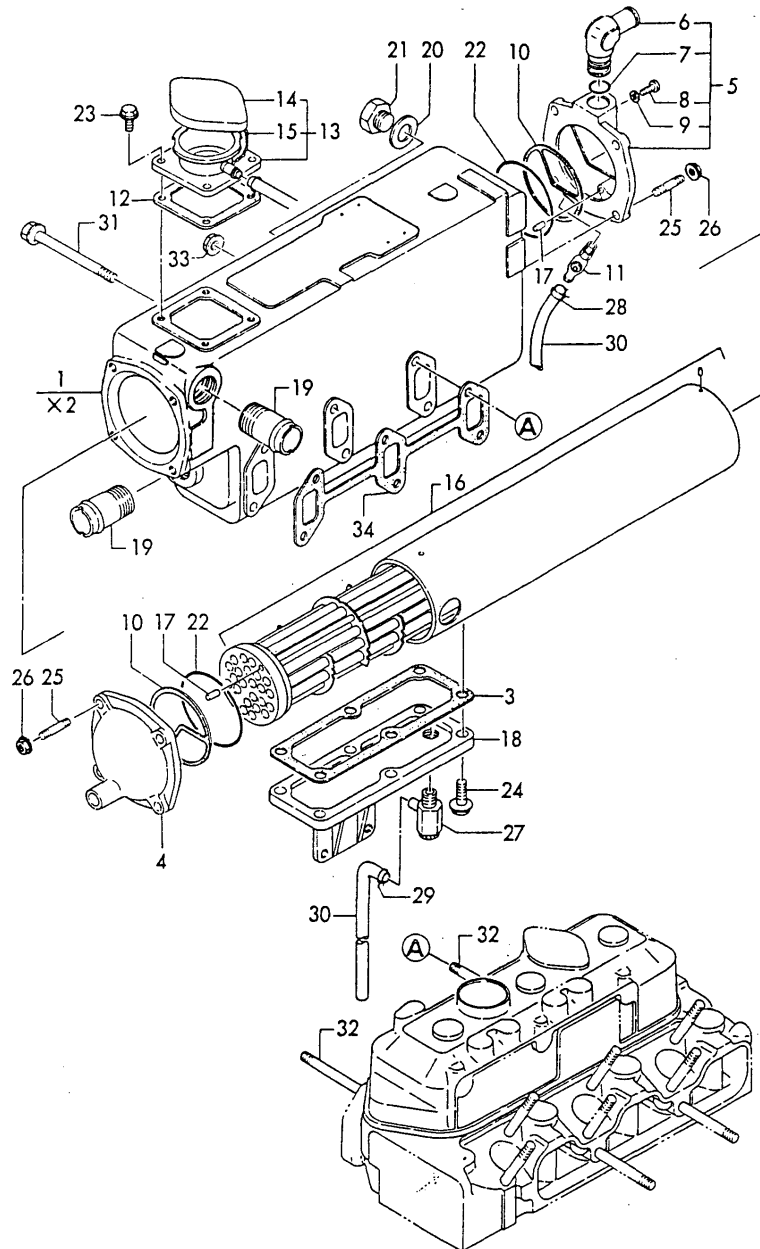
REF.	LEV.	PARTS NO.	DESCRIPTION	QTY						I	R		
				(A)	(B)	(C)	(D)	(E)	(F)				
1	1	128695-42010	FRESH WATER PUMP										
2	2	121000-42051	GASKET, PUMP										
3	2	121000-42100	BODY ASSY, PUMP										
5	3	129350-42200	IMPELLER										
6	3	121450-42240	SHAFT W/BEARING										
7	3	121450-42260	FLANGE, V-PULLEY										
8	3	121450-42310	MECHANICAL SEAL										
9	3	23873-030000	PLUG PT3/8										
10	2	728695-43500	BRACKET ASSY, PUMP										
12	3	23871-020000	PLUG PT1/4										
13	3	23873-030000	PLUG PT3/8										
14	2	26106-060322	BOLT M 8X32										
15	1	128695-42350	V-PULLEY										
16	1	121450-44410	GASKET, BRACKET										
17	1	22217-060000	SPRING WASHER 6										
18	1	26106-080902	BOLT M 8X 90										
19	1	26106-060102	BOLT M 6X 10										
20	1	26106-081102	BOLT M 8X110										



(A)=3HM35 (D)=
 (B)=3HM35C (E)=
 (C)=3HM35F (F)=

Fig.35.COOLING FRESH WATER COOLER

Fig. **35** セイスイクーラ
 COOLING FRESH WATER COOLER

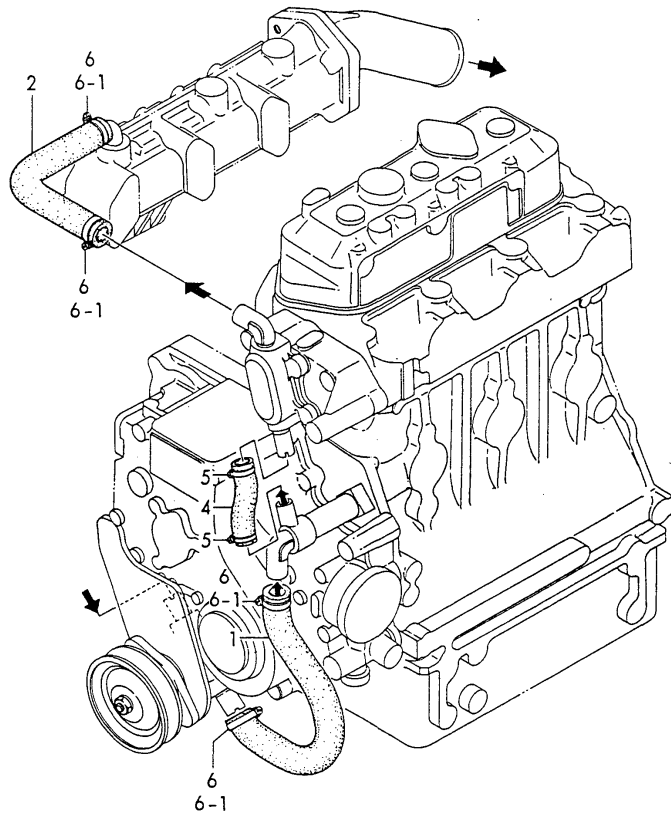
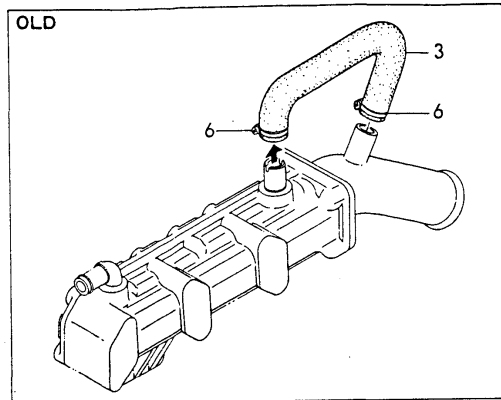


REF.	LEV.	PARTS NO.	DESCRIPTION	QTY						I	R		
				(A)	(B)	(C)	(D)	(E)	(F)				
1	1	728695-44502	COOLER ASSY										
3	2	120345-13160	GASKET, COVER										
4	2	128695-44050	COVER, SIDE										
5	2	728690-44710	COVER ASSY										
6	3	128690-49310	ELBOW										
7	3	24311-000160	O-RING 1A P16.0										
8	3	26554-050102	SCREW M 5X10										
9	3	23414-050000	GASKET 5										
10	2	128695-44070	GASKET, COVER										
11	2	128695-44090	COCK PT1/8										
12	2	123682-44200	GASKET, FILLER										
13	2	123682-44190	FILLER, ASSY										
14	3	123682-44210	CAP										
15	3	123682-44220	CHAIN										
16	2	128695-44400	PIPE ASSY, COOLER										
17	2	124790-44470	PARALLEL PIN 4X12										
18	2	128695-44480	COVER, COOLER										
19	2	124160-49480	JOINT, PIPE										
20	2	23414-170022	GASKET 17										
21	2	23893-030002	PLUG PF3/8										
22	2	24311-000700	O-RING 1A P70.0										
23	2	26106-060142	BOLT M 6X14										
24	2	26106-080202	BOLT M 8X20										
25	2	26216-060202	STUD M 6X20										
26	2	26366-060002	NUT M 8										
27	2	120130-49350	COCK W/VALVE										
28	1	124722-59050	CLAMP_9										
29	1	124460-77680	CLAMP										
30	1	23061-070300	PIPE 7X300										
31	1	26106-080902	BOLT M 8X90										
32	1	26216-080902	STUD M 8X90										
33	1	26366-080002	NUT M 8										
34	1	121550-13520	GASKET										

(A)=3HM35 (D)=
 (B)=3HM35C (E)=
 (C)=3HM35F (F)=

Fig.37.COOLING WATER LINES

Fig. **37** CWパイプ
 COOLING WATER LINES

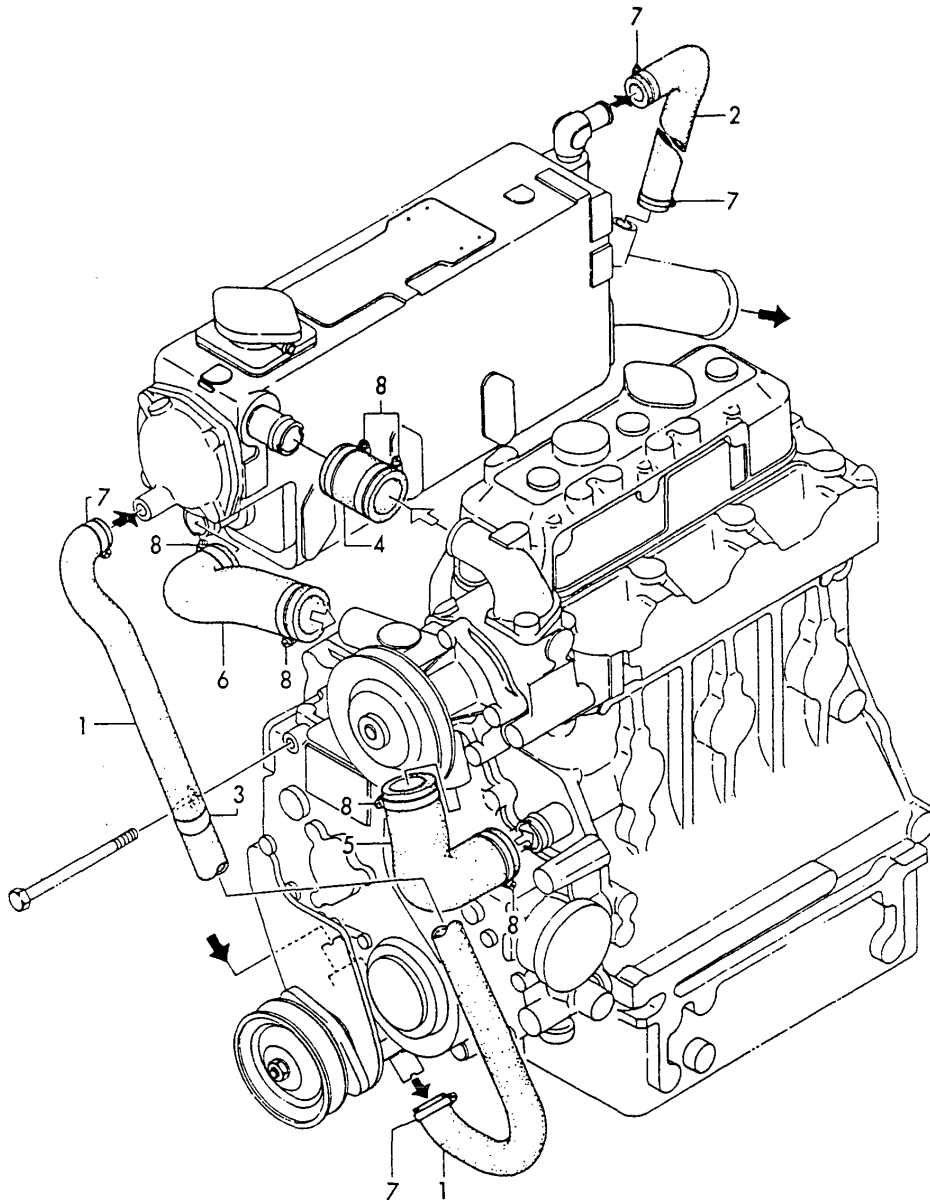


REF.	LEV.	PARTS NO.	DESCRIPTION	QTY						I	R
				(A)	(B)	(C)	(D)	(E)	(F)		
1	1	128670-49010	PIPE(B)	1	1						
2	1	121575-49020	PIPE(C)	1	1						
I 3	1	121370-49040	PIPE	1	1						Z
(A=E00726)											
4	1	128270-49050	PIPE(E)	1	1						
5	1	23000-022000	CLAMP 22	2	2						
6	1	23000-025000	CLAMP 25	6	6						
I 6-1	1	23000-025000	CLAMP 25	4	4						K
(A=E00726)											

(A)=3HM35 (D)=
 (B)=3HM35C (E)=
 (C)=3HM35F (F)=

Fig.38.COOLING WATER LINES

Fig. **38** CWパイプ
 COOLING WATER LINES

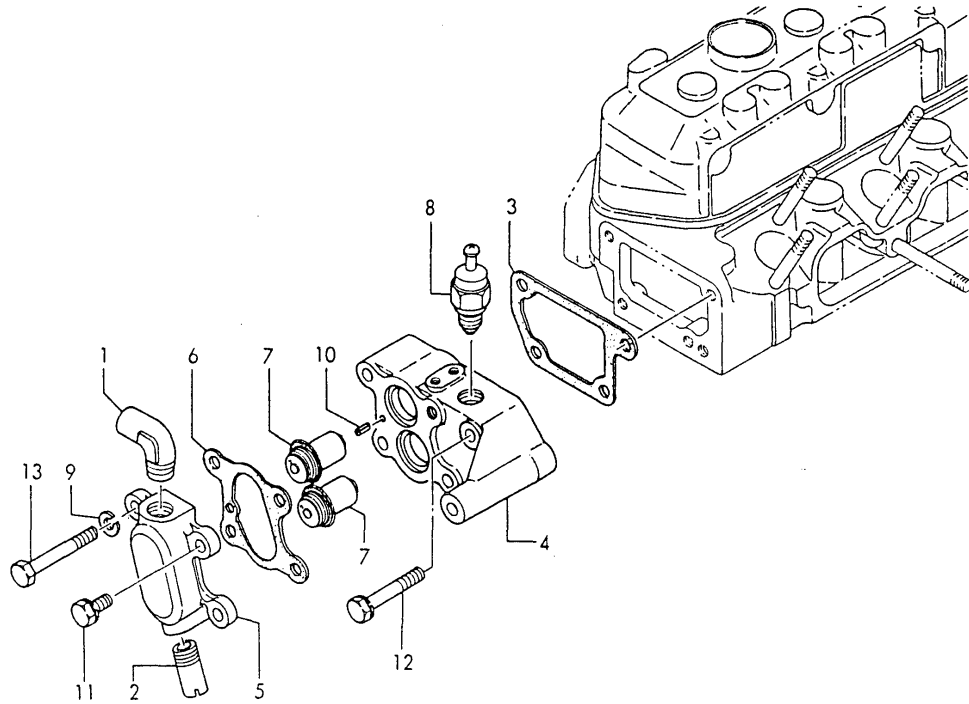


REF.	LEV.	PARTS NO.	DESCRIPTION	QTY						I	R
				(A)	(B)	(C)	(D)	(E)	(F)		
1	1	128690-49010	PIPE(B)						1		
2	1	124770-49040	PIPE						1		
3	1	121575-49310	CLAMP						1		
4	1	128695-49520	PIPE(E)						1		
5	1	128695-49530	PIPE(F)						1		
6	1	128695-49530	PIPE(F)						1		
7	1	23000-025000	CLAMP 25						4		
8	1	23000-041000	CLAMP 41						6		

(A)=3HM35 (D)=
 (B)=3HM35C (E)=
 (C)=3HM35F (F)=

Fig.39.THERMOSTAT

Fig. **39** サーモスタット
 THERMOSTAT

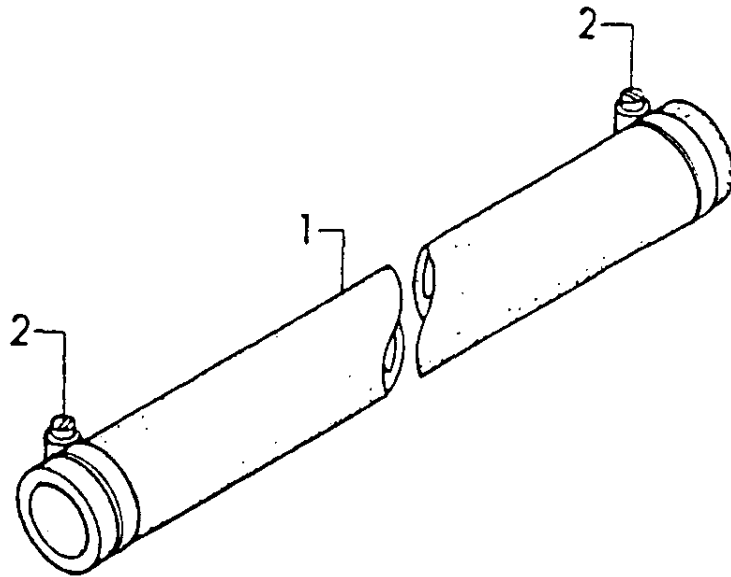


REF.	LEV.	PARTS NO.	DESCRIPTION	Q'TY						I	R
				(A)	(B)	(C)	(D)	(E)	(F)		
1	1	124070-13300	ELBOW PT3/8	1	1						
2	1	127610-42130	JOINT PT1/4	1	1						
3	1	121450-44410	GASKET,BRACKET	1	1						
4	1	121575-49100	BRACKET	1	1						
5	1	121575-49150	COVER,THERMOSTAT	1	1						
6	1	121575-49160	GASKET,COVER	1	1						
7	1	105582-49200	THERMOSTAT 42C	2	2						
8	1	128275-91340	SENDER,THERMO.65C	1	1						
9	1	22217-080000	SPRING WASHER 8	3	3						
10	1	22351-040008	SPRING PIN 4.0A	1	1						
11	1	26013-080202	BOLT M8X20	1	1						
12	1	26013-080502	BOLT M8X50	1	1						
13	1	26116-080602	BOLT M8X60	3	3						

(A)=3HM35 (D)=
 (B)=3HM35C (E)=
 (C)=3HM35F (F)=

Fig.41.COOLING WATER PIPE

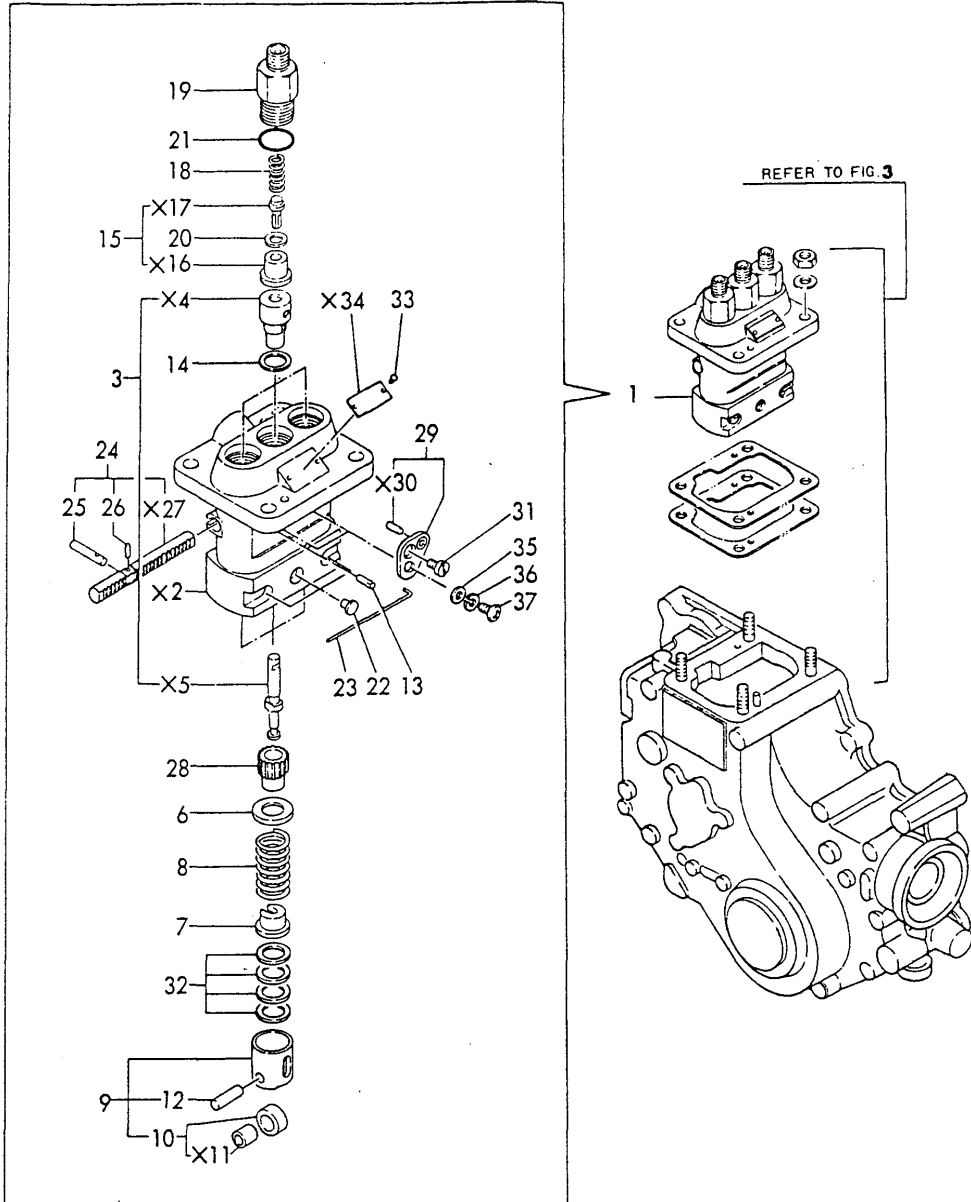
Fig. **41** CWパイプ
 COOLING WATER PIPE



REF.	LEV.	PARTS NO.	DESCRIPTION	QTY						I	R	
				(A)	(B)	(C)	(D)	(E)	(F)			
1	1	124223-49050	PIPE 17X1000							1		
2	1	23000-022000	CLAMP 22							2		

Fig.42.FUEL INJECTION PUMP

Fig. **42** FOポンプ
FUEL INJECTION PUMP



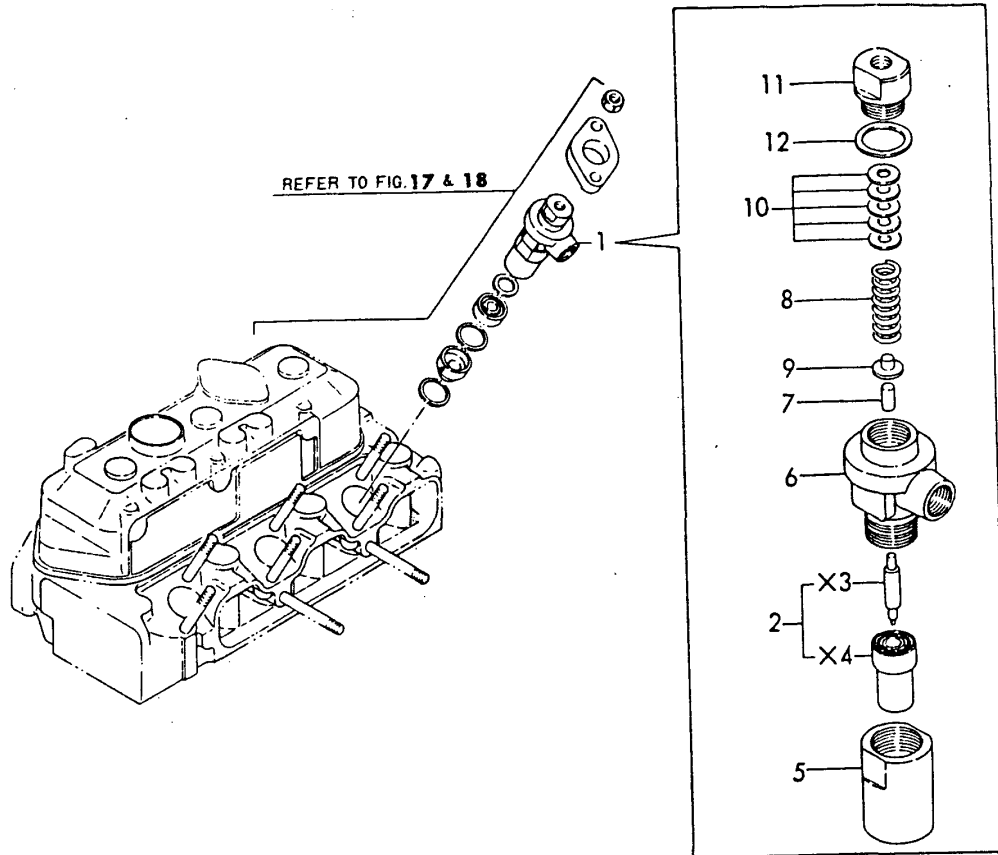
(A)=3HM35 (D)=
(B)=3HM35C (E)=
(C)=3HM35F (F)=

REF.	LEV.	PARTS NO.	DESCRIPTION	QTY						I	R
				(A)	(B)	(C)	(D)	(E)	(F)		
1	1	728671-51100	FUEL INJECTION PUMP	1	1	1					
3	2	128696-51100	PLUNGER W/BARREL	3	3	3					
6	2	174307-51170	RETAINER(A)	3	3	3					
7	2	174307-51181	RETAINER(B)	3	3	3					
8	2	124950-51190	SPRING, PLUNGER	3	3	3					
9	2	724550-51520	GUIDE ASSY, PLUNGER	3	3	3					
10	3	711100-51540	ROLLER ASSY, GUIDE	3	3	3					
12	3	174100-54120	PIN, ROLLER	3	3	3					
13	2	103854-51251	PIN, PLUNGER	1	1	1					
14	2	124950-51270	GASKET, BARREL	3	3	3					
15	2	128696-51300	VALVE W/SEAT	3	3	3					
18	2	124550-51320	SPRING, VALVE	3	3	3					
19	2	124550-51341	HOLDER, VALVE	3	3	3					
20	2	124550-51350	GASKET, VALVE	3	3	3					
21	2	124550-51370	O-RING, VALVE	3	3	3					
22	2	124950-51450	GUIDE PIECE	3	3	3					
23	2	121150-51460	PIN, GUIDE	1	1	1					
24	2	121450-51500	RACK ASSY	1	1	1					
25	3	121450-51550	PIN, RACK	1	1	1					
26	3	124550-51590	STOPPER PIN	1	1	1					
28	2	124950-51510	PINION	3	3	3					
29	2	124950-51640	PLATE ASSY	2	2	2					
31	2	103854-51660	SCREW, PLATE	2	2	2					
32	2	174307-51700	SHIM SET, PLUNGER	3	3	3					
33	2	124220-51890	RIVET, LABEL	2	2	2					
35	2	22117-050000	WASHER 5	2	2	2					
36	2	22217-050000	SPRING WASHER 5	2	2	2					
37	2	26587-050102	SCREW M 5X10	2	2	2					

(A)=3HM35 (D)=
 (B)=3HM35C (E)=
 (C)=3HM35F (F)=

Fig.44.FUEL INJECTION VALVE

Fig. **44** FOファンシャベン
 FUEL INJECTION VALVE

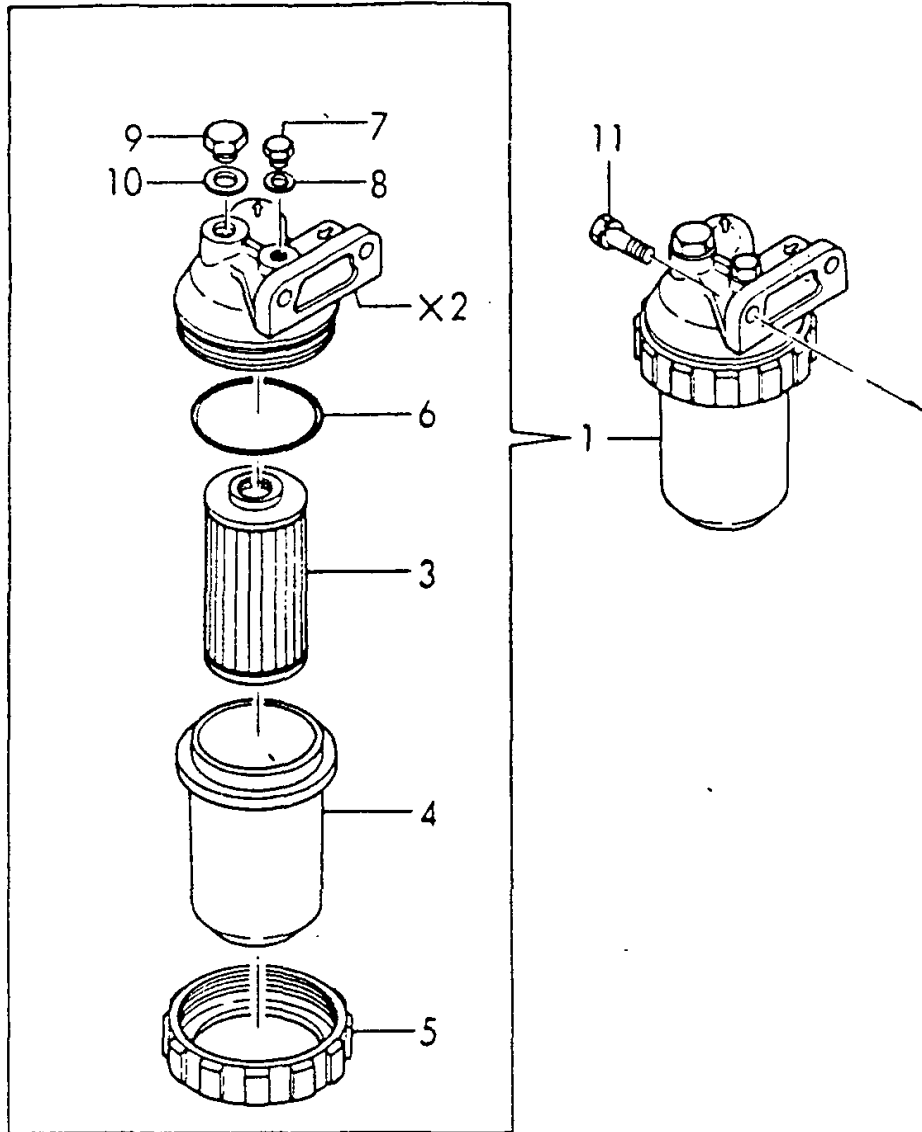


REF.	LEV.	PARTS NO.	DESCRIPTION	QTY						I	R
				(A)	(B)	(C)	(D)	(E)	(F)		
1	1	721500-53100	FUEL INJECTION VALVE	3	3	3					
2	2	124770-53000	NOZZLE W/BODY ASSY.	3	3	3					
5	2	104200-53080	NUT	3	3	3					
6	2	103854-53100	BODY, VALVE	3	3	3					
7	2	113200-53110	SPINDLE, INTER	3	3	3					
8	2	104211-53120	SPRING, NOZZLE	3	3	3					
9	2	113200-53120	SHOE, SPRING	3	3	3					
10	2	110250-53150	SHIM SET	3	3	3					
11	2	103854-53180	RETAINER, SPRING	3	3	3					
12	2	172100-53200	GASKET, RETAINER	3	3	3					

Fig.45.FUEL STRAINER

Fig. **45** FOストレーナ
FUEL STRAINER

(A)=3HM35 (D)=
(B)=3HM35C (E)=
(C)=3HM35F (F)=



REF.	LEV.	PARTS NO.	DESCRIPTION	QTY						I	R
				(A)	(B)	(C)	(D)	(E)	(F)		
1	1	124790-55601	STRAINER ASSY.,FUEL	1	1	1					
3	2	104500-55710	ELEMENT	1	1	1					
4	2	121370-55730	BOWL,ELEMENT	1	1	1					
5	2	110250-55610	RETAINER,BOWL	1	1	1					
6	2	24341-000440	O-RING 1A S44.0	1	1	1					
7	2	101720-55750	PLUG M6	1	1	1					
8	2	23418-060000	GASKET 6	1	1	1					
9	2	135210-51900	PLUG M8	1	1	1					
10	2	23414-080012	GASKET 8	1	1	1					
11	1	26013-060162	BOLT M6X16	2	2	2					

(A)=3HM35 (D)=
 (B)=3HM35C (E)=
 (C)=3HM35F (F)=

Fig.46.FUEL INJECTION LINES

Fig. **46** FOファンシャパイプ
 FUEL INJECTION LINES

REF.	LEV.	PARTS NO.	DESCRIPTION	QTY						I	R
				(A)	(B)	(C)	(D)	(E)	(F)		
1	1	123372-59100	RETAINER,PIPE	2	2						
2	1	121550-59810	PIPE, FUEL INJECTION	1	1						
3	1	121550-59820	PIPE, FUEL INJECTION	1	1						
4	1	121550-59830	PIPE, FUEL INJECTION	1	1						
5	1	121450-59850	BRACKET(A)	1	1						
6	1	121250-59860	BRACKET(B)	1	1						
7	1	26106-060102	BOLT M6X10	2	2						
8	1	121465-59950	BOLT	4	4						

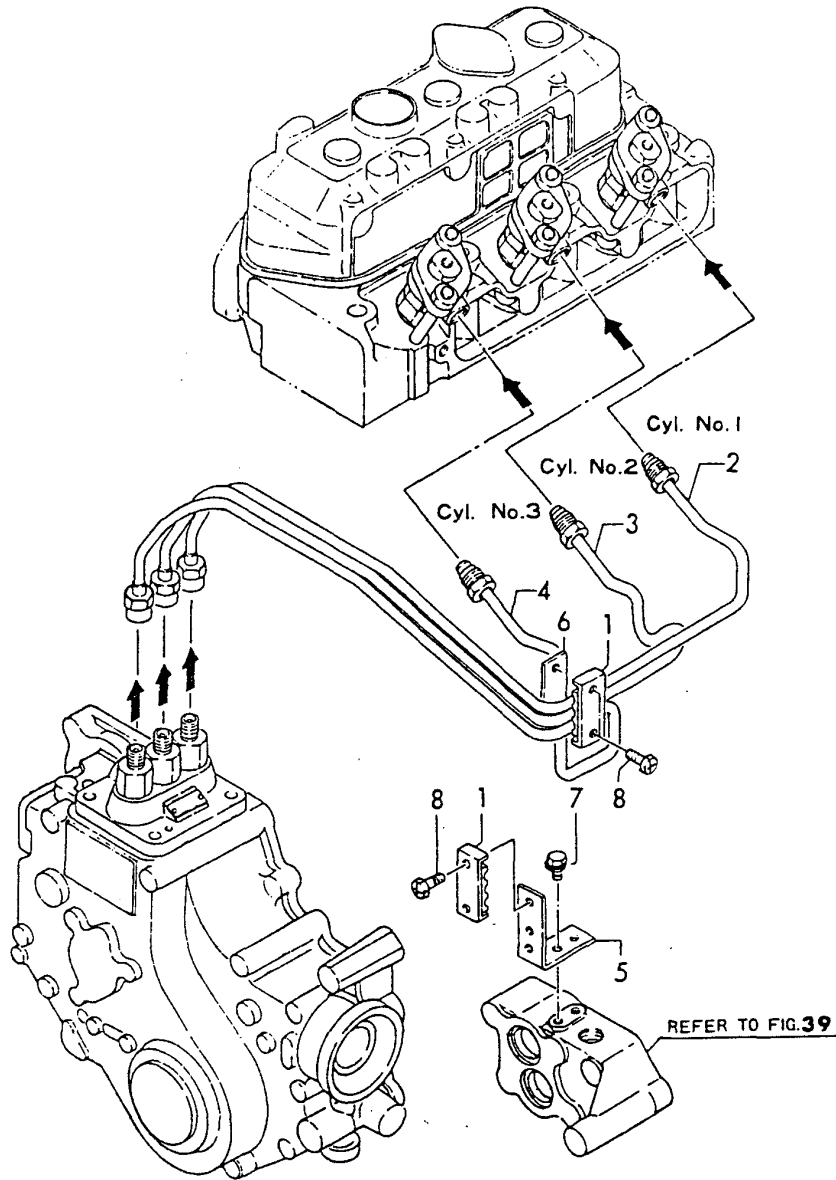
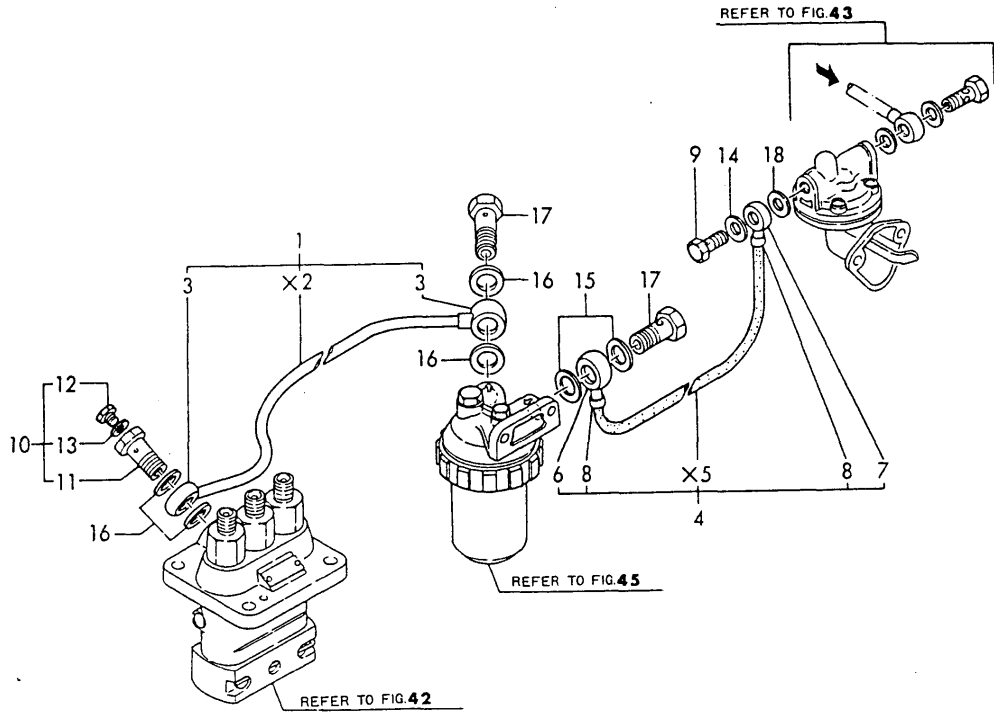


Fig.48.FUEL LINES

Fig. **48** FOパイプ FUEL LINES

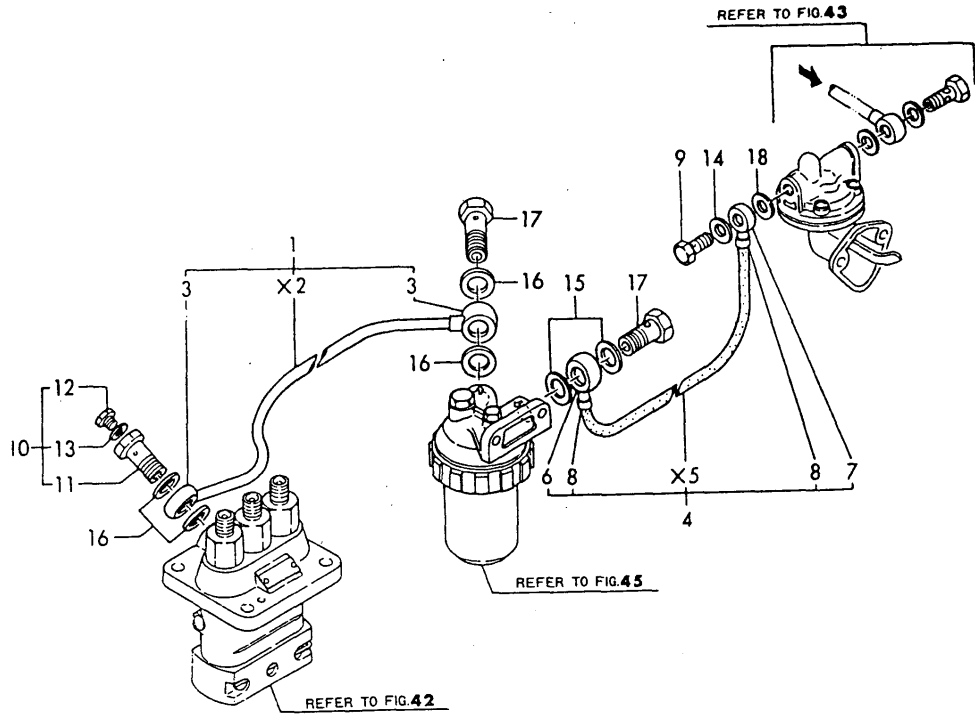


(A)=3HM35 (D)=
 (B)=3HM35C (E)=
 (C)=3HM35F (F)=

REF.	LEV.	PARTS NO.	DESCRIPTION	QTY						I	R
				(A)	(B)	(C)	(D)	(E)	(F)		
1	1	128670-59010	PIPE (A) ASSY, FUEL	1	1						
3	2	23341-060000	PIPE JOINT 6	2	2						
4	1	128670-59081	PIPE (B) ASSY, FUEL	1	1						
6	2	104264-59020	PIPE JOINT 12	1	1						
7	2	104264-59030	PIPE JOINT 8	1	1						
8	2	104264-59040	CAP	2	2						
9	1	105582-59150	BOLT 8, PIPE JOINT	1	1						
10	1	103854-59191	BOLT 12 W/PLUG	1	1						
11	2	103854-59201	BOLT 12, PIPE JOINT	1	1						
12	2	101720-55750	PLUG M 6	1	1						
13	2	43400-500390	SEAL WASHER 6S	1	1						
14	1	23414-080000	GASKET 8	1	1						
15	1	23414-120000	GASKET 12	2	2						
16	1	23414-120000	GASKET 12	4	4						
17	1	23857-060000	BOLT 6, PIPE JOINT	2	2						
18	1	104884-59170	GASKET 8	1	1						

Fig.49.FUEL LINES

Fig. **49** FOパイプ
FUEL LINES

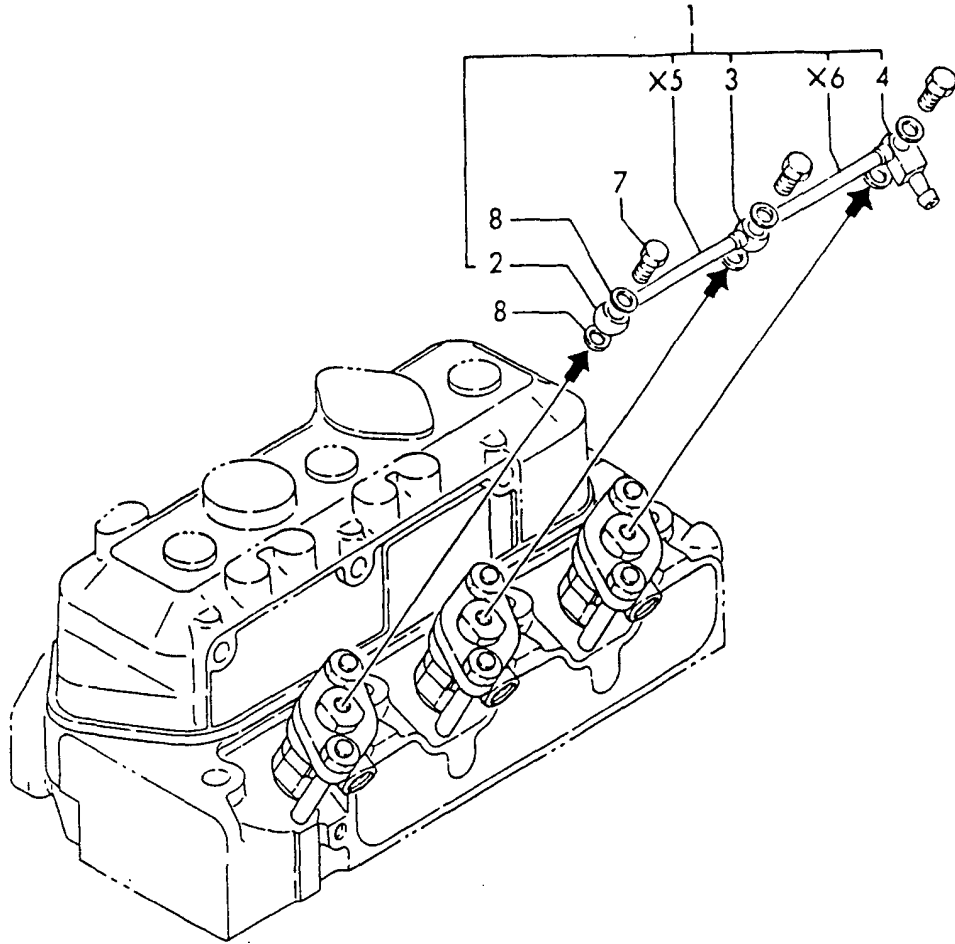


(A)=3HM35 (D)=
(B)=3HM35C (E)=
(C)=3HM35F (F)=

REF.	LEV.	PARTS NO.	DESCRIPTION	QTY						I	R
				(A)	(B)	(C)	(D)	(E)	(F)		
1	1	128690-59010	PIPE (A) ASSY, FUEL						1		
3	2	23341-060000	PIPE JOINT 6						2		
4	1	128370-59081	PIPE (B) ASSY, FUEL						1		
6	2	104264-59020	PIPE JOINT 12						1		
7	2	104264-59030	PIPE JOINT 8						1		
8	2	104264-59040	CAP						2		
9	1	105582-59150	BOLT 8, PIPE JOINT						1		
10	1	103854-59191	BOLT 12 W/PLUG						1		
11	2	103854-59201	BOLT 12, PIPE JOINT						1		
12	2	101720-55750	PLUG M 6						1		
13	2	43400-500390	SEA WASHER 6S						1		
14	1	23414-080000	GASKET 8						1		
15	1	23414-120000	GASKET 12						2		
16	1	23414-120000	GASKET 12						4		
17	1	23857-060000	BOLT 6, PIPE JOINT						2		
18	1	104884-59170	GASKET 8						1		

Fig.50.FUEL RETURN PIPE

Fig. **50** FOモードシパイプ
FUEL RETURN PIPE



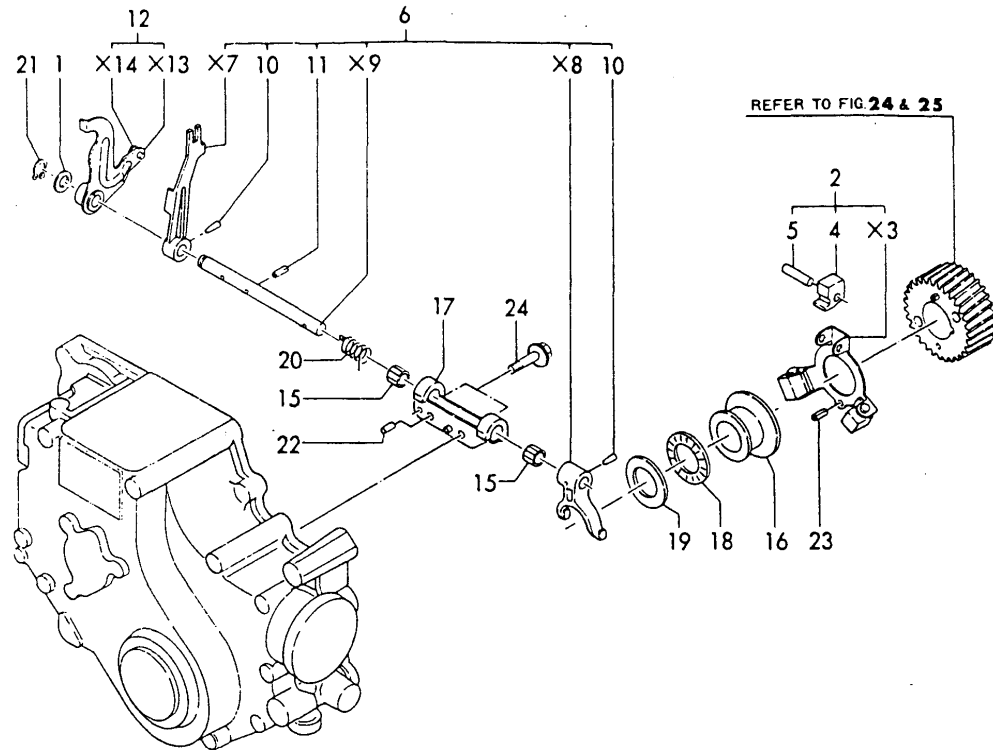
(A)=3HM35 (D)=
(B)=3HM35C (E)=
(C)=3HM35F (F)=

REF.	LEV.	PARTS NO.	DESCRIPTION	QTY						I	R
				(A)	(B)	(C)	(D)	(E)	(F)		
1	1	121575-59500	PIPE ASSY.,RETURN	1	1	1					
2	2	103288-39170	PIPE JOINT 8	1	1	1					
3	2	124450-39180	PIPE JOINT 8	1	1	1					
4	2	124790-59530	PIPE JOINT 8	1	1	1					
7	1	101147-59810	BOLT 8,PIPE JOINT	3	3	3					
8	1	23414-080000	GASKET 8	6	6	6					

(A)=3HM35 (D)=
 (B)=3HM35C (E)=
 (C)=3HM35F (F)=

Fig.51.GOVERNOR DRIVING

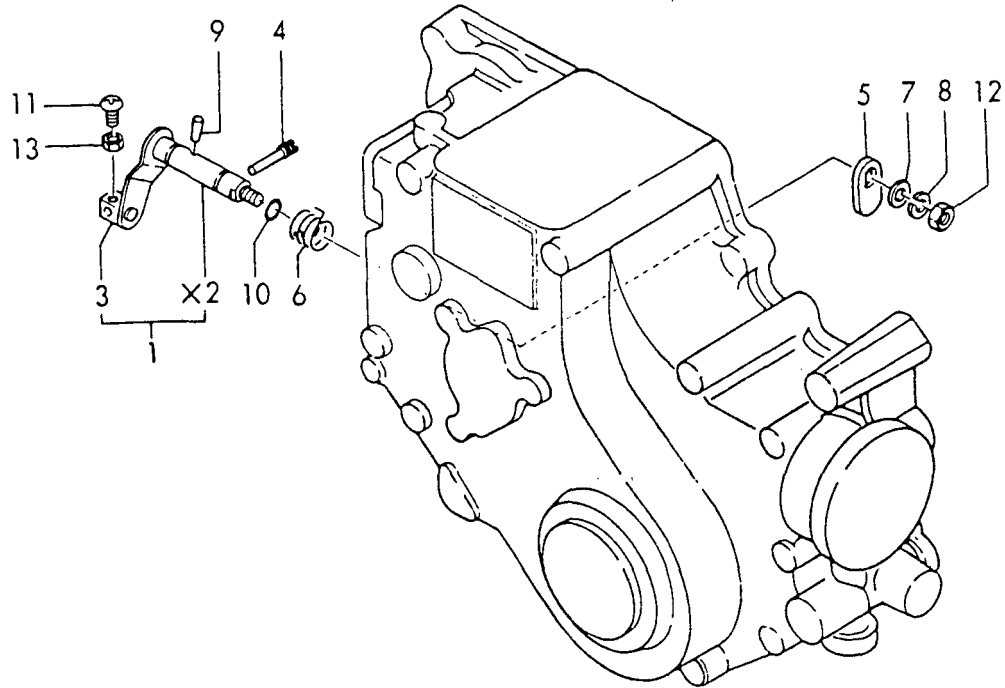
Fig. **51** ガバナクドウ
 GOVERNOR DRIVING



REF.	LEV.	PARTS NO.	DESCRIPTION	QTY						I	R
				(A)	(B)	(C)	(D)	(E)	(F)		
1	1	104211-42130	DISTANCE PIECE	1	1	1					
2	1	171016-61100	WEIGHT ASSY	1	1	1					
4	2	104200-61200	WEIGHT, GOVERNOR	3	3	3					
5	2	121575-61220	PIN, WEIGHT	3	3	3					
6	1	721500-61560	LEVER 1ST&2ND ASSY	1	1	1					
10	2	22322-030200	TAPER PIN 3X20	2	2	2					
11	2	22351-030012	SPRING PIN 3.0A	1	1	1					
12	1	121575-61160	LEVER ASSY, CONTROL	1	1	1					
15	1	122410-61650	NEEDLE BEARING	2	2	2					
16	1	121000-61600	SLEEVE, GOVERNOR	1	1	1					
17	1	121575-61620	SUPPORT, SHAFT	1	1	1					
18	1	121575-61710	NEEDLE BEARING	1	1	1					
19	1	121575-61720	COLLAR, THRUST	1	1	1					
20	1	121575-66310	SPRING, STARTING	1	1	1					
21	1	22242-000100	CIRCLIP 10-S	1	1	1					
22	1	22312-040080	PARALLEL PIN 4X 8	2	2	2					
23	1	22351-040008	SPRING PIN 4.0A	2	2	2					
24	1	26106-060282	BOLT M 6X28	2	2	2					

Fig.55.ENGINE STOP DEVICE

Fig. **55** エンジンストップソウチ
ENGINE STOP DEVICE



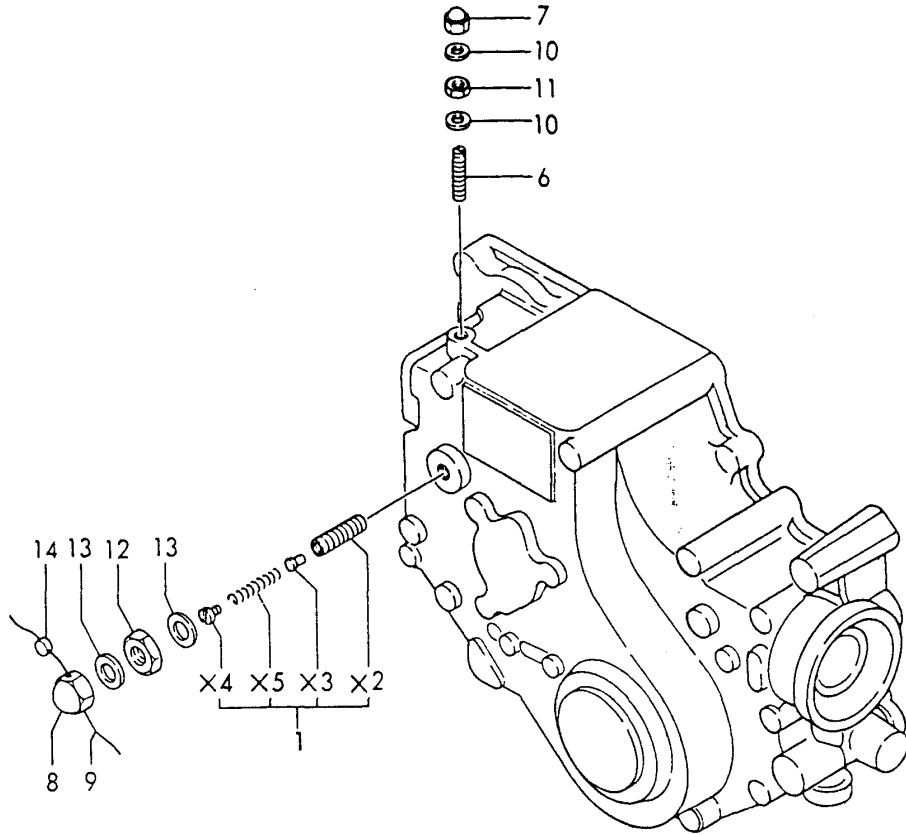
(A)=3HM35 (D)=
(B)=3HM35C (E)=
(C)=3HM35F (F)=

REF.	LEV.	PARTS NO.	DESCRIPTION	QTY						I	R
				(A)	(B)	(C)	(D)	(E)	(F)		
1	1	121575-66510	LEVER ASSY.,STOP	1	1	1					
3	2	104211-03770	CONNECTOR,CABLE	1	1	1					
4	1	124250-03640	SCREW,STOPPER	1	1	1					
5	1	121575-66550	CAM,ENGINE STOP	1	1	1					
6	1	121575-66580	SPRING,RETURN	1	1	1					
7	1	22117-060000	WASHER 6	1	1	1					
8	1	22217-060000	SPRING WASHER 6	1	1	1					
9	1	22322-030150	TAPER PIN 3X15	1	1	1					
10	1	24311-000070	O-RING 1A P7.0	1	1	1					
11	1	26557-050122	SCREW M5X12	1	1	1					
12	1	26716-060002	NUT M6	1	1	1					
13	1	26756-050002	LOCK NUT M5	1	1	1					

(A)=3HM35 (D)=
 (B)=3HM35C (E)=
 (C)=3HM35F (F)=

Fig.54.FUEL INJECTION CONTROLLER

Fig. **54** セイゲンソウチ
 FUEL INJECTION CONTROLLER

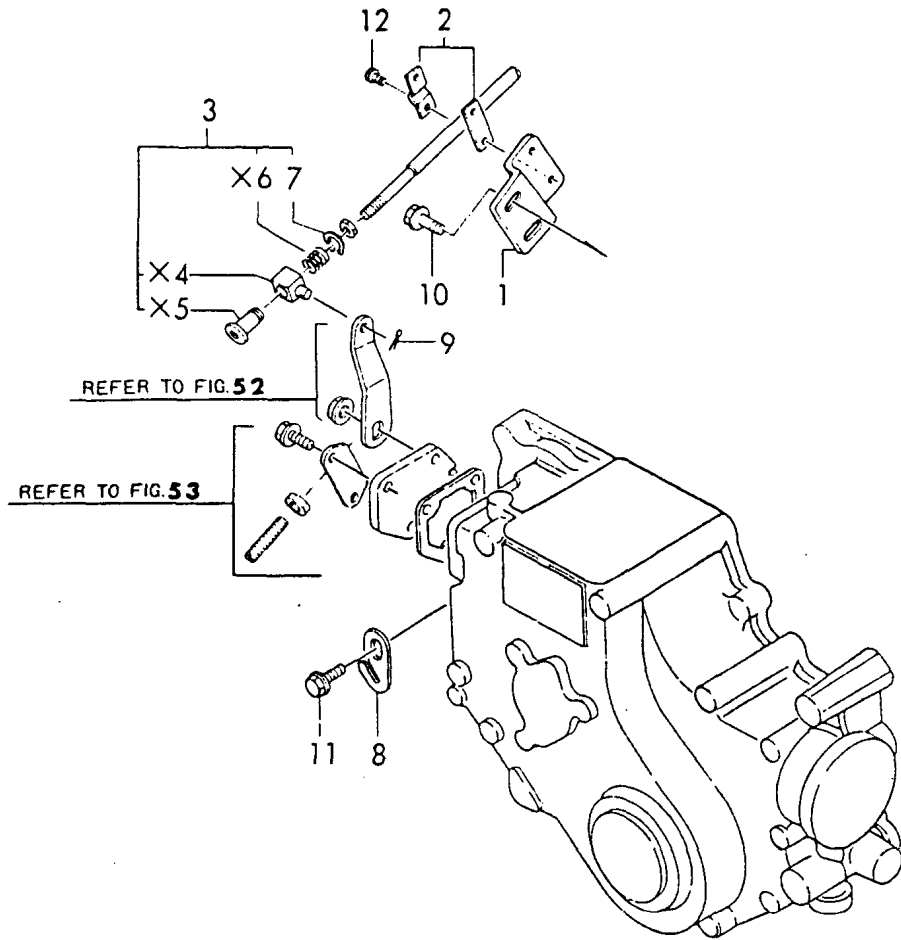


REF.	LEV.	PARTS NO.	DESCRIPTION	QTY						I	R
				(A)	(B)	(C)	(D)	(E)	(F)		
1	1	128270-66550	CONTROLLER ASSY.	1	1	1					
6	1	121575-66830	SCREW M6,ADJUSTING	1	1	1					
7	1	128170-66870	CAP NUT M 6	1	1	1					
8	1	128170-66880	CAP NUT M12	1	1	1					
9	1	22451-100000	WIRE 1.0	1	1	1					
10	1	23414-060000	GASKET 6	2	2	2					
11	1	26756-060002	LOCK NUT M 6	1	1	1					
12	1	128170-66890	LOCK NUT M12	1	1	1					
13	1	43400-500450	SEAL WASHER 12	2	2	2					
14	1	135210-61090	LEAD,SEALING	1	1	1					

(A)=3HM35 (D)=
 (B)=3HM35C (E)=
 (C)=3HM35F (F)=

Fig.56.SPEED REMOTE CONTROL

Fig. **56** スピードリモコン
 SPEED REMOTE CONTROL



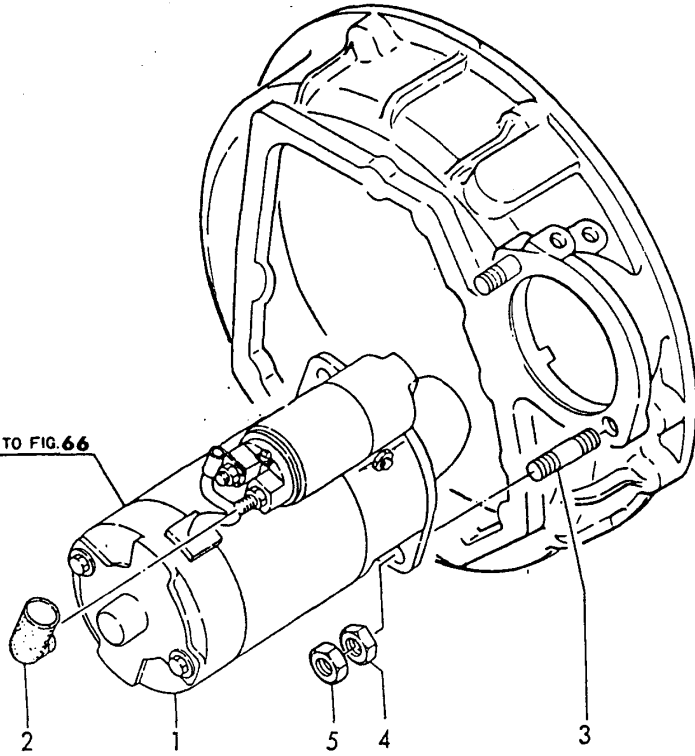
REF.	LEV.	PARTS NO.	DESCRIPTION	QTY						I	R
				(A)	(B)	(C)	(D)	(E)	(F)		
1	1	105311-67100	BRACKET,CABLE	1	1	1					
2	1	41710-000410	CLAMP,CABLE	1	1	1					
3	1	105311-67200	CONNECTOR ASSY.	1	1	1					
7	2	22242-000100	CIRCLIP 10-S	1	1	1					
8	1	121575-67580	BRACKET,CABLE	1	1	1					
9	1	22414-250150	COTTER PIN 2.5X15	1	1	1					
10	1	26106-060102	BOLT M6X10	2	2	2					
11	1	26106-060122	BOLT M6X12	1	1	1					
12	1	26557-050122	SCREW M5X12	2	2	2					

(A)=3HM35 (D)=
 (B)=3HM35C (E)=
 (C)=3HM35F (F)=

Fig.57.STARTING MOTOR

Fig. **57** スタートイングモータ
 STARTING MOTOR

インナーパーツFIG.66参照
 COMPONENT PARTS. REFER TO FIG.66



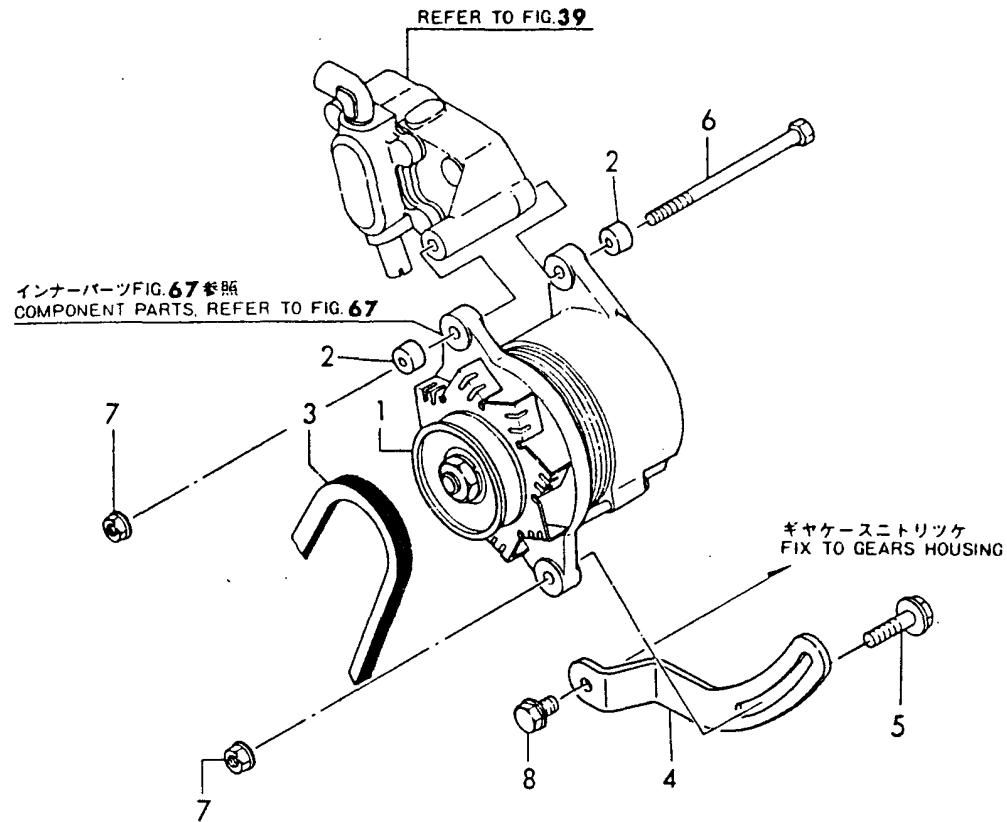
REF.	LEV.	PARTS NO.	DESCRIPTION	QTY						I	R	
				(A)	(B)	(C)	(D)	(E)	(F)			
1	1	124250-77012	STARTING MOTOR	1	1	1						A
2	1	124550-77030	COVER,TERMINAL	1	1	1						
3	1	26226-120252	STUD M12X25	2	2	2						
4	1	26716-120002	NUT M12	2	2	2						
5	1	26756-080002	LOCK NUT M 8	1	1	1						

Remarks
 A) MAKER'S CODE : S12-77A

(A)=3HM35 (D)=
 (B)=3HM35C (E)=
 (C)=3HM35F (F)=

Fig.58.GENERATOR

Fig. **58** ゼネレータ
 GENERATOR

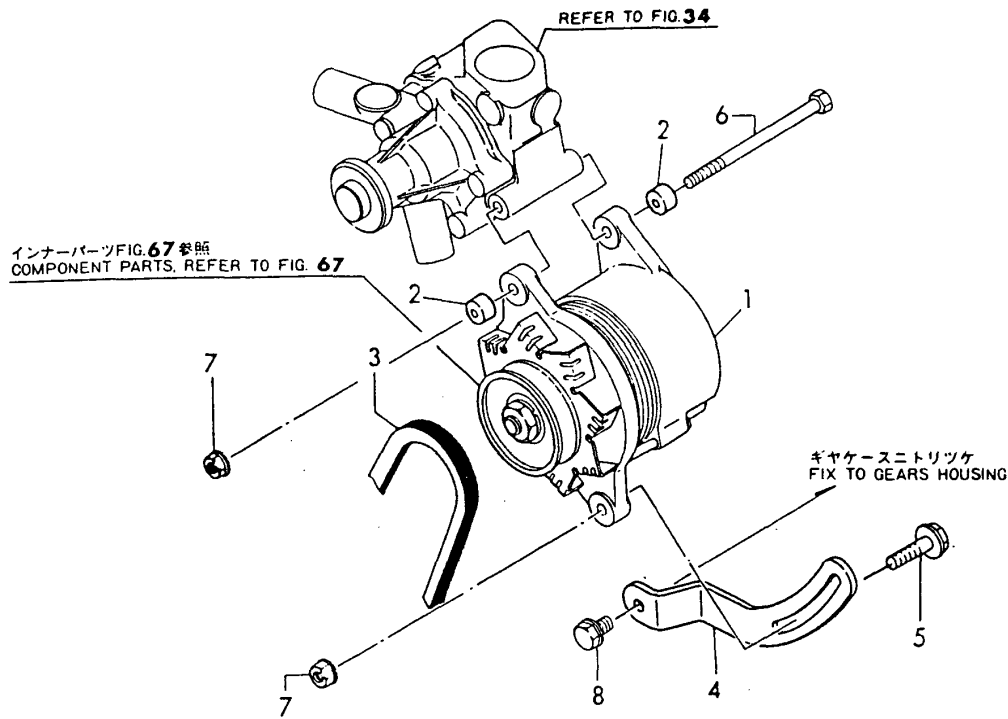


REF.	LEV.	PARTS NO.	DESCRIPTION	QTY						I	R
				(A)	(B)	(C)	(D)	(E)	(F)		
1	1	129772-77200	GENERATOR (CR155-20)	1	1						
2	1	124085-01900	GUIDE, O-RING	2	2						
3	1	123672-77370	V-BELT(A:33INCH)	1	1						
4	1	128671-77330	ADJUSTER, BELT	1	1						
5	1	26106-080302	BOLT M 8X 30	1	1						
6	1	128270-77340	BOLT M 8X120	1	1						
7	1	26366-080002	NUT M 8	2	2						
8	1	26106-100162	BOLT M10X 16	1	1						

(A)=3HM35 (D)=
 (B)=3HM35C (E)=
 (C)=3HM35F (F)=

Fig.59.GENERATOR

Fig. **59** ゼネレータ
 GENERATOR

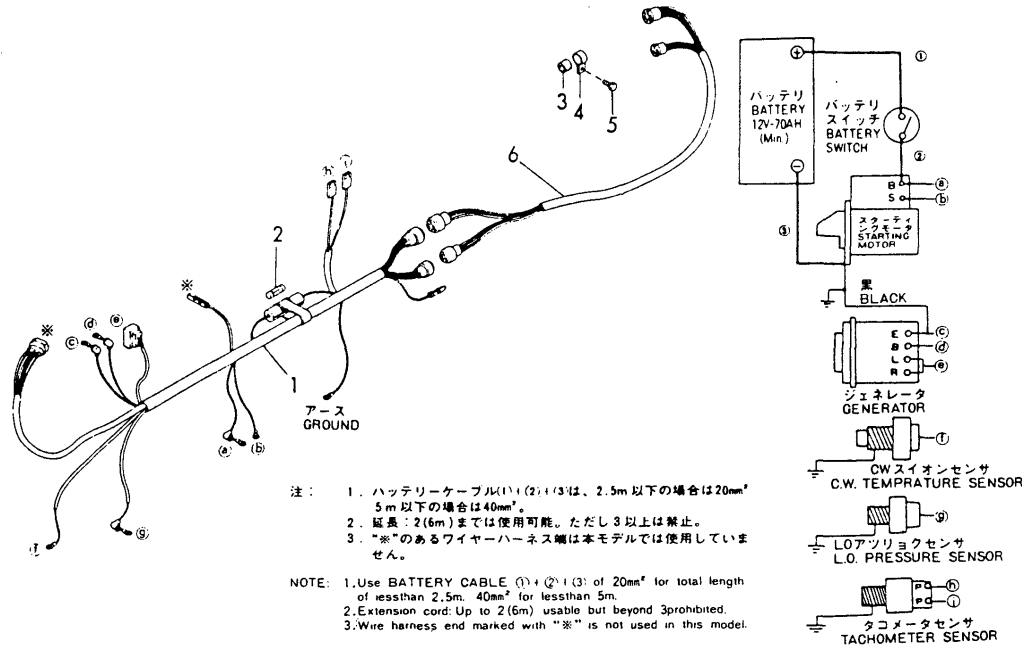


REF.	LEV.	PARTS NO.	DESCRIPTION	QTY						I	R		
				(A)	(B)	(C)	(D)	(E)	(F)				
1	1	129772-77200	GENERATOR (LR155-20										
2	1	124085-01900	GUIDE, O-RING										
3	1	121252-42290	V-BELT(A:40INCH										
4	1	128671-77330	ADJUSTER, BELT										
5	1	26106-080302	BOLT M 8X 30										
6	1	128270-77340	BOLT M 8X120										
7	1	26366-080002	NUT M 8										
8	1	26106-100162	BOLT M10X 16										

Fig.60.WIRE HARNESS

(A)=3HM35 (D)=
 (B)=3HM35C (E)=
 (C)=3HM35F (F)=

Fig. **60** ワイヤハーネス WIRE HARNESS



- 注： 1. ハッテリーケーブル①②③は、2.5m 以下の場合は20mm²、5m 以下の場合は40mm²。
 2. 延長：2(6m)までは使用可能。ただし3以上は禁止。
 3. “※”のあるワイヤハーネス端は本モデルでは使用していません。

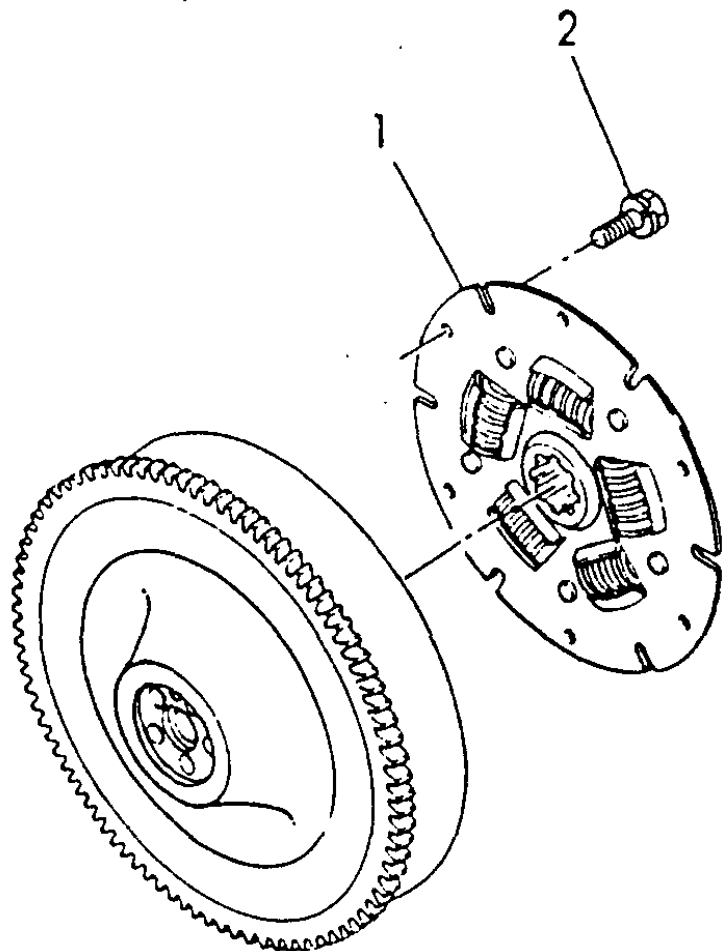
- NOTE: 1. Use BATTERY CABLE ①②③ of 20mm² for total length of less than 2.5m. 40mm² for less than 5m.
 2. Extension cord: Up to 2(6m) usable but beyond 3prohibited.
 3. Wire harness end marked with “※” is not used in this model.

REF.	LEV.	PARTS NO.	DESCRIPTION	----- QTY -----						I R
				(A)	(B)	(C)	(D)	(E)	(F)	
1	1	128270-77921	WIRE HARNESS	1	1	1				
2	2	29411-300000	FUSE 30A	1	1	1				
3	1	124770-77940	PROTECTOR, HARNESS	1	1	1				
4	1	124070-77950	CLAMP, WIRE	1	1	1				
5	1	26106-080142	BOLT M 8X14	1	1	1				
6	1	128170-77500	WIRE, EXTENSION	1	1	1				

(A)=3HM35 (D)=
 (B)=3HM35C (E)=
 (C)=3HM35F (F)=

Fig.62.DAMPER DISK

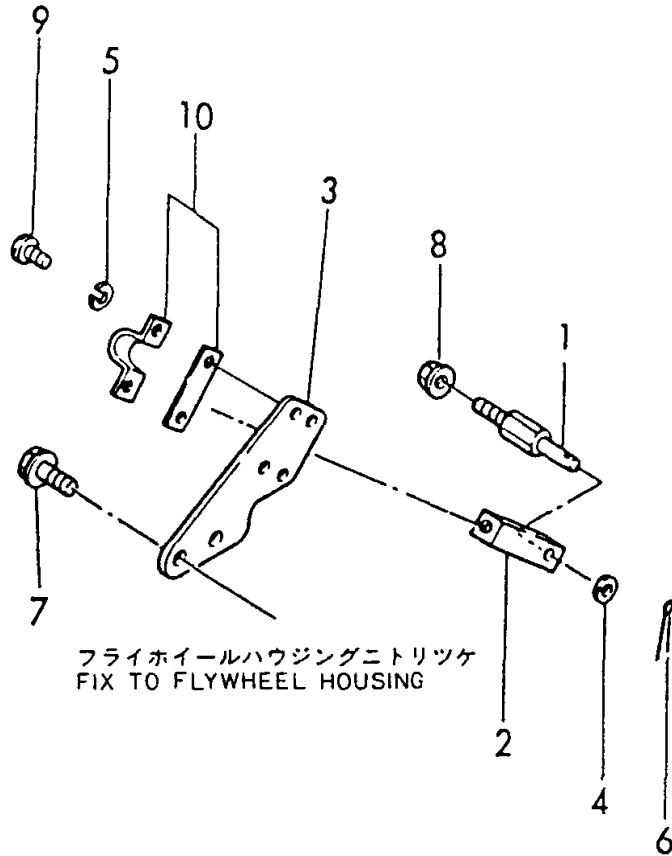
Fig. 62 ダンパディスク DUMPER DISK



REF.	LEV.	PARTS NO.	DESCRIPTION	QTY						I	R	
				(A)	(B)	(C)	(D)	(E)	(F)			
1	1	177099-03500	DISK, DAMPER		1							
2	1	26013-080142	BOLT M 8X14		6							

Fig.63.CLUTCH REMOTE CONTROL

Fig. **63** クラッチリモコン
CLUTCH REMOTE CONTROL



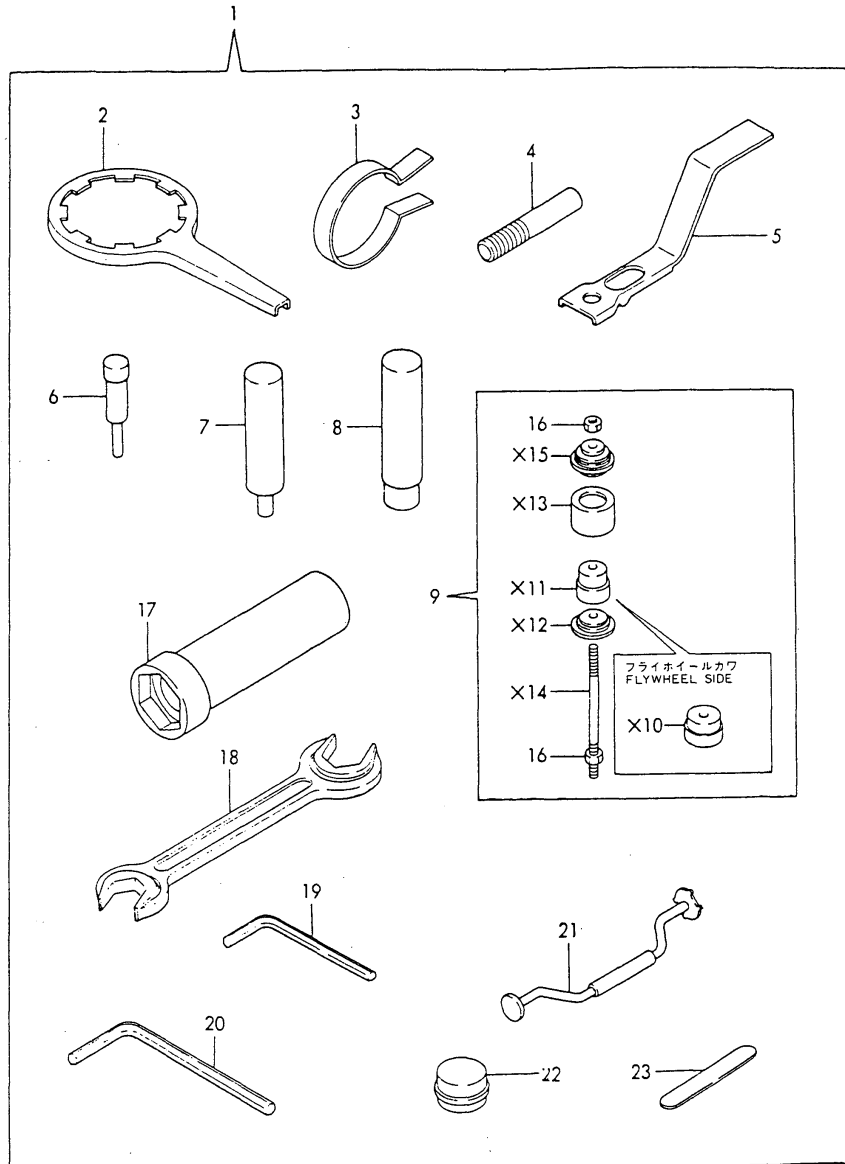
(A)=3HM35 (D)=
(B)=3HM35C (E)=
(C)=3HM35F (F)=

REF.	LEV.	PARTS NO.	DESCRIPTION	QTY						I	R
				(A)	(B)	(C)	(D)	(E)	(F)		
1	1	128670-86250	JOINT	1		1					
2	1	128370-86280	CLEVIS	1		1					
3	1	128670-86300	BRACKET	1		1					
4	1	22113-060000	WASHER 6	1		1					
5	1	22217-050000	SPRING WASHER 5	2		2					
6	1	22414-160100	COTTER PIN 1.6X10	1		1					
7	1	26106-060142	BOLT M 6X14	2		2					
8	1	26366-060002	NUT M 6	1		1					
9	1	26557-050122	SCREW M 5X12	2		2					
10	1	41710-000410	CLAMP	1		1					

(A)=3HM35 (D)=
 (B)=3HM35C (E)=
 (C)=3HM35F (F)=

Fig.65.SPECIAL TOOLS

Fig. **65** トクシュコウグ
 SPECIAL TOOLS



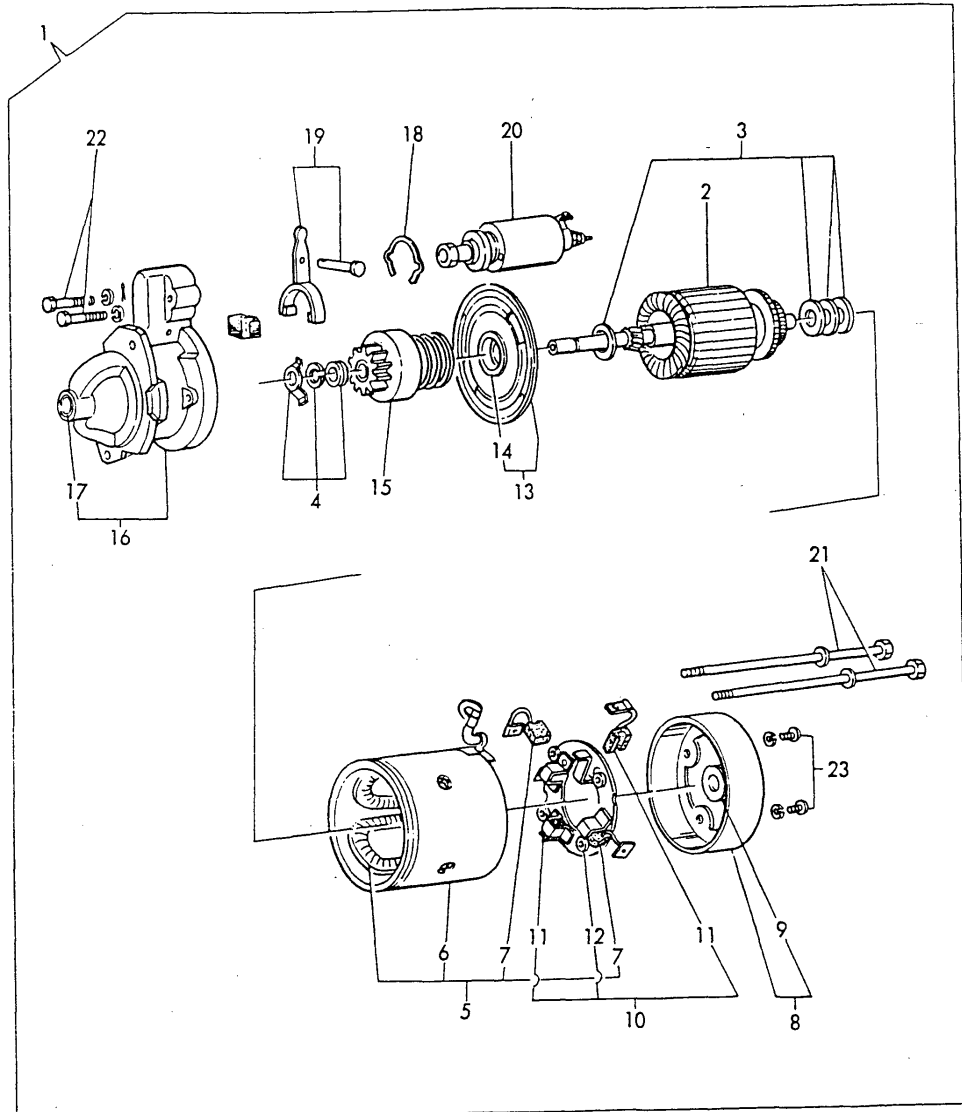
REF.	LEV.	PARTS NO.	DESCRIPTION	----- QTY -----						I R
				(A)	(B)	(C)	(D)	(E)	(F)	
1	1	728671-92400	TOOLS SET, SPECIAL	1	1	1				A
2	2	124550-35350	WRENCH, STRAINER	1	1	1				
3	2	102700-92140	TOOLS, PISTON	1	1	1				
4	2	101104-92180	TOOLS	1	1	1				
5	2	124085-92210	WRENCH, VALVE	1	1	1				
6	2	124085-92250	WRENCH, VALVE GUIDE	1	1	1				
7	2	128670-92260	WRENCH, PISTON PIN	1	1	1				
8	2	128670-92270	WRENCH, BUSH	1	1	1				
9	2	128670-92400	WRENCH SET, BEARING	1	1	1				
16	3	26716-160002	NUT M16	2	2	2				
17	2	124085-92700	WRENCH	1	1	1				
18	2	28110-270300	WRENCH 27X30	1	1	1				
19	2	28150-040000	BAR WRENCH 4	1	1	1				
20	2	28150-050000	BAR WRENCH 5	1	1	1				
21	2	28210-000031	HANDLE, LAPPING	1	1	1				
22	2	28210-000070	POWDER, LAPPING	1	1	1				
23	2	28312-150750	THICKNESS GAUGE 0.15	1	1	1				

Remarks
 A)3HM35, 3HM35F : OPTIONAL PARTS

(A)=3HM35 (D)=
 (B)=3HM35C (E)=
 (C)=3HM35F (F)=

Fig.66.STARTING MOTOR COMPONENT PARTS

Fig. **66** スターティングモータ インナーパーツ
 STARTING MOTOR COMPONENT PARTS



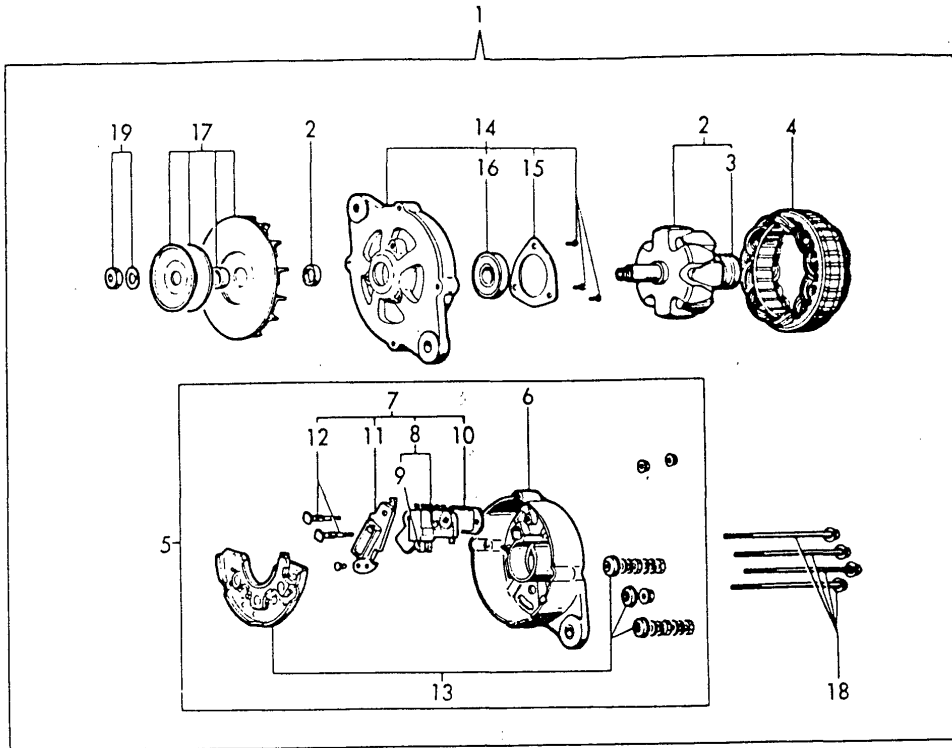
REF.	LEV.	PARTS NO.	DESCRIPTION	QTY						I R	
				(A)	(B)	(C)	(D)	(E)	(F)		
1	1	124250-77012	STARTING MOTOR	1	1	1					A
2	2	X21207100	ARMATURE ASSY.	1	1	1					
3	2	X21201115	WASHER KIT,THRUST	1	1	1					
4	2	X21201110	STOPPER SET,PINION	1	1	1					
5	2	X21204259	COIL ASSY.,FIELD	1	1	1					
6	3	X21142215	SCREW SET,POLECORE	4	4	4					
7	3	X21209311	BRUSH(+)	2	2	2					
8	2	X212063001	COVER ASSY.,REAR	1	1	1					
9	3	X21204302	METAL,REAR COVER	1	1	1					
10	2	X21205310	HOLDER ASSY.,BRUSH	1	1	1					
11	3	X21207312	BRUSH(-)	2	2	2					
12	3	X21201313	SPRING,BRUSH	4	4	4					
13	2	X21205400	BEARING ASSY.,CENTER	1	1	1					
14	3	X21204401	METAL,CENTER BEARING	1	1	1					
15	2	X213065002	PINION ASSY.	1	1	1					
16	2	X212026004	CASE ASSY.,GEAR	1	1	1					
17	3	X21202601	METAL,GEAR CASE	1	1	1					
18	2	X21202602	COVER SET,DUST	1	1	1					
19	2	X21201605	LEVER SET,SHIFT	1	1	1					
20	2	X212037002	SWITCH ASSY.,MAGNET	1	1	1					
21	2	X21204810	BOLT,THROUGH	2	2	2					
22	2	X21145866	BOLT SET,SWITCH	2	2	2					
23	2	X0630412	SCREW M4X12	2	2	2					

Remarks
 A) MAKER'S CODE : S12-77A

(A)=3HM35 (D)=
 (B)=3HM35C (E)=
 (C)=3HM35F (F)=

Fig.67.GENERATOR COMPONENT PARTS

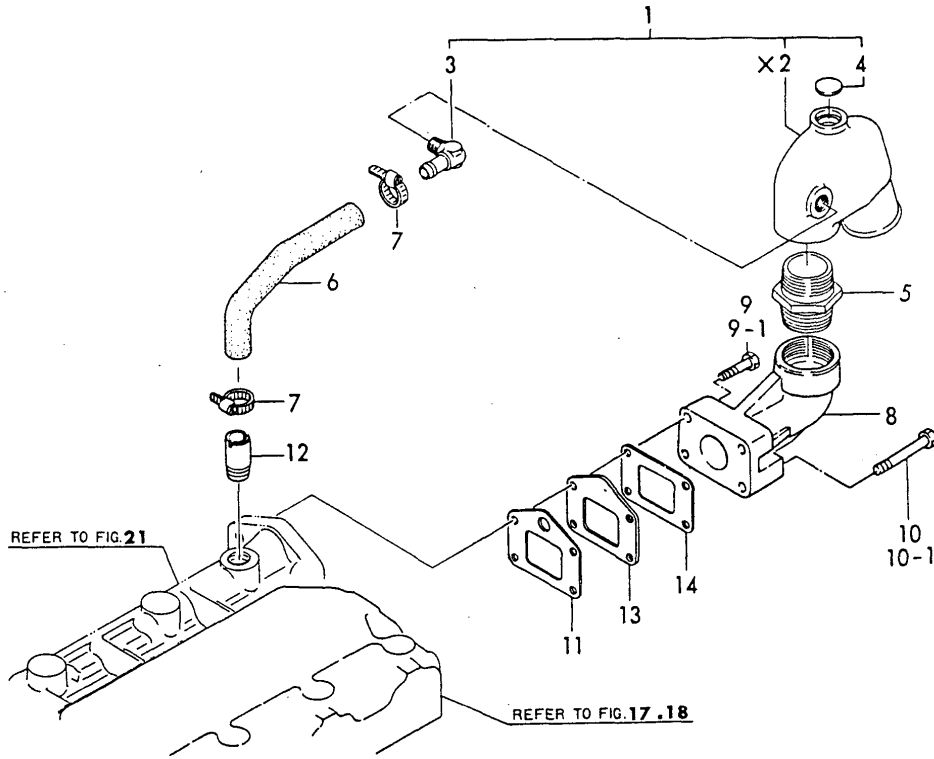
Fig.67 ゼネレータ インナーパーツ
 GENERATOR COMPONENT PARTS



REF.	LEV.	PARTS NO.	DESCRIPTION	QTY						I	R
				(A)	(B)	(C)	(D)	(E)	(F)		
1	1	129772-77200	GENERATOR 12V-600W	1	1	1					
2	2	XL15571001	ROTOR ASSY.	1	1	1					
3	3	X6201SD	BALL BEARING 6201SD	1	1	1					
4	2	XL15542001	STATER ASSY.	1	1	1					
5	2	XL15553002	COVER ASSY.,REAR	1	1	1					
6	3	XL22553012	COVER,REAR	1	1	1					
7	3	XL1556315	REGURATOR ASSY.	1	1	1					
8	4	XL2255330	BRUSH ASSY.	1	1	1					A
9	4	XL12013262	BRUSH	2	2	2					
10	4	XTR1Z63	IC REGURATOR	1	1	1					
11	4	XL2251318	CONDENCER ASSY.	1	1	1					
12	4	XL13513134	BOLT M5	2	2	2					
13	3	XL2253320	DIODE ASSY.	1	1	1					
14	2	XL2253400	FRONT COVER ASSY.	1	1	1					
15	3	XL15014042	BEARING RETAINER	1	1	1					
16	3	X6203BM	BALL BEARING	1	1	1					
17	2	XL22555001	PULLEY ASSY.	1	1	1					
18	2	XL15018015	BOLT,THROUGH	4	4	4					
19	2	XL1501810	NUT ASSY.,PULLEY	1	1	1					
20	2	XL15028001	SCREW KIT	1	1	1					

Fig.68.MIXING ELBOW

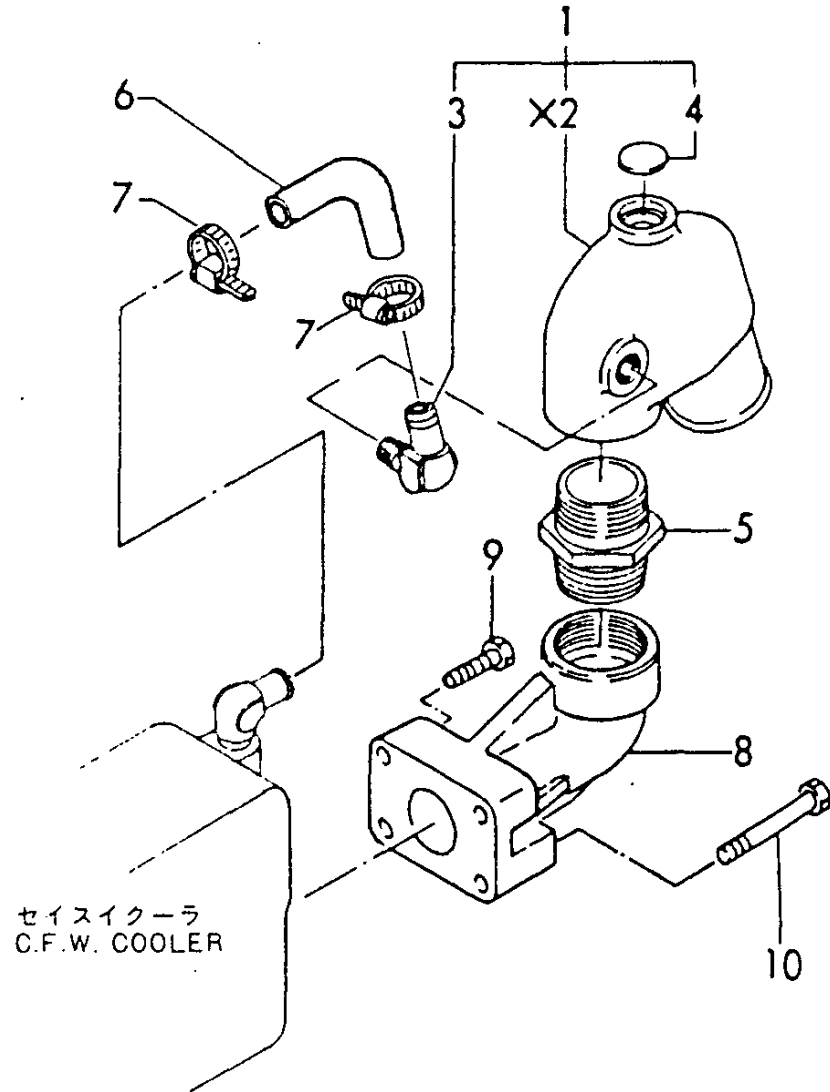
Fig.68 ミキシングエルボ
MIXING ELBOW



(A)=3HM35 (D)=
(B)=3HM35C (E)=
(C)=3HM35F (F)=

REF.	LEV.	PARTS NO.	DESCRIPTION	QTY						I	R
				(A)	(B)	(C)	(D)	(E)	(F)		
1	1	124070-13520	MIXING ELBOW(U-TYPE)	1	1						
3	2	124070-13300	ELBOW PT3/8	1	1						
4	2	27233-250000	PLUG 25	1	1						
5	1	104214-13580	JOINT	1	1						
6	1	128370-49250	PIPE	1	1						
7	1	23000-025000	CLAMP 25	2	2						
8	1	128370-13610	ELBOW,EXHAUST	1	1						
9	1	26116-080402	BOLT M 8X 40	2	2						
9-1	1	26203-080452	BOLT M 8X 45	2	2						S
(A=E00726)											
10	1	26116-080602	BOLT M 8X 60	2	2						
10-1	1	26203-080652	BOLT M 8X 65	2	2						S
(A=E00726)											
11	1	128370-13230	GASKET	1	1						W
(A=E00726)											
12	2	121575-49300	JOINT PT 3/8, PIPE	1	1						W
(A=E00726)											
13	2	128370-13220	SPACER	1	1						W
(A=E00726)											
14	1	128370-13200	GASKET	1	1						

Fig. **69** ミキシングエルボ
MIXING ELBOW



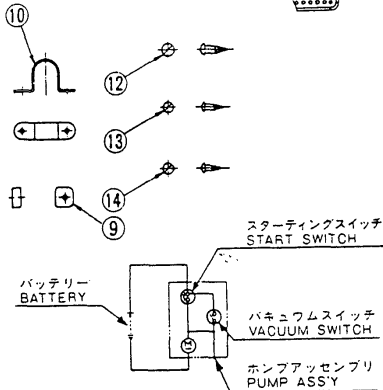
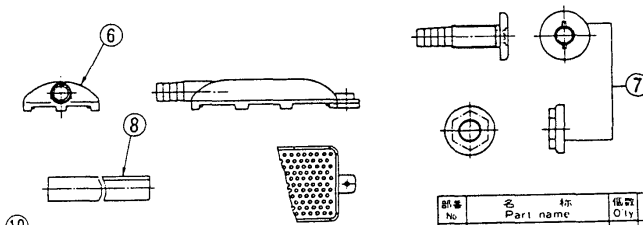
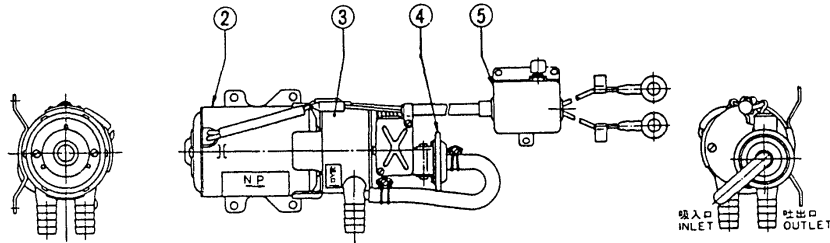
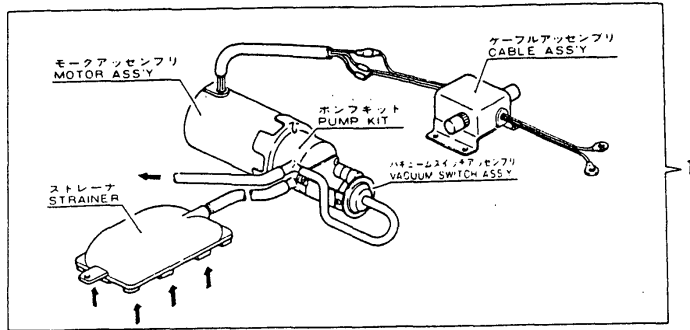
(A)=3HM35 (D)=
(B)=3HM35C (E)=
(C)=3HM35F (F)=

REF.	LEV.	PARTS NO.	DESCRIPTION	QTY						I	R	
				(A)	(B)	(C)	(D)	(E)	(F)			
1	1	124070-13520	MIXING ELBOW(U-TYPE)				1					
3	2	124070-13300	ELBOW PT3/8				1					
4	2	27233-250000	PLUG 25				1					
5	1	104214-13580	JOINT				1					
6	1	128690-49250	PIPE				1					
7	1	23000-025000	CLAMP 25				2					
8	1	128370-13610	ELBOW,EXHAUST				1					
9	1	26116-080402	BOLT M8X40				2					
10	1	26116-080602	BOLT M8X60				2					

(A)=3HM35 (D)=
 (B)=3HM35C (E)=
 (C)=3HM35F (F)=

Fig.71.BILGE PUMP 12V

Fig.71 ビルジポンプ 12V
 BILGE PUMP 12V



結線図
 CONNECT. WIRE PLAN

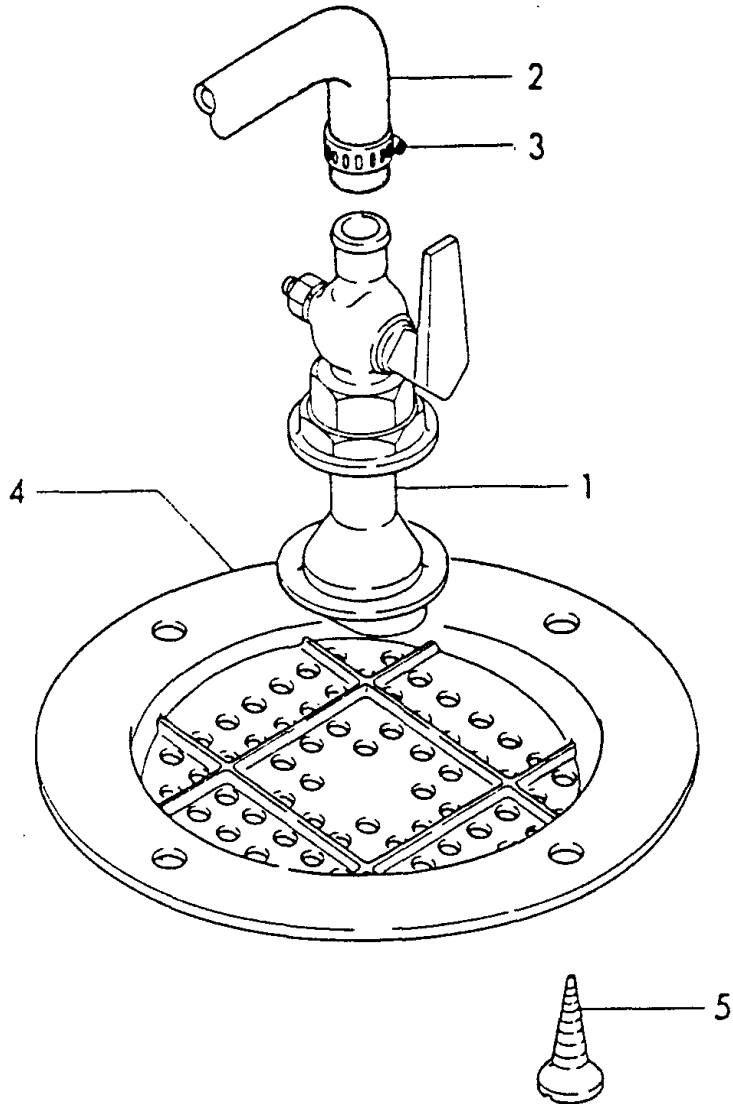
部番 No.	全 Part name	数量 Qty	メーカー番 Maker No.
①	ポンプアッセンブリ PUMP ASS'Y	1	B P 190-1110
②	モータアッセンブリ MOTOR ASS'Y	1	B P 190-2200
③	ポンプキット PUMP KIT	1	B P 190-1300
④	バキュームスイッチアッセンブリ VACUUM SWITCH ASS'Y	1	B P 190-2400
⑤	ケーブルアッセンブリ CABLE ASS'Y	1	B P 190-5500
⑥	ストレーナ STRAINER	1	B P 190-2810
⑦	トシユツクテ OUTLET	1	B P 190-1820
⑧	ホース HOSE	1	B P 190-1830
⑨	スペーサ SPACER	1	B P 190-1910
⑩	クランプ CLAMP	1	B P 190-1920
⑪	スクリユースセット SCREW SET	1	B P 190-1950
⑫	φ5.1×16スクリユ φ5.1×16SCREW	4	
⑬	φ4.1×20スクリユ φ4.1×20SCREW	1	
⑭	φ4.0×10スクリユ φ4.0×10SCREW	5	
⑮	インペラキット IMPELLER KIT	1	B P 190-1310

REF.	LEV.	PARTS NO.	DESCRIPTION	QTY						I	R
				(A)	(B)	(C)	(D)	(E)	(F)		
1	1	977782-00121	BILGE PUMP 12V	1	1	1					
2	2	977782-00300	IMPELLER SET	1	1	1					

(A)=3HM35 (D)=
 (B)=3HM35C (E)=
 (C)=3HM35F (F)=

Fig.72.KINGSTON COCK

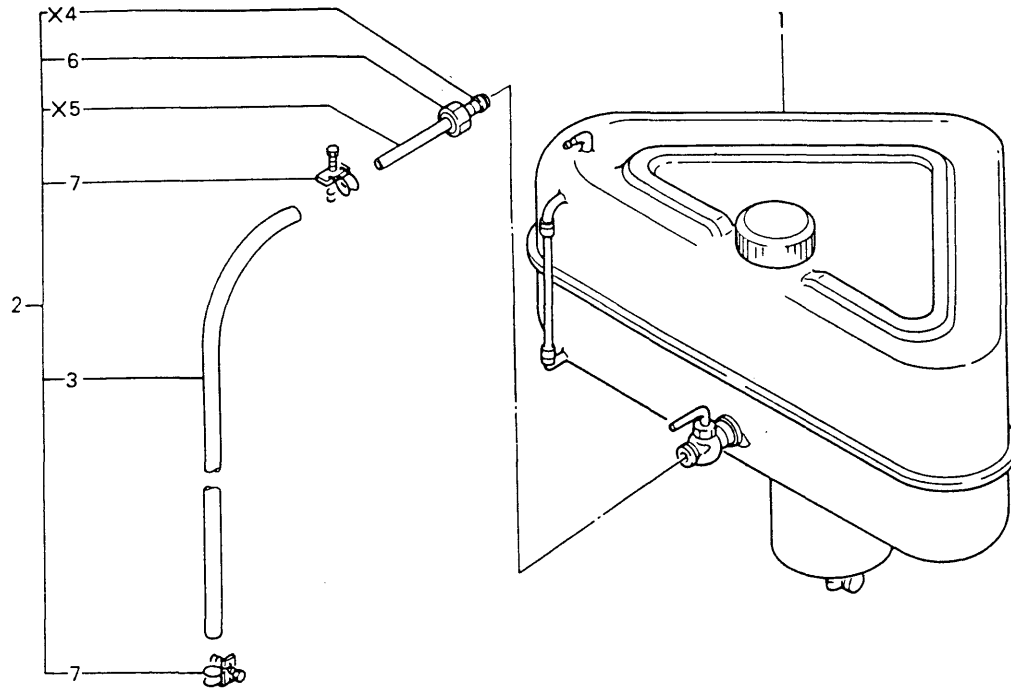
Fig. **72** キングストンコック
 KINGSTON COCK



REF.	LEV.	PARTS NO.	DESCRIPTION	QTY						I	R	
				(A)	(B)	(C)	(D)	(E)	(F)			
1	1	43662-015020	KINGSTON COCK 15A	1		1						
2	1	124223-49050	PIPE A	1		1						
3	1	23000-025000	CLAMP 25	2		2						
4	1	43666-020951	COVER,STRAINER	1		1						
5	1	22724-800380	SCREW 8X38	4		4						

Fig.73.FUEL TANK

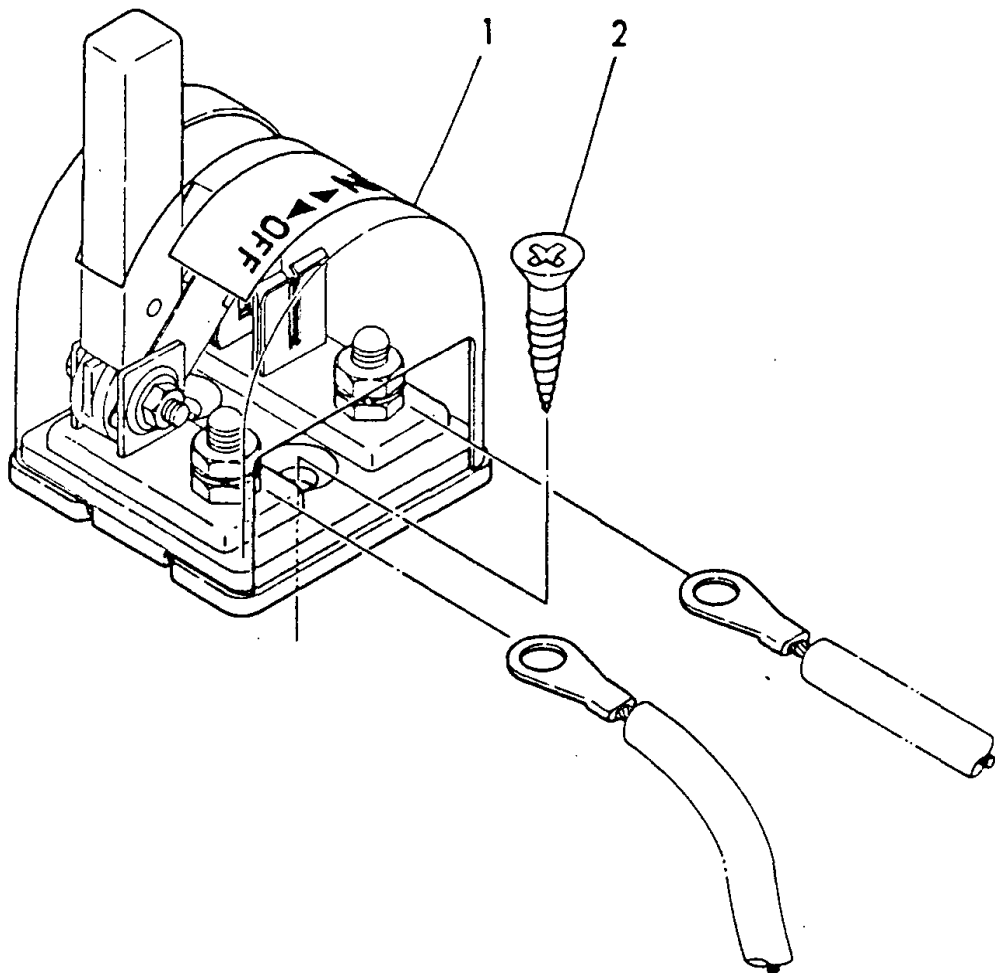
Fig. **73** FOタンク
FUEL TANK



(A)=3HM35 (D)=
(B)=3HM35C (E)=
(C)=3HM35F (F)=

REF.	LEV.	PARTS NO.	DESCRIPTION	QTY						I	R
				(A)	(B)	(C)	(D)	(E)	(F)		
1	1	83213-003012	TANK,FUEL	1	1	1					
2	1	124070-59060	PIPE ASSY.,FUEL	1	1	1					
3	2	124070-59130	PIPE,FUEL	1	1	1					
6	2	138603-59380	CAP NUT	1	1	1					
7	2	23010-014000	CLAMP 14	2	2	2					

Fig. 75 バッテリスイッチ BATTERY SWITCH



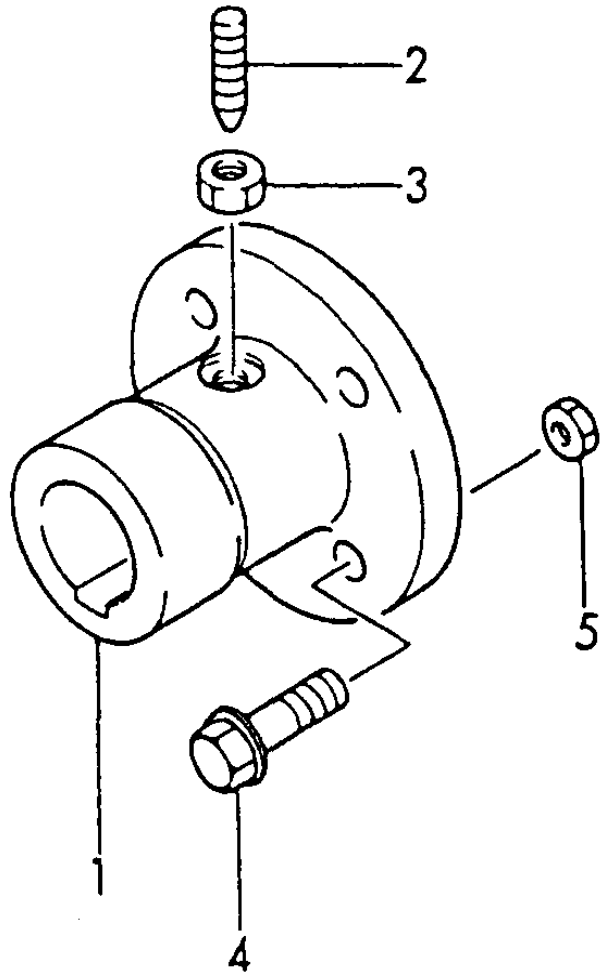
(A)=3HM35 (D)=
(B)=3HM35C (E)=
(C)=3HM35F (F)=

REF.	LEV.	PARTS NO.	DESCRIPTION	QTY						I	R
				(A)	(B)	(C)	(D)	(E)	(F)		
1	1	123310-77640	BATTERY SWITCH	1	1	1					
2	1	22724-800380	SCREW 8X38	2	2	2					

(A)=3HM35 (D)=
 (B)=3HM35C (E)=
 (C)=3HM35F (F)=

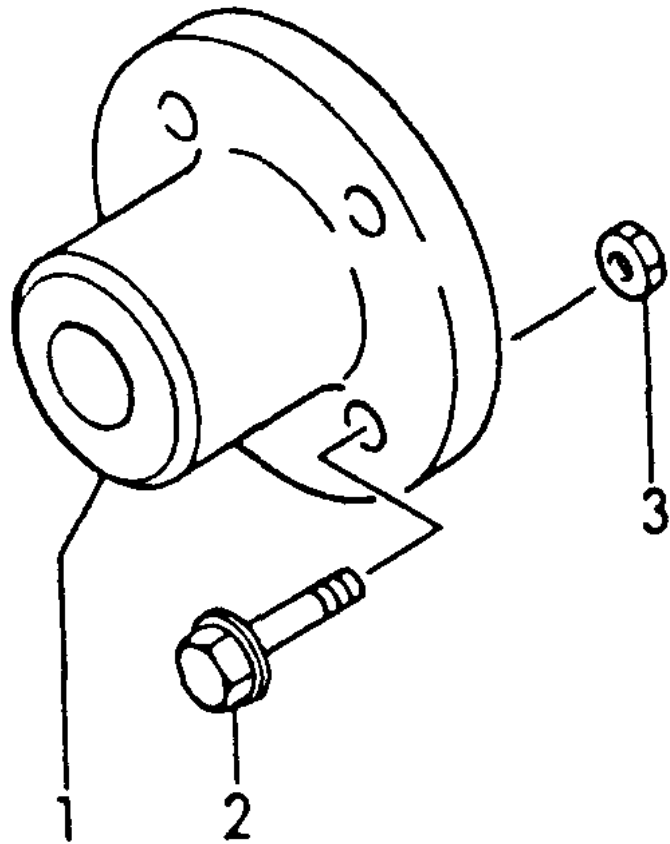
Fig. 76 テーパーカップリング TAPER COUPLING

REF.	LEV.	PARTS NO.	DESCRIPTION	QTY						I	R
				(A)	(B)	(C)	(D)	(E)	(F)		
1	1	48110-032502	TAPER COUPLING 30	1		1					
2	1	48110-032411	LOCK SCREW M 8	1		1					
3	1	26756-080002	LOCK NUT M 8	1		1					
4	1	26106-100322	BOLT M10X32	4		4					
5	1	26706-100002	NUT M10	4		4					



(A)=3HM35 (D)=
 (B)=3HM35C (E)=
 (C)=3HM35F (F)=

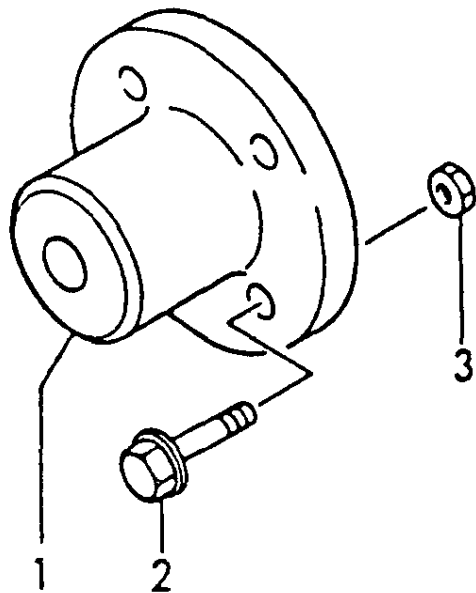
Fig. 77 カップリング COUPLING



REF.	LEV.	PARTS NO.	DESCRIPTION	QTY						I	R	
				(A)	(B)	(C)	(D)	(E)	(F)			
1	1	105583-85900	COUPLING 22	1			1					
2	1	26106-100352	BOLT M10X35	4			4					
3	1	26706-100002	NUT M10	4			4					

(A)=3HM35 (D)=
 (B)=3HM35C (E)=
 (C)=3HM35F (F)=

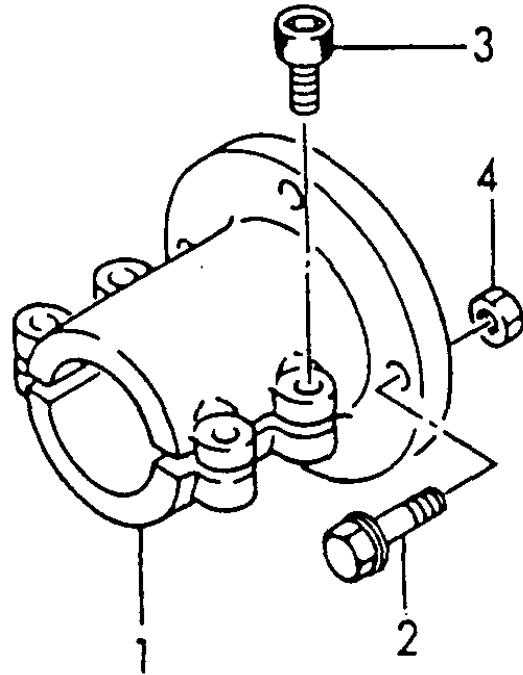
Fig. **78** ストレートカップリング
STRAIGHT COUPLING



REF.	LEV.	PARTS NO.	DESCRIPTION	QTY						I	R	
				(A)	(B)	(C)	(D)	(E)	(F)			
1	1	45414-500260	COUPLING 16,STRAIGHT	1			1					
2	1	26106-100322	BOLT M10X32	4			4					
3	1	26706-100002	NUT M10	4			4					

Fig.79.SLIT COUPLING

Fig. 79 スリットカップリング SLIT COUPLING



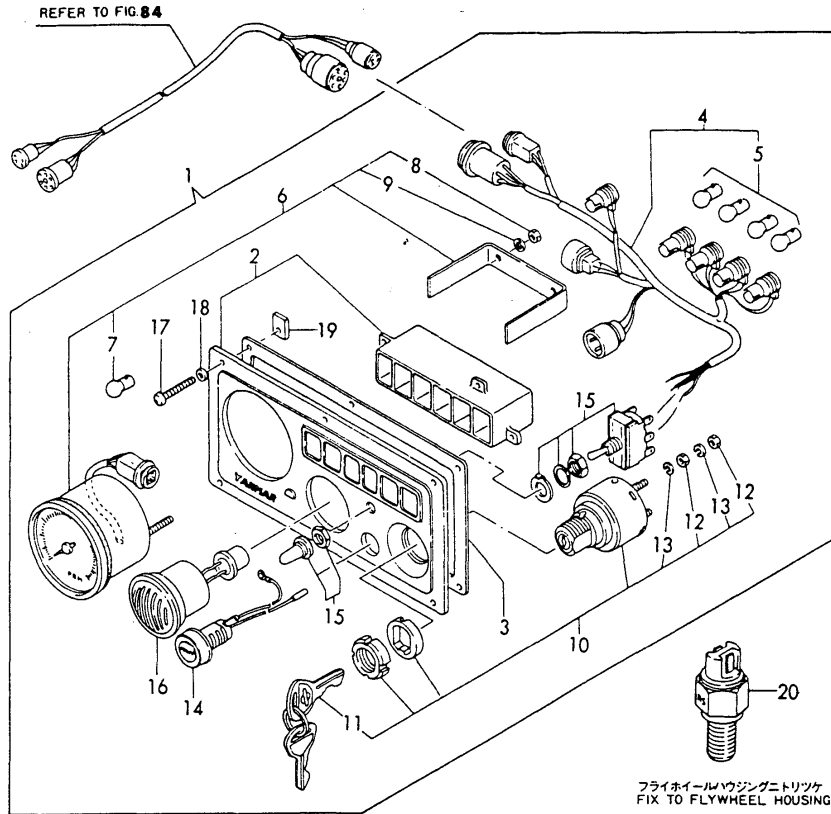
(A)=3HM35 (D)=
(B)=3HM35C (E)=
(C)=3HM35F (F)=

REF.	LEV.	PARTS NO.	DESCRIPTION	QTY						I	R	
				(A)	(B)	(C)	(D)	(E)	(F)			
1	1	104214-83980	COUPLING 20,SLIT	1			1					
2	1	26106-100322	BOLT M10X32	4			4					
3	1	26450-080282	BOLT M 8X28	4			4					
4	1	26706-100002	NUT M10	4			4					

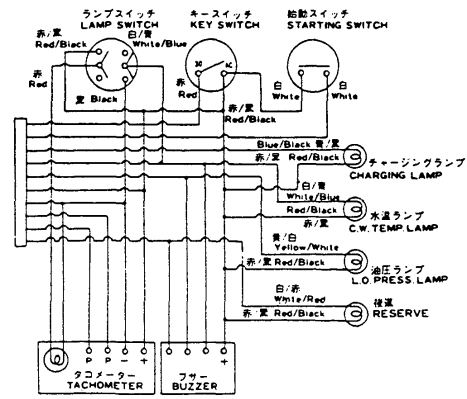
Fig.81.INSTRUMENT PANEL

(A)=3HM35 (D)=
 (B)=3HM35C (E)=
 (C)=3HM35F (F)=

Fig.81 ケイキパン(オオガタ)
 INSTRUMENT PANEL



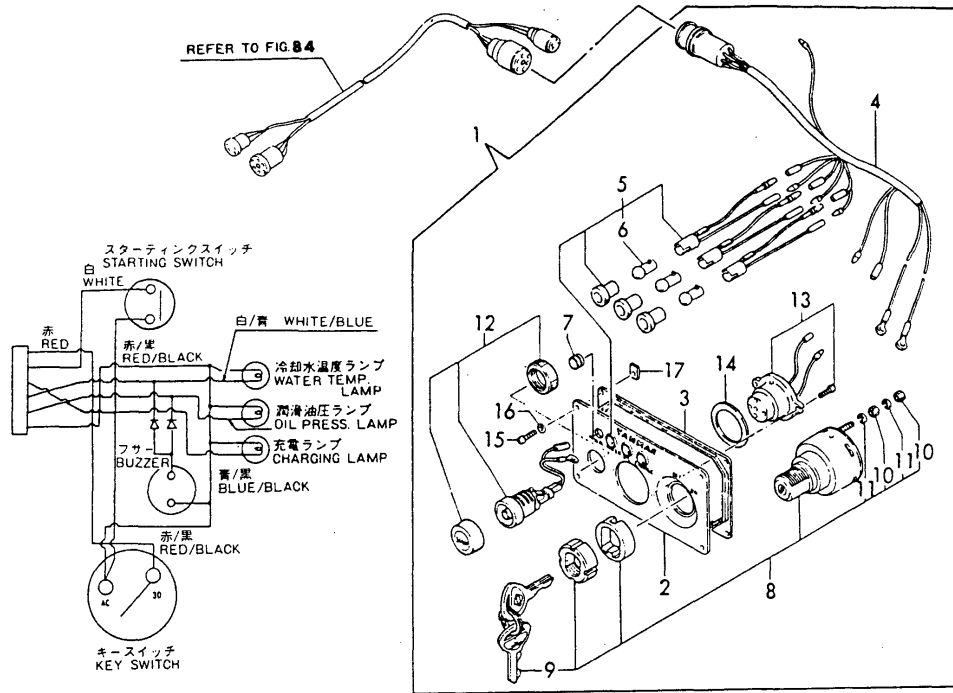
REF.	LEV.	PARTS NO.	DESCRIPTION	QTY						I	R
				(A)	(B)	(C)	(D)	(E)	(F)		
1	1	128670-91001	INSTRUMENT PANEL	1	1	1					
2	2	128170-91010	BODY,PANEL	1	1	1					
3	2	128170-91020	GASKET,PANEL	1	1	1					
4	2	128170-91031	HARNES, WIRE	1	1	1					
5	3	46150-001110	BULB 12V-3W	4	4	4					
6	2	128670-91100	TACHOMETER P114	1	1	1					
7	3	46150-001110	BULB 12V-3W	1	1	1					
8	3	26716-050002	NUT M5	2	2	2					
9	3	22217-050000	SPRING WASHER 5	2	2	2					
10	2	124070-91250	SWITCH W/KEY	1	1	1					
11	3	124070-91290	KEY	1	1	1					
12	3	26716-050002	NUT M5	4	4	4					
13	3	22217-050000	SPRING WASHER 5	4	4	4					
14	2	124070-91300	SWITCH,PUSH BUTTON	1	1	1					
15	2	128170-91310	SWITCH,LUMP	1	1	1					
16	2	104271-91351	BUZZER,ALARM	1	1	1					
17	2	128170-91810	SCREW M5X35	6	6	6					
18	2	128170-91820	WASHER 5	6	6	6					
19	2	128170-91830	PLATE NUT M5	6	6	6					
20	1	128170-91160	SENDER,TACHOMETOR	1	1	1					



(A)=3HM35 (D)=
 (B)=3HM35C (E)=
 (C)=3HM35F (F)=

Fig.82.INSTRUMENT PANEL

Fig.82 ケイキバン(コガタ) INSTRUMENT PANEL

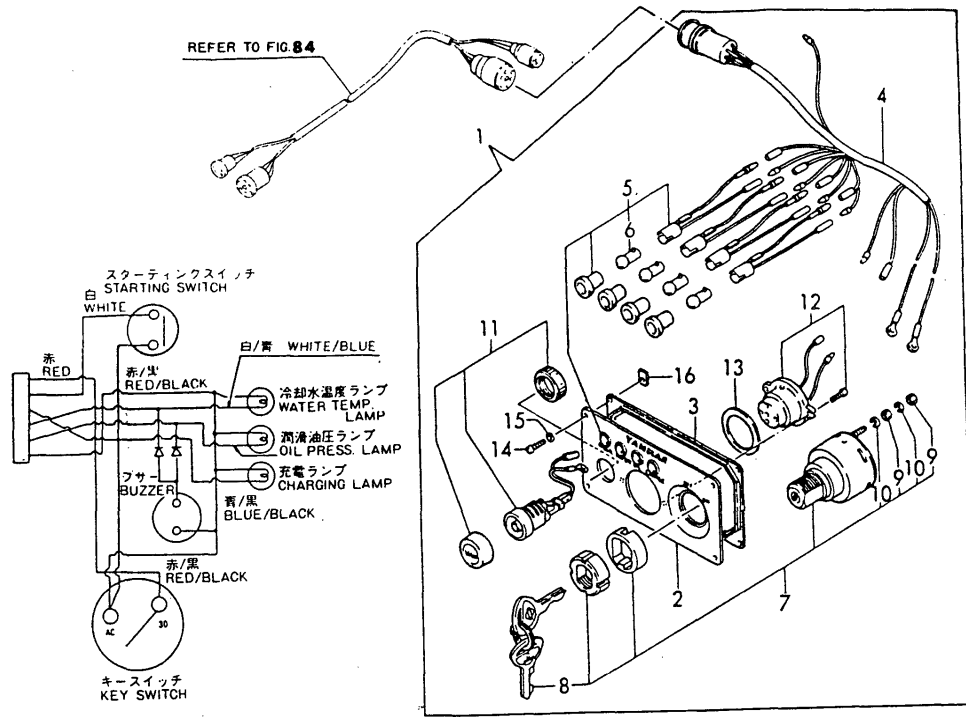


REF.	LEV.	PARTS NO.	DESCRIPTION	QTY						I	R
				(A)	(B)	(C)	(D)	(E)	(F)		
1	1	128270-91001	INSTRUMENT PANEL	1	1						
2	2	128270-91010	BODY,PANEL	1	1						
3	2	128270-91020	GASKET,PANEL	1	1						
4	2	128270-91031	HARNES, WIRE	1	1						
5	2	128270-91040	LAMP,PIROT	3	3						
6	3	46150-001110	BULB 12V-3W	3	3						
7	2	128270-91230	COVER,BLIND	1	1						
8	2	124070-91250	SWITCH W/KEY	1	1						
9	3	124070-91290	KEY	1	1						
10	3	26716-050002	NUT M5	4	4						
11	3	22217-050000	SPRING WASHER 5	4	4						
12	2	124070-91300	SWITCH,PUSH BOTTON	1	1						
13	2	128270-91350	BUZZER,ALARM	1	1						
14	2	128270-91360	GASKET,BZZER	1	1						
15	2	128170-91810	SCREW M5X35	4	4						
16	2	128170-91820	WASHER 5	4	4						
17	2	128170-91830	PLATE NUT M5	4	4						

(A)=3HM35 (D)=
 (B)=3HM35C (E)=
 (C)=3HM35F (F)=

Fig.83.INSTRUMENT PANEL

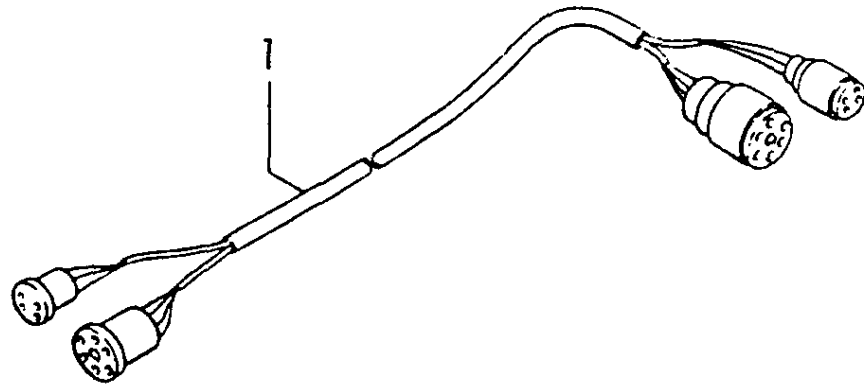
Fig. 83 ケイキバン(コガタ)
 INSTRUMENT PANEL



REF.	LEV.	PARTS NO.	DESCRIPTION	QTY						I	R
				(A)	(B)	(C)	(D)	(E)	(F)		
1	1	128371-91000	INSTRUMENT PANEL		1						
2	2	128270-91010	BODY,PANEL		1						
3	2	128270-91020	GASKET,PANEL		1						
4	2	128371-91030	HARNES, WIRE		1						
5	2	128270-91040	LAMP,PIROT		4						
6	3	46150-001110	BULB 12V-3W		4						
7	2	124070-91250	SWITCH W/KEY		1						
8	3	124070-91290	KEY		1						
9	3	26716-050002	NUT M5		4						
10	3	22217-050000	SPRING WASHER 5		4						
11	2	124070-91300	SWITCH,PUSH BOTTON		1						
12	2	128270-91350	BUZZER,ALARM		1						
13	2	128270-91360	GASKET,BZZER		1						
14	2	128170-91810	SCREW M5X35		4						
15	2	128170-91820	WASHER 5		4						
16	2	128170-91830	PLATE NUT M5		4						

(A)=3HM35 (D)=
(B)=3HM35C (E)=
(C)=3HM35F (F)=

Fig.84 エクステンションコード
EXTENSION WIRE

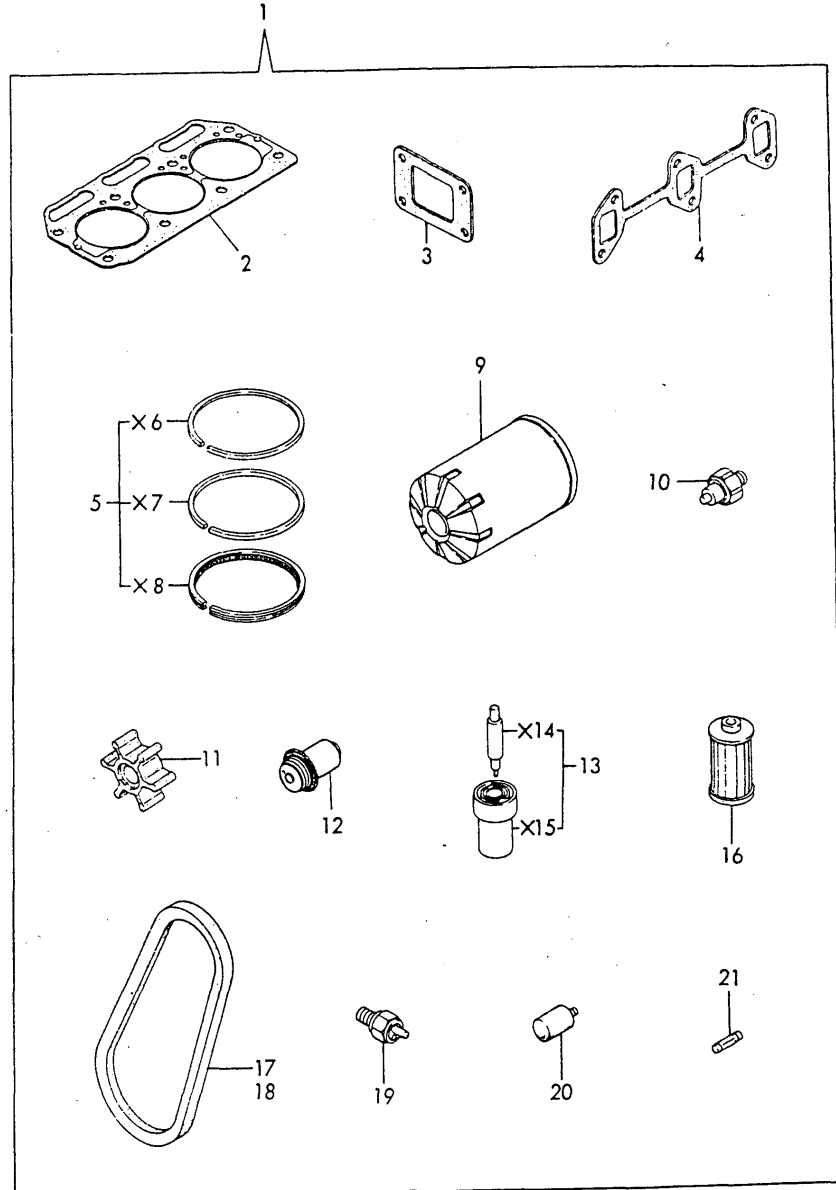


REF.	LEV.	PARTS NO.	DESCRIPTION	Q'TY						I	R
				(A)	(B)	(C)	(D)	(E)	(F)		
1	1	128170-77500	WIRE,EXTENSION	1	1	1					

(A)=3HM35 (D)=
 (B)=3HM35C (E)=
 (C)=3HM35F (F)=

Fig.85.REPAIR SET

Fig. **85** スペアパーツ REPAIR SET

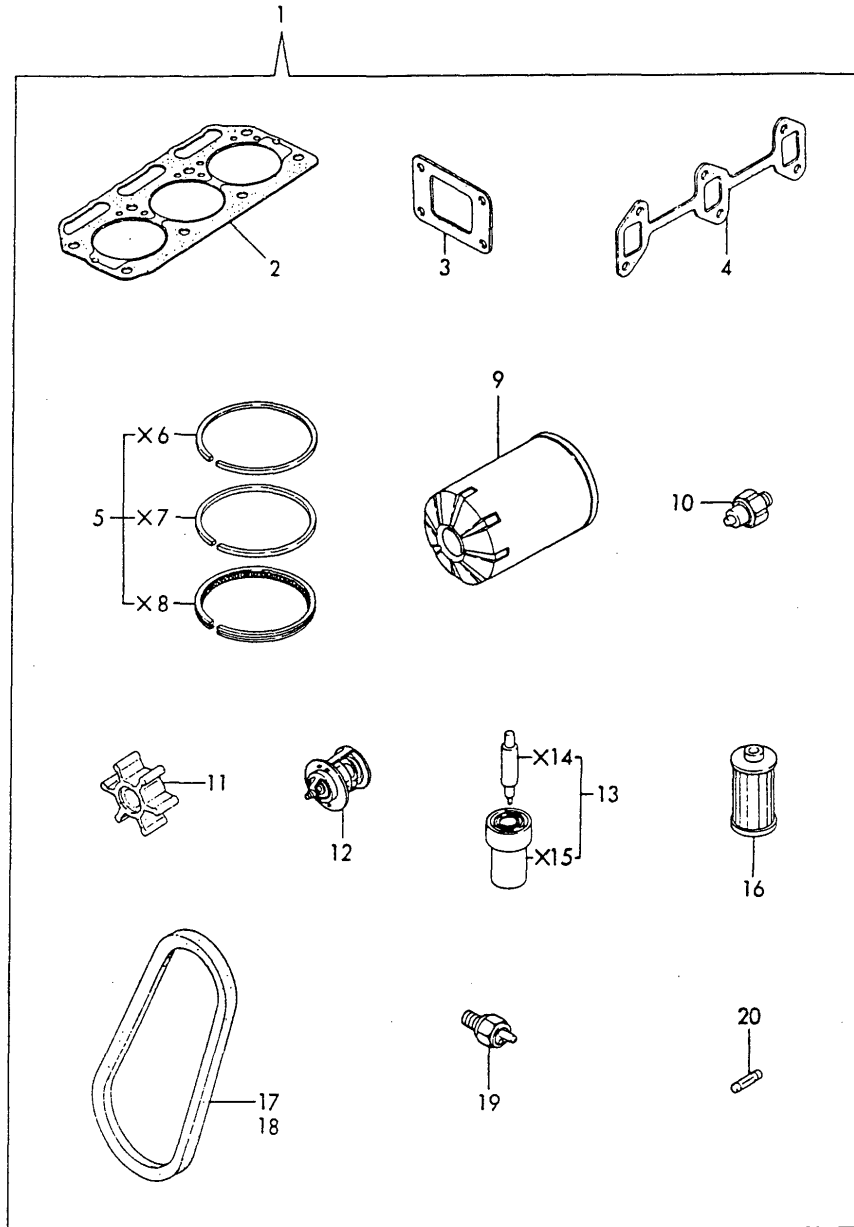


REF.	LEV.	PARTS NO.	DESCRIPTION	QTY						I	R
				(A)	(B)	(C)	(D)	(E)	(F)		
1	1	728671-92500	REPAIR SET	1	1						
2	2	128671-01330	GASKET, CYL. HEAD	1	1						
3	2	128370-13200	GASKET	1	1						
4	2	121550-13520	GASKET, MANIFOLD	1	1						
5	2	728671-22500	RING SET, PISTON	3	3						
9	2	124550-35110	STRAINER, LUB. OIL	1	1						
10	2	124060-39451	SWITCH, OIL PRESS.	1	1						
11	2	124223-42091	IMPELLER	1	1						
12	2	105582-49200	THERMOSTAT	2	2						
13	2	124770-53000	VALVE W/CASE, FUEL	3	3						
16	2	104500-55710	ELEMENT	1	1						
17	2	123672-77370	V-BELT A:32INCH	1	1						
18	2	104511-78780	V-BELT M:19INCH	1	1						
19	2	128275-91340	SWITCH 65C, THERMO.	1	1						
20	2	27210-200300	ZINC, ANTI-CORROSIVE	3	3						
21	2	29411-300000	FUSE 30A	1	1						

(A)=3HM35 (D)=
 (B)=3HM35C (E)=
 (C)=3HM35F (F)=

Fig.86.REPAIR SET

Fig. **86** スペアパーツ
 REPAIR SET

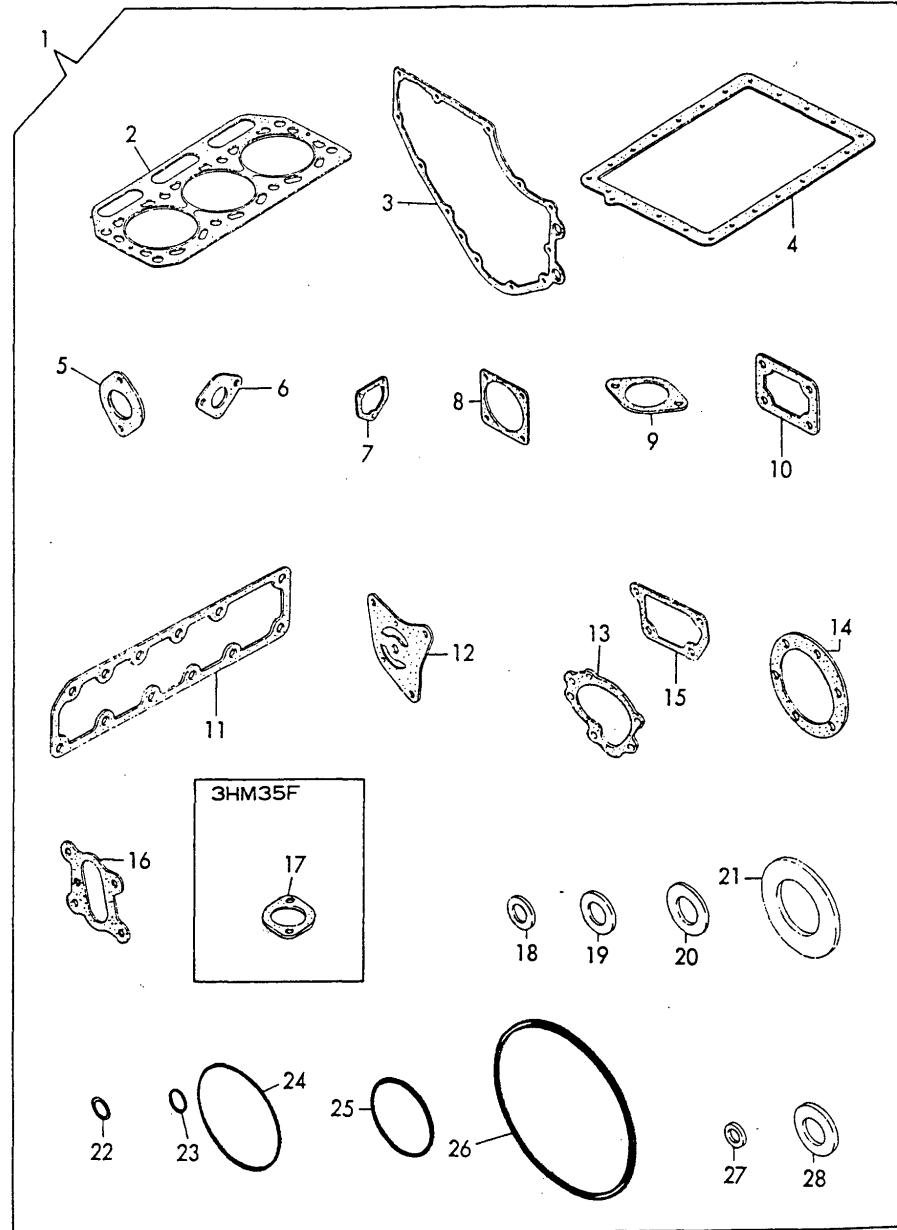


REF.	LEV.	PARTS NO.	DESCRIPTION	QTY						I	R	
				(A)	(B)	(C)	(D)	(E)	(F)			
1	1	728691-92500	REPAIR SET									
2	2	128671-01330	GASKET, CYL. HEAD									1
3	2	128370-13200	GASKET									1
4	2	121550-13520	GASKET, MANIFOLD									1
5	2	728671-22500	RING SET, PISTON									3
9	2	124550-35110	STRAINER, LUB. OIL									1
10	2	124060-39451	SWITCH, OIL PRESS.									1
11	2	124223-42091	IMPELLER									1
12	2	121750-49800	THERMOSTAT 71C									1
13	2	124770-53000	VALVE W/CASE, FUEL									3
16	2	104500-55710	ELEMENT									1
17	2	121252-42290	V-BELT A:40INCH									1
18	2	104500-55710	V-BELT A:19INCH									1
19	2	127610-91350	SWITCH, THERMO.									1
20	2	29411-300000	FUSE 30A									1

(A)=3HM35 (D)=
 (B)=3HM35C (E)=
 (C)=3HM35F (F)=

Fig.87.GASKET SET

Fig.87 パッキンセット
 GASKET SET

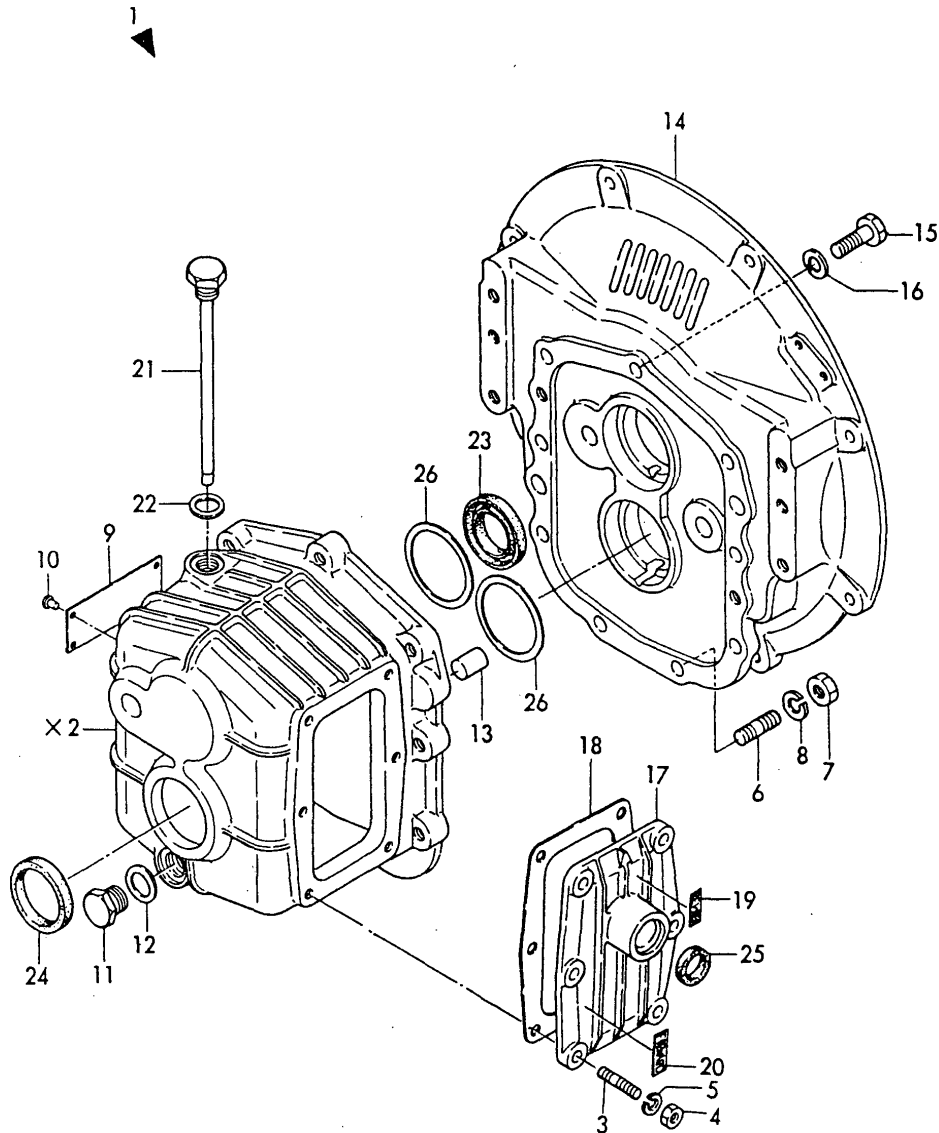


REF.	LEV.	PARTS NO.	DESCRIPTION	QTY						I	R
				(A)	(B)	(C)	(D)	(E)	(F)		
1	1	728670-92601	GASKET KIT	1	1	1					
2	2	128671-01330	GASKET, CYL. HEAD	1	1	1					
3	2	121575-01510	GASKET,GEARS HOUSING	1	1	1					
4	2	121575-01750	GASKET,LUB.OIL SUMP	1	1	1					
5	2	128695-01840	GASKET,COVER	1	1	1					
6	2	121520-01850	GASKET,FEED PUMP	1	1	1					
7	2	121575-01860	GASKET,COVER	1	1	1					
8	2	124240-01882	GASKET	1	1	1					
9	2	121450-03071	GASKET	1	1	1					
10	2	121450-11680	GASKET	1	1	1					
11	2	128670-13180	GASKET	1	1	1					
12	2	121450-32021	GASKET,LUB.OIL PUMP	1	1	1					
13	2	121000-42051	GASKET	1	1	1					
14	2	124223-42110	GASKET	1	1	1					
15	2	121450-44410	GASKET,MOUNT	1	1	1					
16	2	121575-49160	GASKET	1	1						
17	2	129350-49540	GASKET						1		
18	2	23414-080000	GASKET 8	20	20	20					
19	2	23414-100000	GASKET 10	5	5	5					
20	2	23414-120000	GASKET 12	20	20	20					
21	2	23414-250000	GASKET 25	5	5	5					
22	2	24311-000100	O-RING 1A P 10.0	2	2	2					
23	2	24311-000160	O-RING 1A P 16.0	1	1	1					
24	2	24311-000700	O-RING 1A P 70.0	2	2	2					
25	2	24321-000350	O-RING 1A G 35.0	1	1	1					
26	2	24341-001350	O-RING 1A S135.0	1	1	1					
27	2	43400-500390	SEAL WASHER 6S	2	2	2					
28	2	43400-500450	SEAL WASHER 12S	2	2	2					

Fig.88.CLUTCH HOUSING

(A)=KBW10-E (D)=
 (B)= (E)=
 (C)= (F)=

Fig. 88 クラッチケース
 CLUTCH HOUSING

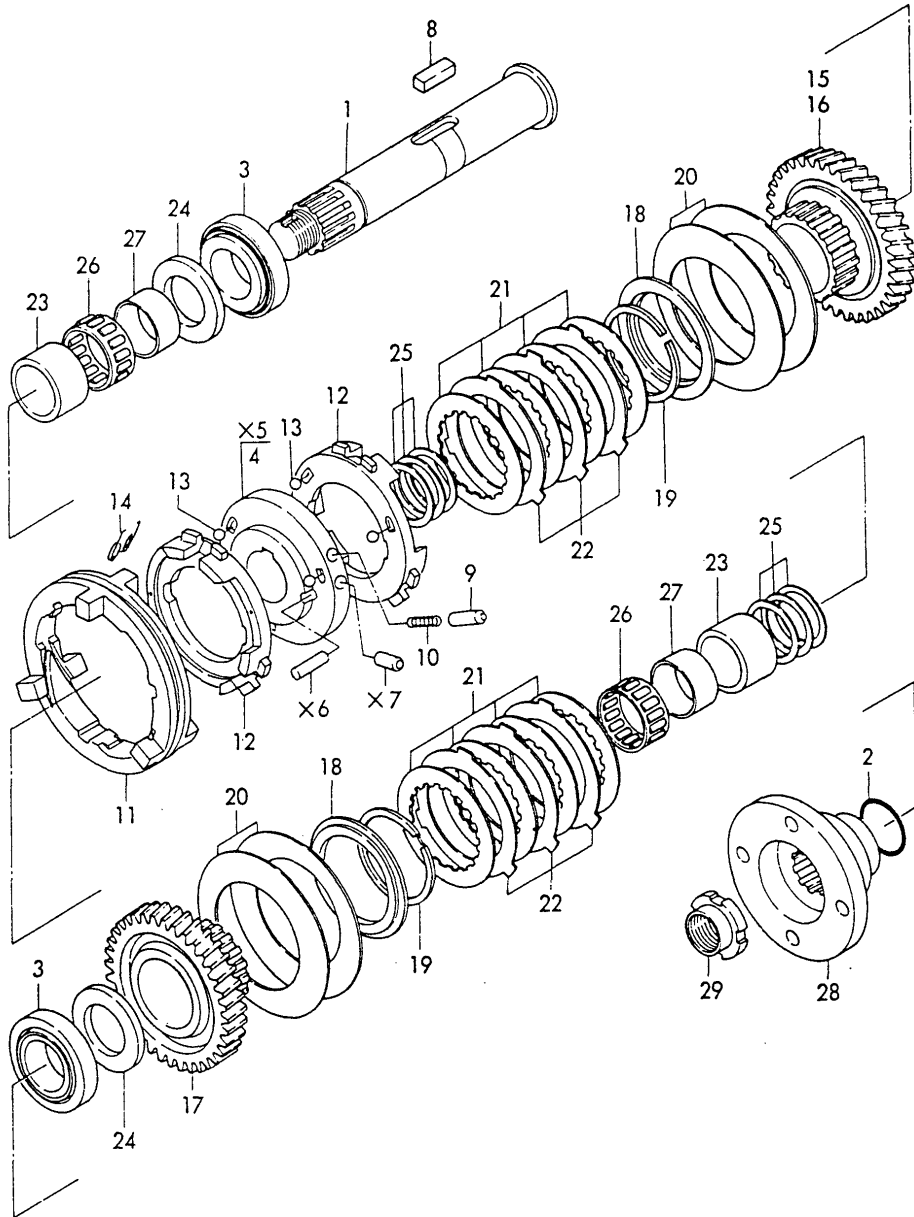


REF.	LEV.	PARTS NO.	DESCRIPTION	QTY						I	R
				(A)	(B)	(C)	(D)	(E)	(F)		
1	1	777099-02550	HOUSING ASSY,CLUTCH	1							
3	2	26286-080222	STUD M 8X22	6							
4	2	26716-080002	NUT M 8	6							
5	2	22287-080000	WASHER 8	6							
6	2	26223-100222	STUD M10X22	4							
7	2	26703-100002	NUT M10	4							
8	2	22133-100000	WASHER 10	4							
9	2	177099-02421	LABEL	1							
10	2	102210-07990	RIBET	4							
11	2	23884-160002	PLUG M16	1							
12	2	23414-160021	GASKET 16	1							
13	2	177099-02130	PARALLEL PIN	2							
14	2	177080-02030	FLANGE,MOUNTING	1							
15	1	26116-100302	BOLT M10X30	9							
16	1	22287-100000	SPRING WASHER 10	5							
17	1	177099-02081	COVER,SIDE	1							
18	1	177099-02091	GASKET, SIDE	1							
19	1	177090-02630	LABEL,ASTERN	1							
20	1	177090-02620	LABEL	1							
21	1	177099-02450	CAP W/DIPSTICK,OIL	1							
22	1	23414-160021	GASKET 16	1							
23	1	177099-02950	OIL SEAL,TC30528	1							
24	1	177099-02960	OIL SEAL,TC40528	1							
25	1	177095-02980	OIL SEAL,SD20264	1							
26	1	177099-02250	SHIM SET	2							

(A)=KBW10-E (D)=
 (B)= (E)=
 (C)= (F)=

Fig.90.OUTPUT SHAFT

Fig.90 スイリヨクジク
 OUTPUT SHAFT

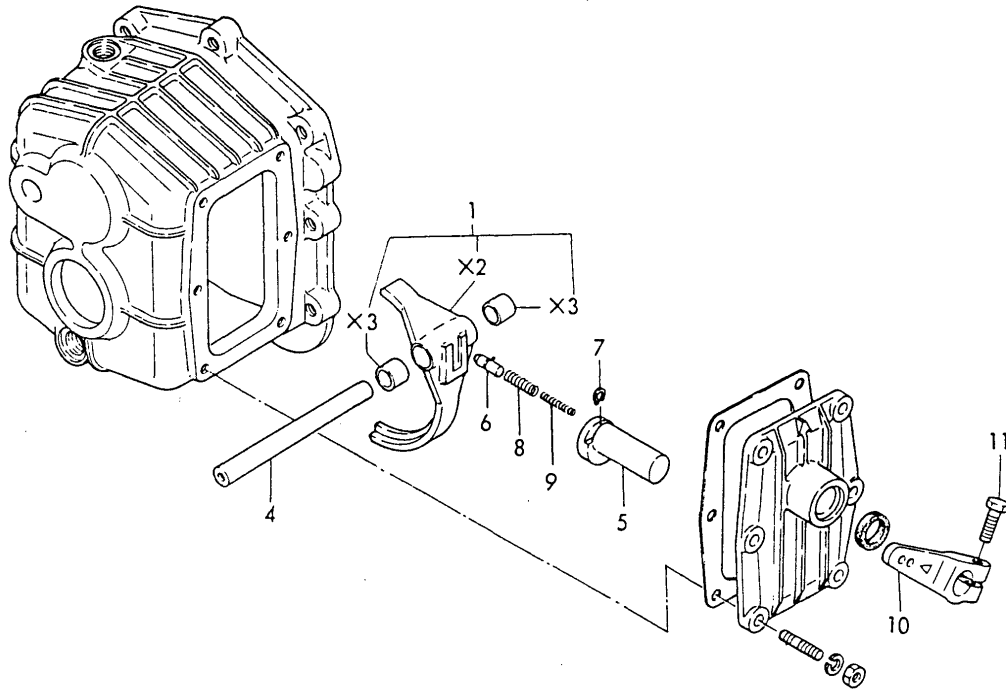


REF.	LEV.	PARTS NO.	DESCRIPTION	QTY						I	R
				(A)	(B)	(C)	(D)	(E)	(F)		
1	1	177099-03021	SHAFT	1							
2	1	24341-000300	O-RING 1A S30.0	1							
3	1	177099-03920	ROLLER BEARING	2							
4	1	177099-03040	PLATE ASSY, DRIVING	2							
8	1	177090-03230	KEY	1							
9	1	177095-03190	KNOCK PIN	3							
10	1	177095-03200	SPRING	3							
11	1	177099-03070	RING, SHIFTING	1							
12	1	177099-03080	PLATE, PRESSURE	2							
13	1	177090-03180	BALL(8MM)	6							
14	1	177095-03210	SPRING, RETURN	3							
15	1	177099-03101	GEAR(Z=47),AHEAD	1							
16	1	177099-03431	GEAR(Z=51),AHEAD	1							
17	1	177099-03111	GEAR(Z=45),ASTERN	1							
18	1	177090-03110	RETAINER	2							
19	1	177095-03280	CIRCLIP	2							
20	1	177090-03121	SPRING,DISC	2							
21	1	177090-03080	DISC, FRICTION	8							
22	1	177090-03090	PLATE,STEEL	6							
23	1	177099-03161	SPACER	2							
24	1	177090-03270	WASHER, THRUST	2							
25	1	177095-03800	SHIM SET	2							
26	1	177095-03900	NEEDLE BEARING	2							
27	1	177099-03470	RACE, INNER	2							
28	1	177099-03550	COUPLING, OUTPUT	1							
29	1	177099-03540	LOCK NUT	1							

(A)=KBW10-E (D)=
 (B)= (E)=
 (C)= (F)=

Fig.91.REMOTE CONTROL DEVICE

Fig. **91** ソウジュウソウチ
 REMOTE CONTROL DEVICE

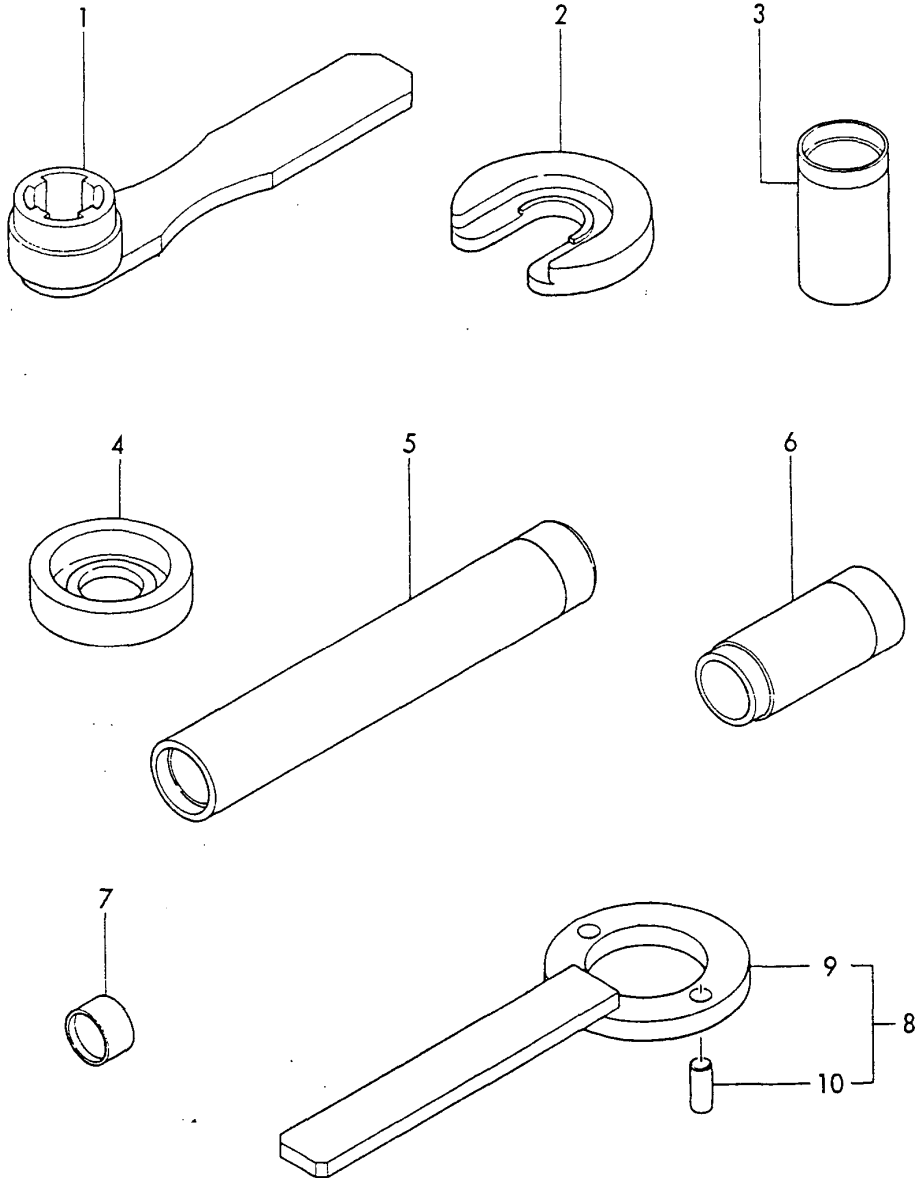


REF.	LEV.	PARTS NO.	DESCRIPTION	QTY						I	R
				(A)	(B)	(C)	(D)	(E)	(F)		
1	1	177099-06010	FORK ASSY, SHIFT	1							
4	1	177099-06041	SHAFT,SHIFT	1							
5	1	177095-06030	CAM,SHIFT	1							
6	1	177095-06050	PIN	1							
7	1	177095-06140	CIRCRIP	1							
8	1	177095-03200	SPRING(A)	1							
9	1	177095-06060	SPRING(B)	1							
10	1	177095-06040	LEVER,OPERATION	1							
11	1	26116-080252	BOLT M8X25	1							

(A)=KBW10-E (D)=
 (B)= (E)=
 (C)= (F)=

Fig.92.TOOLS(OPTIONAL PARTS)

Fig. **92** コウグ(トクベツチュウモンブヒン)
 TOOLS (OPTIONAL PARTS)



REF.	LEV.	PARTS NO.	DESCRIPTION	QTY						I	R
				(A)	(B)	(C)	(D)	(E)	(F)		
1	1	177099-09010	WRENCH	1							
2	1	177099-09030	BRACKET	1							
3	1	177095-09070	RETAINER	1							
4	1	177090-09010	SPACER	1							
5	1	177095-09020	TOOL	1							
6	1	177099-09040	TOOL	1							
7	1	177095-09170	BRACKET	1							
8	1	177099-09080	STOPPER ASSY.	1							
9	2	177099-09020	STOPPER	1							
10	2	22312-100200	PARALLEL PIN 10X20	2							